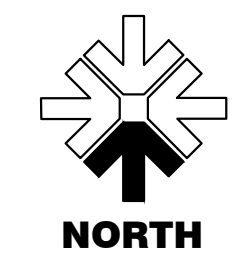
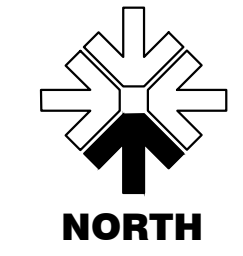
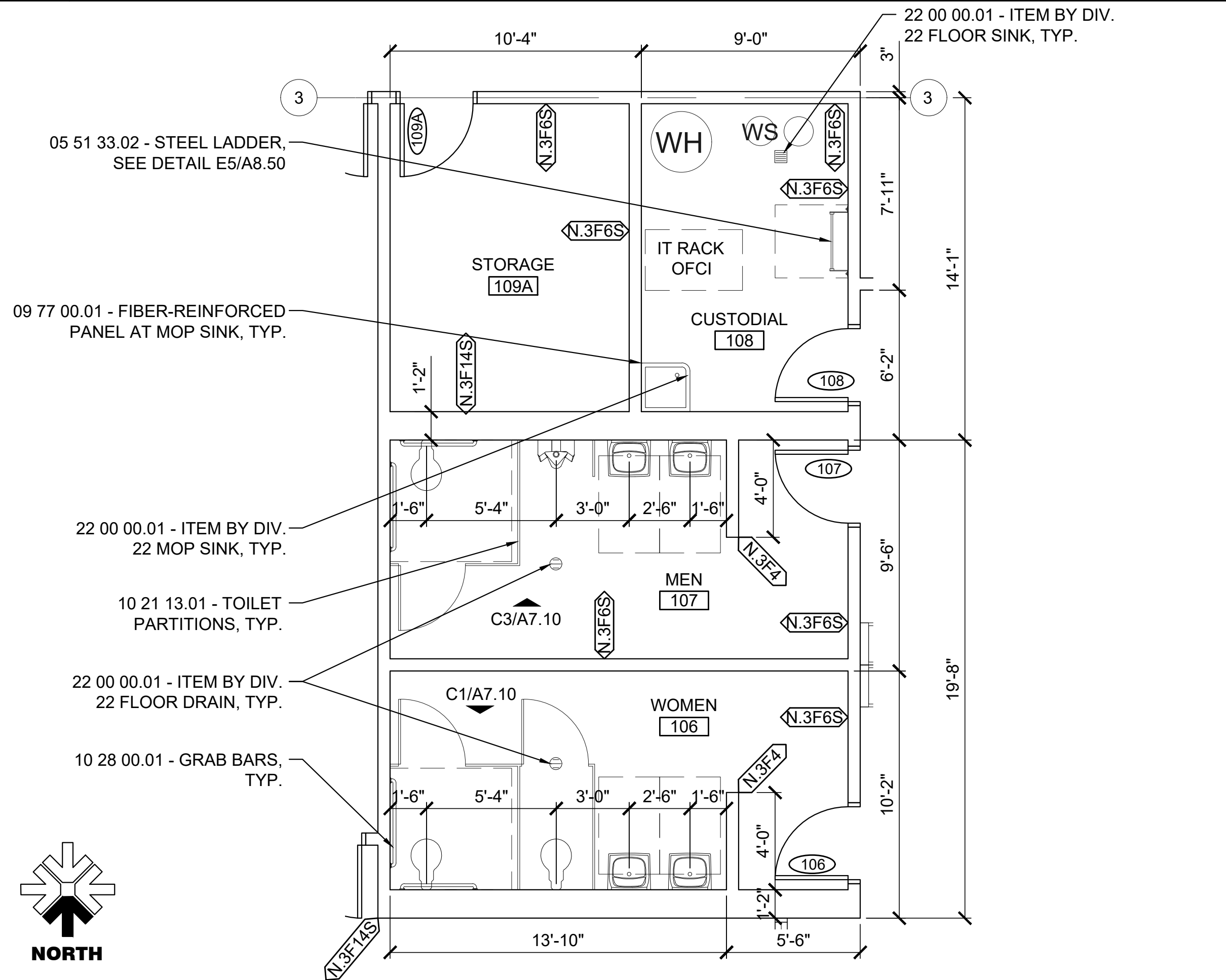


SHEET NOTES

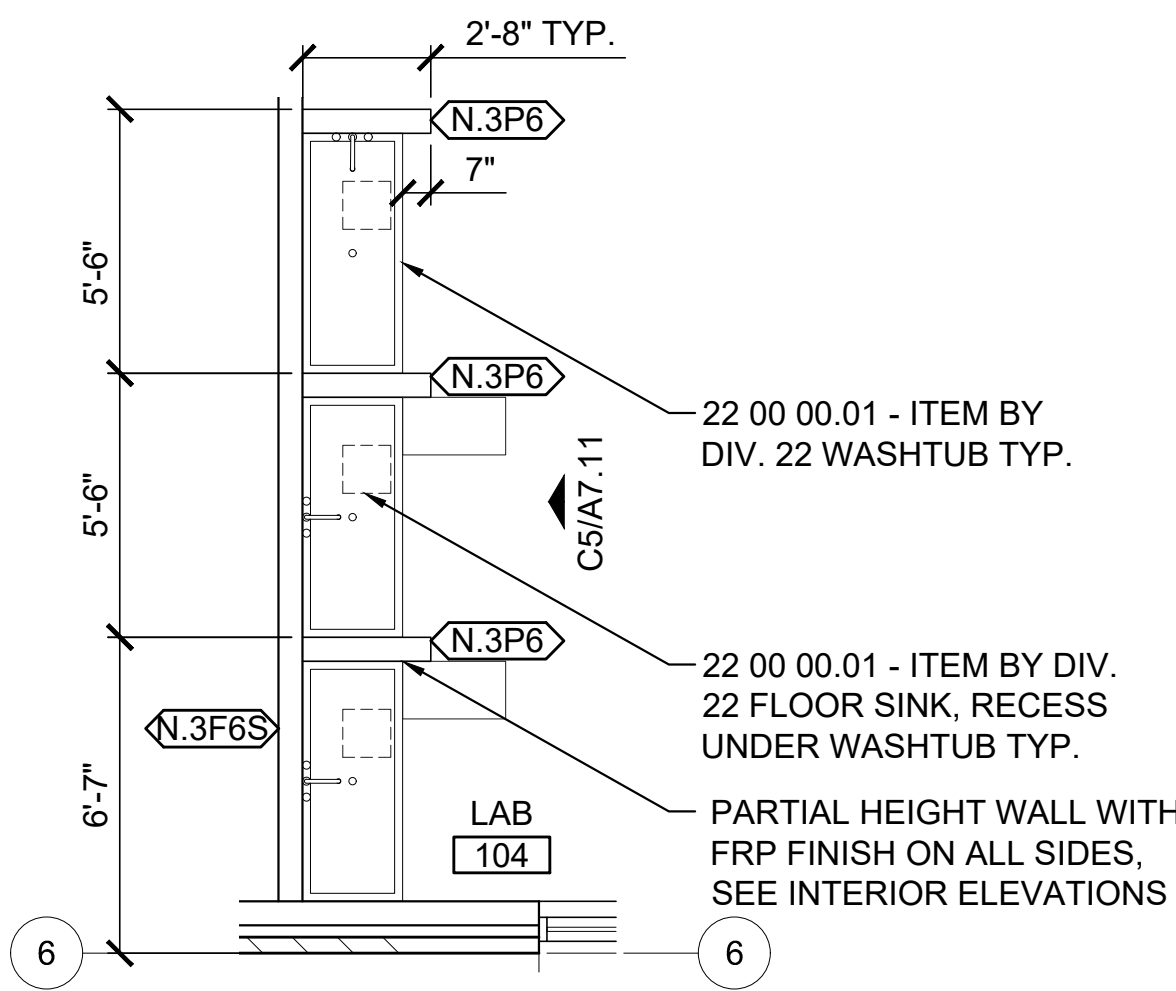
- SEE SHEET G1.00 FOR SYMBOLS & ABBREVIATIONS.
- PROVIDE SOLID WOOD BLOCKING AS REQUIRED TO SUPPORT WALL HUNG EQUIPMENT, GRAB BARS, RAILINGS AND OTHER ACCESSORIES TO REQUIRE SUPPORT. VERIFY LOCATIONS PRIOR TO INSTALLATION OF GYPSUM BOARD. SEE E3/A8.50 AND F1/A8.50.
- DOORS AND CASED OPENINGS WITHOUT LOCATION DIMENSIONS ARE TO BE 3" FROM ADJACENT PARTITION.
- DIMENSIONS ARE FROM FACE OF STUD OR FACE OF CONCRETE U.N.O.
- INTERIOR WALL ASSEMBLIES SHALL BE FULL HEIGHT TO UNDERSIDE OF DECK ABOVE U.N.O.
- CONCEAL ALL EQUIPMENT, DEVICES AND PATHWAYS IN NEW CONSTRUCTION WITHIN PROJECT AREA.
- COORDINATE MECHANICAL & ELECTRICAL EQUIPMENT BLOCK-OUT LOCATIONS & THRU-WALL PENETRATIONS FOR GYPSUM BOARD & CMU WALLS. SEE MECHANICAL & ELECTRICAL SHEETS
- SEE SHEETS A3.41 FOR FLOOR FINISHES.
- FLASH/WRAP ALL EXTERIOR OPENINGS THAT PENETRATE THE BUILDING ENVELOPE. SEE DETAIL E5/A6.10.
- PROVIDE CMU CONTROL JOINTS AS NOTED ON EXTERIOR ELEVATION. REFERENCE DETAIL E7/A8.40.
- SEE C9/A8.00 FOR WALL & PARTITION HEAD TYPES.
- PROVIDE CONTINUOUS AIR BARRIER EXTENDING FROM SLAB TO ROOF AT ALL EXTERIOR WALLS.
- COORDINATE COLUMN LOCATIONS WITH STRUCTURAL.



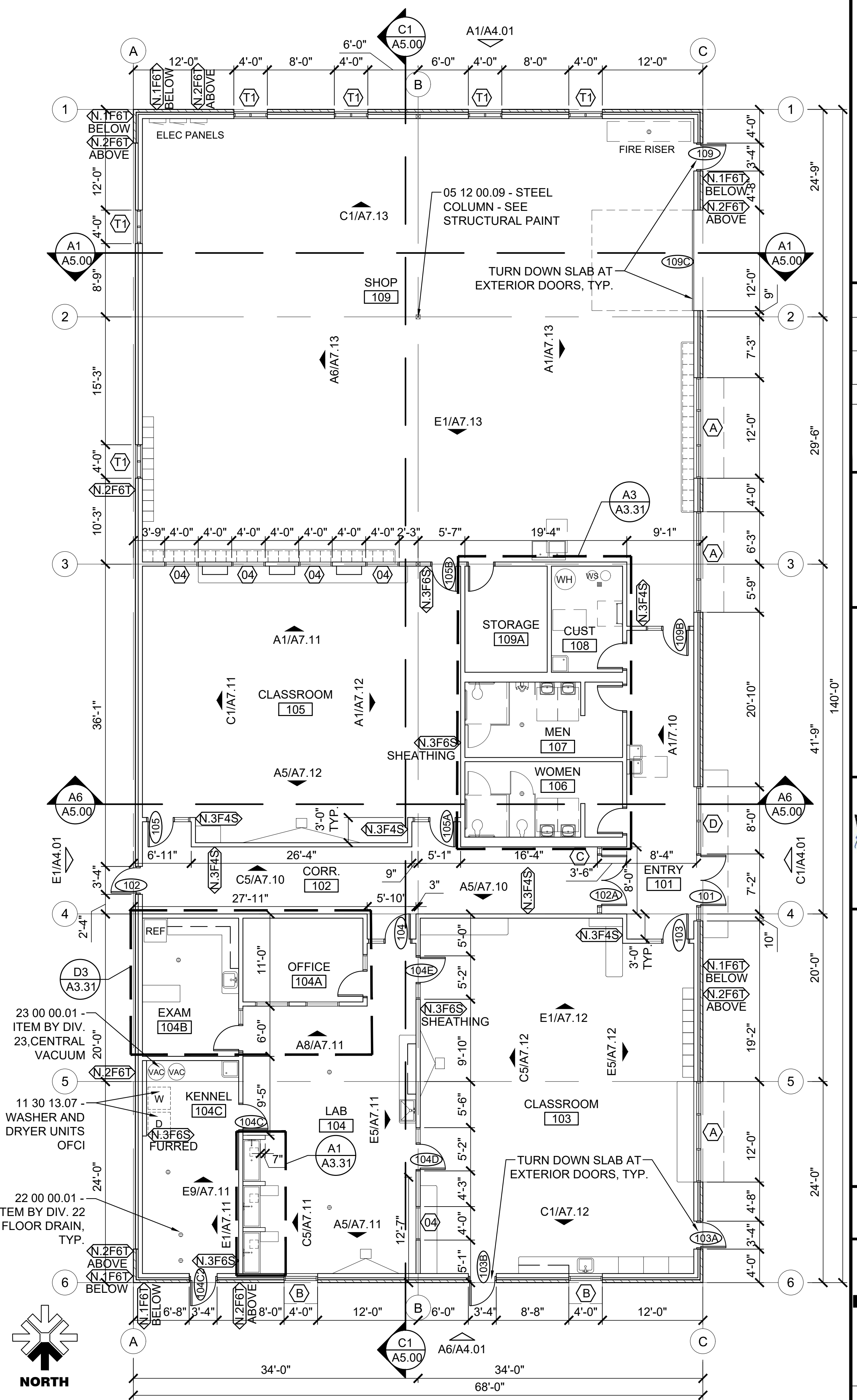
D3 ENLARGED FLOOR PLAN
SCALE: 1/4" = 1'-0"



A3 ENLARGED FLOOR PLAN
SCALE: 1/4" = 1'-0"



A1 ENLARGED FLOOR PLAN
SCALE: 1/4" = 1'-0"



A7 FIRST FLOOR PLAN
SCALE: 1/8" = 1'-0"

DESIGN WEST
ARCHITECTS, P.A.
• MERIDIAN, IDAHO • PULLMAN, WASHINGTON •
• KENNEWICK, WASHINGTON • OREGON

DRAWN BY
GH, ASG, AR

CHECKED BY
BW

JOB NUMBER
22029

REVISIONS

REGISTERED ARCHITECT
BRANDON D. WILM
STATE OF WASHINGTON

TRI-TECH EAST - BLDG C
PHASE 1.5

5929 WEST METALINE
KENNEWICK, WASHINGTON 99336

DATE
06/28/2022

SHEET NAME
FIRST FLOOR PLAN

SHEET
A3.31