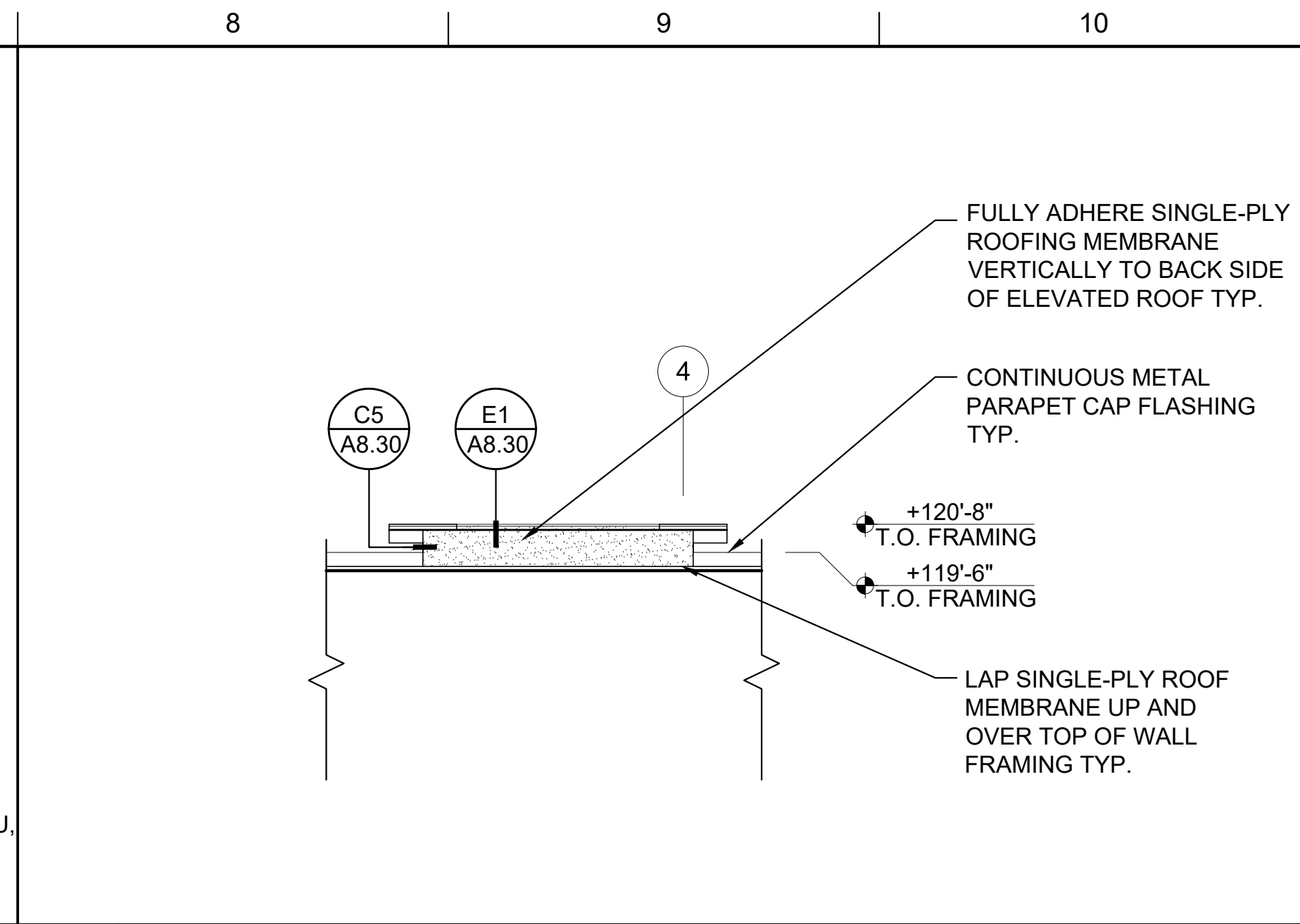
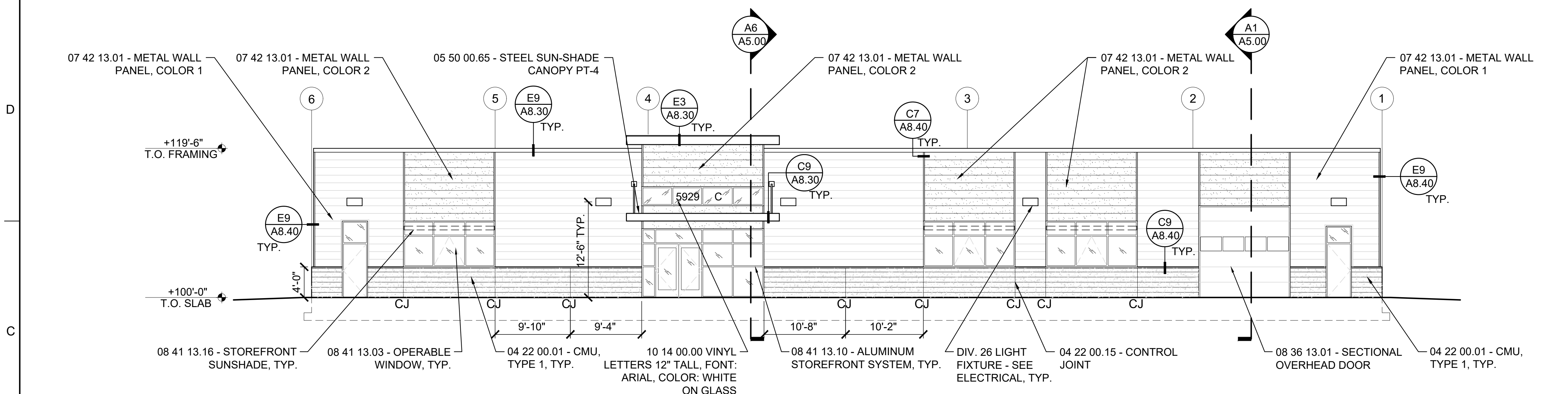


E1 WEST ELEVATION
SCALE: 1/8" = 1'-0"



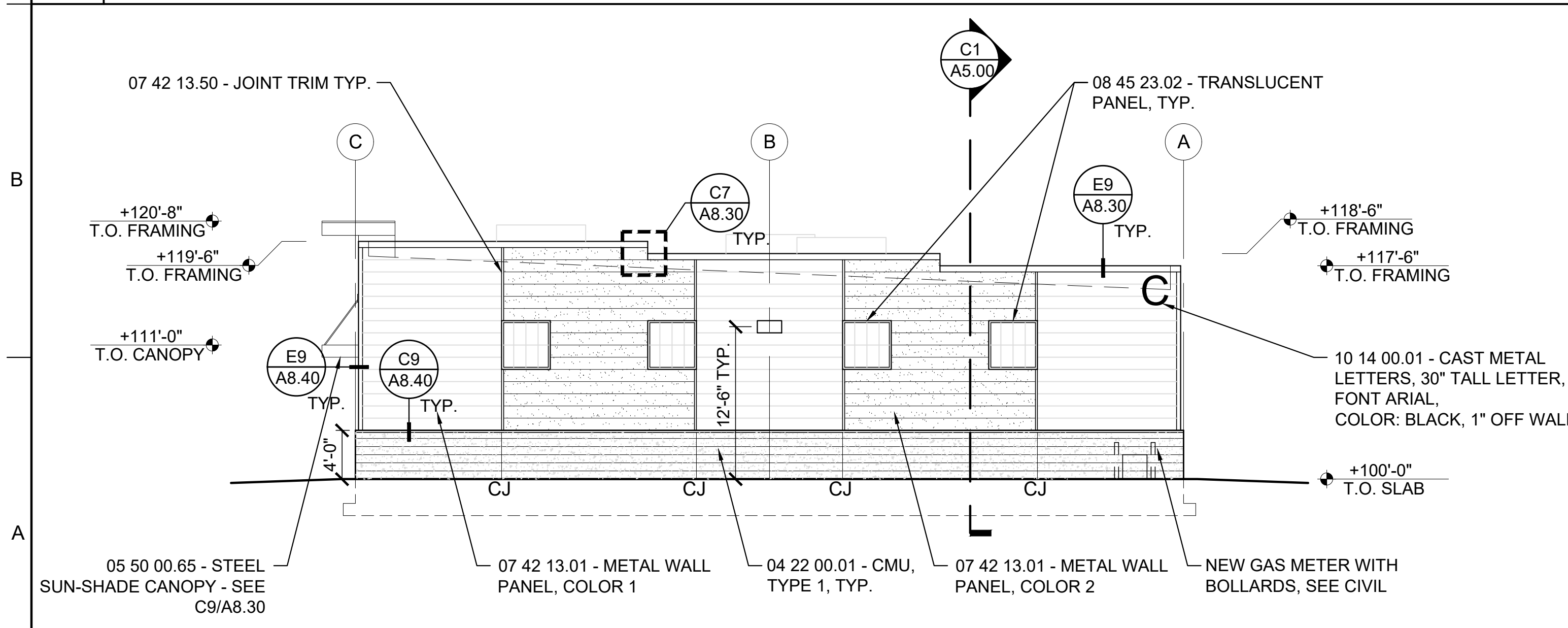
E8 ROOF ELEVATION
SCALE: 1/8" = 1'-0"



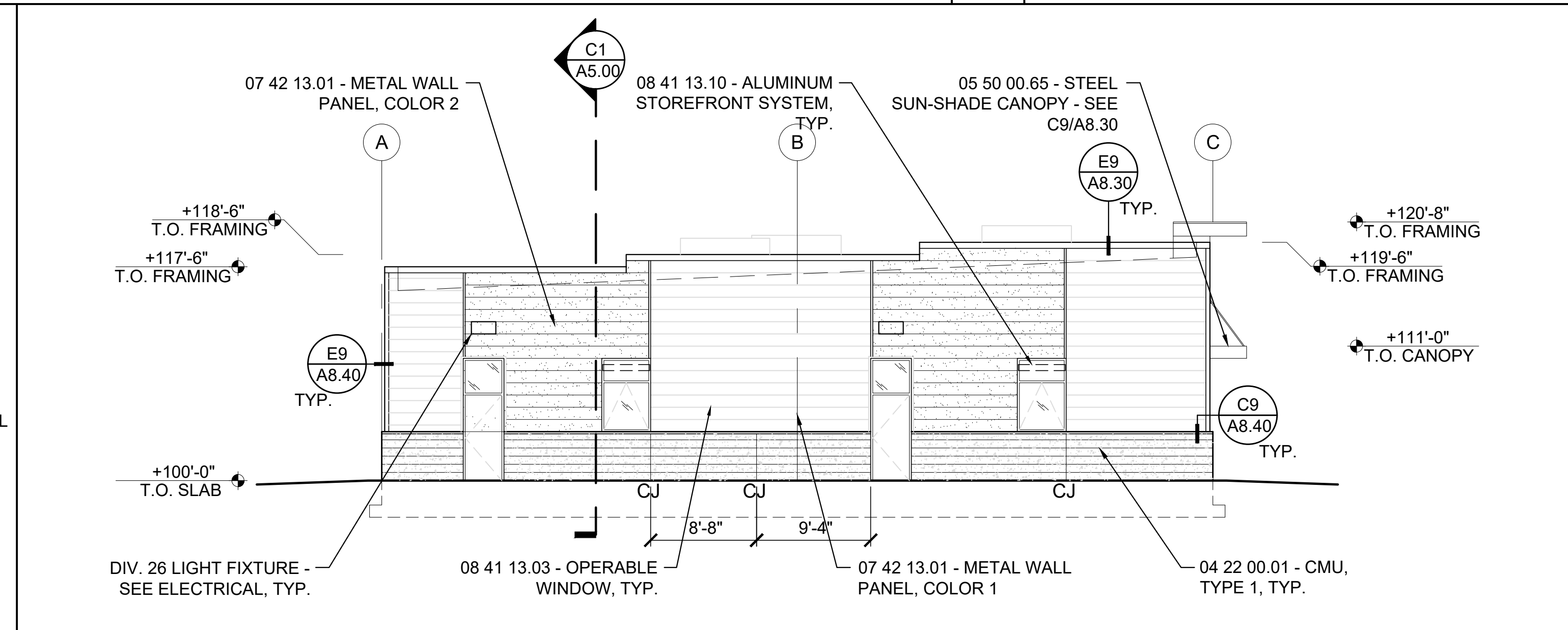
C1 EAST ELEVATION
SCALE: 1/8" = 1'-0"



C9 TRI TECH EAST EXISTING BLDG B
SCALE: 1/8" = 1'-0"



A1 NORTH ELEVATION
SCALE: 1/8" = 1'-0"



A6 SOUTH ELEVATION
SCALE: 1/8" = 1'-0"

DESIGN WEST
ARCHITECTS P.A.
• MEDICAL • DENTAL • PULLMAN WASHINGTON •
• KENNEWICK WASHINGTON • OREGON •
www.designwestpa.com
© COPYRIGHT 2022 FOR THE ARCHITECTS. ALL DRAWINGS
MAY BE REPRODUCED WITHOUT WRITTEN PERMISSION OF ARCHITECT

DRAWN BY
GH, ASG, AR
CHECKED BY
BW
JOB NUMBER
22029
REVISIONS

9854 REGISTERED ARCHITECT
BRANDON D. WILM
STATE OF WASHINGTON

**TRI-TECH EAST - BLDG C
PHASE 1.5**
5929 WEST METALINE
KENNEWICK, WASHINGTON 99336

DATE
06/28/2022

SHEET NAME
EXTERIOR ELEVATION

SHEET
A4.01