


ADDENDUM TO BID DOCUMENTS

 <p>Pleasanton Unified School District</p>	ADDENDUM 01
	Project: Onsite Drop Off Landscape at Foothill High School Project (2021-22.16)
	Date: April 22, 2022

The following clarifications are provided based on questions received or changes in District requirements and must be added/considered when completing your submittal:

Acknowledgement of receipt of this **ADDENDUM** is required in the bid form. Please clearly note the addendum date and number.

CHANGES TO SPECIFICATION AND DRAWINGS

1. Subject: Add two Quick Coupler.

Reference: AL3.2

Attachments: N/A

Description of Change: Add two 44RC Rain Bird Quick Couple and 44K Valve key. Location provide by District.

QUESTIONS:

1. Since the bid will be email, what do we do with the original bid including bid bond?

Answer: Refer to Instruction to Bidder paragraph 10. "Bidder must deposit the original of the bid bond, cashier's check, or certified check in the mail on the same day as the bid opening."

2. Irrigation legend on sheet L3.1 shows Lateral line shall be Schedule 40 PVC pipe. However, Specification section 2.02B/328400 shows Class 200. Please clarify.

Answer: Schedule 40

3. Please provide soil report for bidding.

Answer: No soil report was completed.

4. Soil preparation mixture per planting soil note 8 sheet L0.2 is different from specification section 3.04D/329000. Please clarify.

Answer: Follow note 8 for bidding. Ultimately soil lab results will dictate amendment recommendations.

5. Is there any new controller? If not, where is the location of existing controller?

Answer: No new controller will be required. Rain Master Eagle Plus is installed on Building J.

6. Can we saw cut existing pavement for sleeveing irrigation lines?

Answer: Any concrete that is removed for sleeves must be removed from joint to joint.

7. Please provide color and finish of proposed benches.

Answer: Standard powder coating in Black

END OF ADDENDUM 01

RAIN BIRD VB SERIES 10" ROUND VALVE BOX
WITH BOLT DOWN BLACK LID. (VB10RNDDBKL)

3/4" QUICK COUPLING VALVE

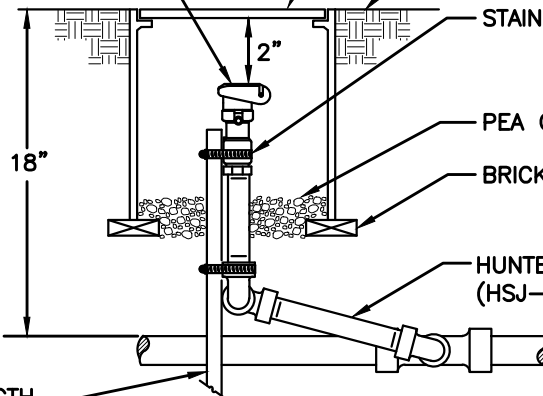
FINISH GRADE

STAINLESS STEEL PIPE CLAMP

PEA GRAVEL

BRICK-2 TOTAL

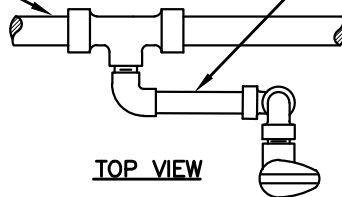
HUNTER SWING JOINT
(HSJ-0-3-T-2-18)



SIDE VIEW

PVC MAINLINE

HUNTER SWING JOINT
(HSJ-0-3-T-2-18)



TOP VIEW

QUICK COUPLING VALVE NOT TO SCALE

Project Title Foothill High School On Site Drop Off Landscape	Original Drawing	Drawn By MR	Sheet Number AL3.2
Project Number 2021-22.13	Issued With Addendum 1	Issued Date April 22, 2022	