

**ADDENDUM No. 1 FOR**

**RFQ/P No 2223-Bonds02 FISCHER PAVING**

**PLEASE SEE THE CHANGES/ADDITIONAL INFORMATION PROVIDED BELOW:**

**Item#1** BID FORM AND PROPOSAL:

Due to constraints, the district request the additional Additive/Deductive Alternate:

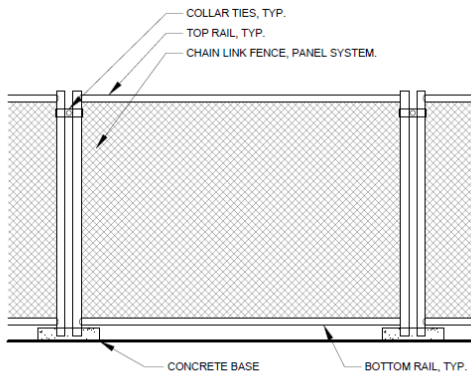
**Alternate #1**

\_\_\_\_\_ dollars      \$ \_\_\_\_\_  
Additive/Deductive

Scope:

**- Off-Hours Work for Task #1 and #2 (work to start not earlier than 3:00 p.m. and end not later than 10:30p.m.)**

**- Erect temporary Construction Fencing to Enclose the School Quad**



1 **REQ'D TEMPORARY FENCING**  
CONSTRUCTION FENCING      1/2" = 1'-0"

**Item#2** Clarify Asphalt Paving Detail

Pedestrian Asphalt paving to be comprised of 2" Asphalt concrete over 6" Compacted Class II (New or Recycled) Aggregate Base; fog seal is **not required**

**Item#3** Removal Depth

Remove not less than the existing 2" AC and recompact base; low traffic pedestrian area only

**Please submit a signed copy of this addendum with your RFQ/P response.**

Company name: \_\_\_\_\_

Signature: \_\_\_\_\_

Print Name: \_\_\_\_\_ Date: \_\_\_\_\_