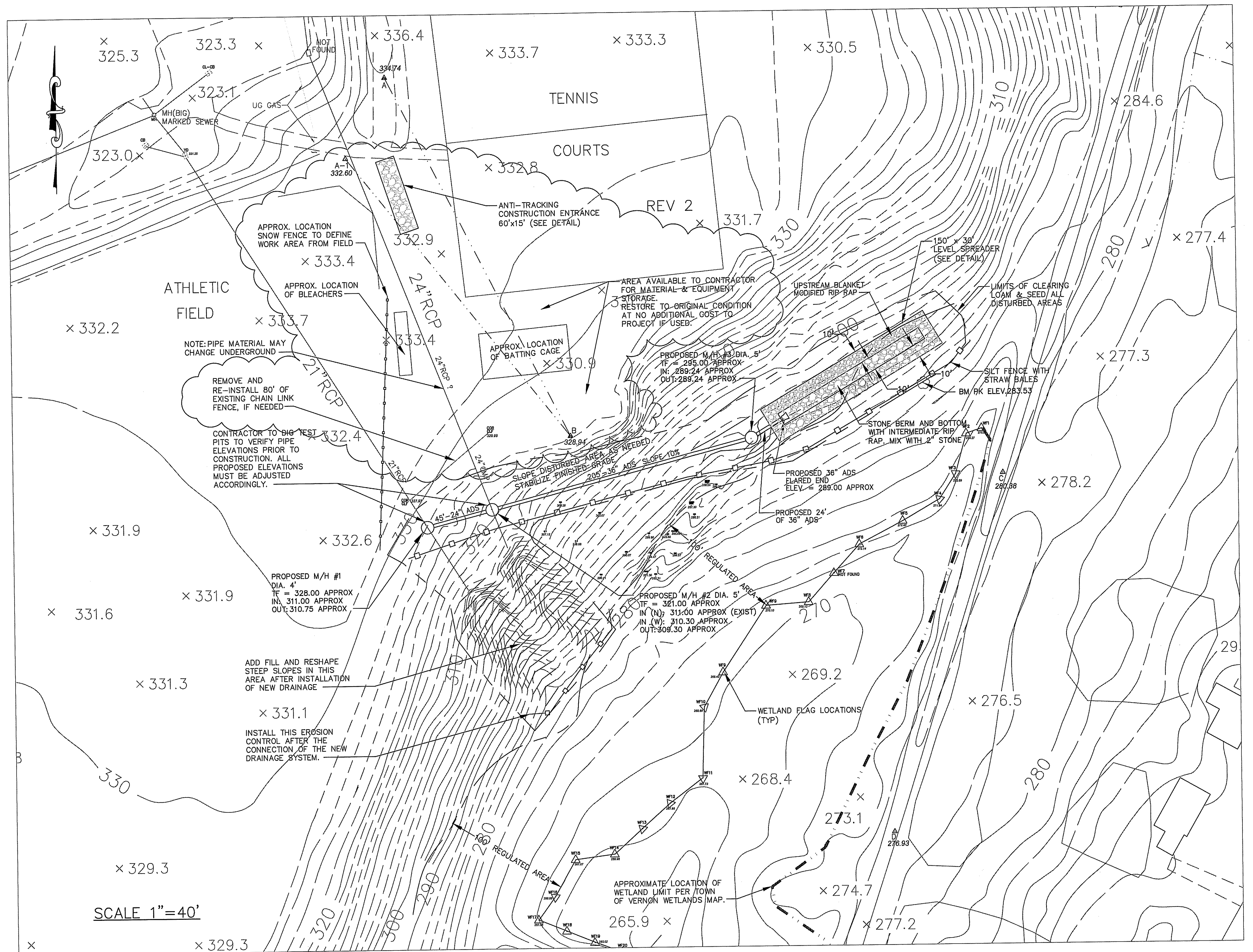


KEY MAP  
SCALE 1"=500'



SCALE 1"=40'

#1 - This map was prepared from Record Research, other maps, limited field measurements and other sources. It is not to be construed as a Property/Boundary or Limited Property/Boundary Survey and is subject to such facts as said surveys may disclose.

#2 - This Plan has been prepared in accordance with the Regulations of Connecticut State Agencies, Sections 20-300b-20. It is a Compilation Plan and is considered Class D and T-D Accuracy Standard.

To my knowledge and belief, this map is substantially correct as noted hereon.

David A. Smith Connecticut PELS #14173

This certification not valid unless this plan bears a live signature and my embossed seal

CONSTRUCTION DRAWINGS

REV 2 - JULY 13, 2018  
REV 1 - JUNE 19, 2018



**SITE PLAN**

**ROCKVILLE HIGH SCHOOL  
DRAINAGE IMPROVEMENTS**

**TOWN OF VERNON  
ENGINEERING DEPARTMENT  
14 PARK PLACE, VERNON, CT 06066**

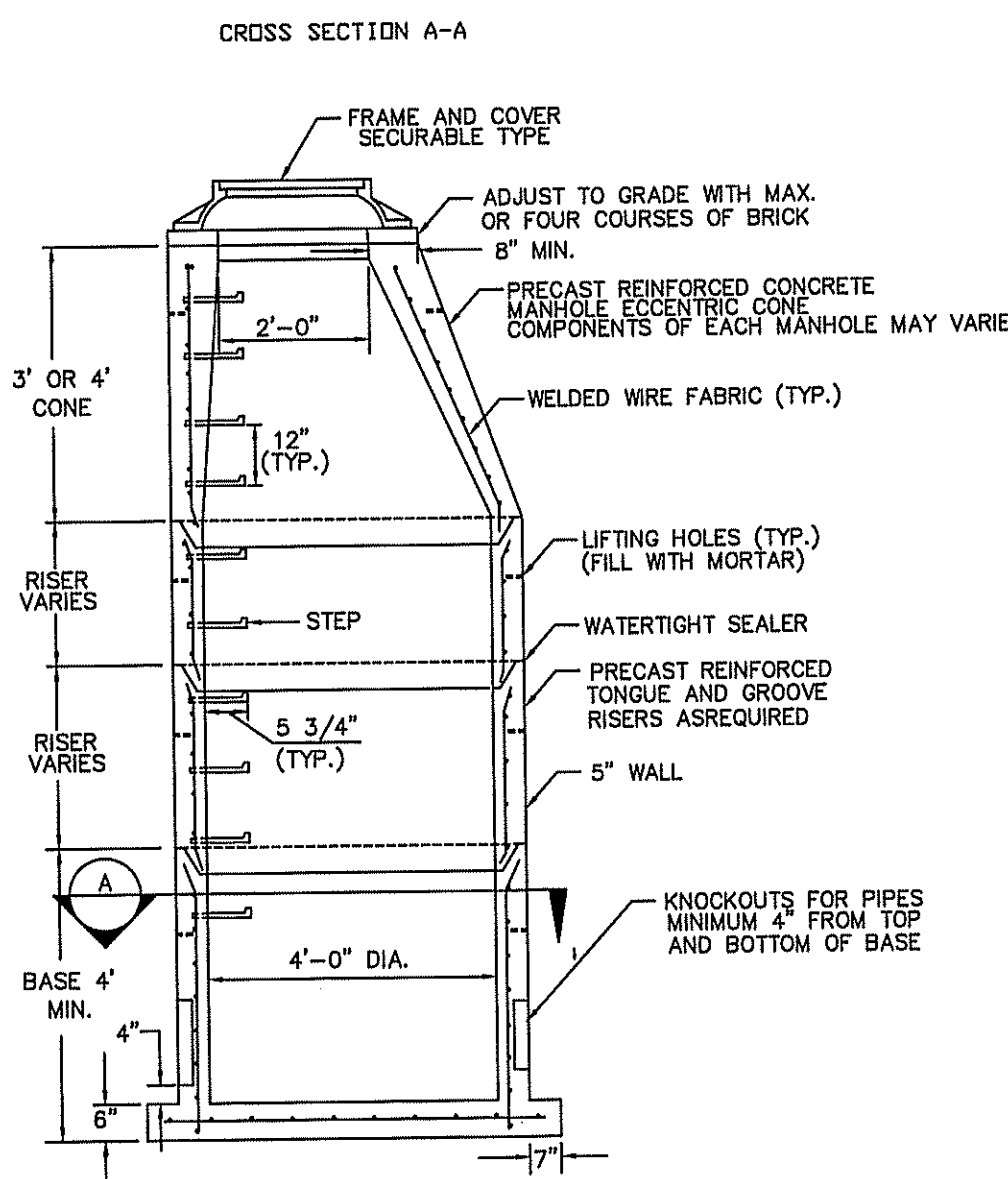
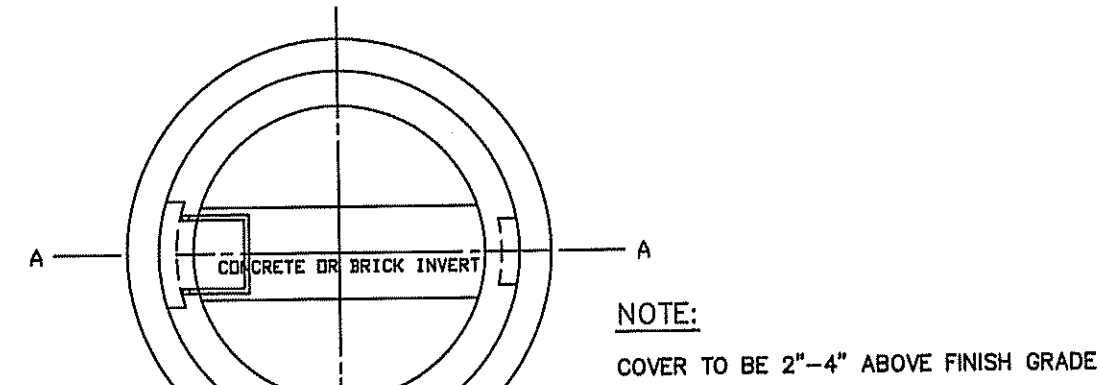
SCALE: AS NOTED DATE: APRIL 20, 2018 SHEET: 1 OF 2  
FILE: Q:/ENGINEERING PROJECTS

**GENERAL NOTES -**

1. ALL WORK MUST BE PERFORMED IN ACCORDANCE WITH THESE PLANS, SPECIFICATIONS, AND CONDITIONS OF APPROVAL, AND ALL APPLICABLE REQUIREMENTS, RULES, REGULATIONS, STATUTORY REQUIREMENTS, CODES, LAWS, AND STANDARDS OF ALL GOVERNMENTAL ENTITIES WITH JURISDICTION OVER THIS PROJECT.
2. THE CONTRACTOR MUST FIELD VERIFY EXISTING CONDITIONS AND NOTIFY THE TOWN OF VERNON (TOV) ENGINEERING DEPARTMENT, IN WRITING, IMMEDIATELY IF ACTUAL CONDITIONS DIFFER FROM THOSE SHOWN ON THE PLAN, OR IF THE PROPOSED WORK CONFLICTS WITH ANY OTHER SITE FEATURES.
3. ALL DIMENSIONS SHOWN ON THE PLANS MUST BE FIELD VERIFIED BY THE CONTRACTOR PRIOR TO THE START OF CONSTRUCTION. CONTRACTOR MUST NOTIFY THE TOWN OF VERNON ENGINEERING DEPARTMENT, IN WRITING, IF ANY CONFLICTS OR DISCREPANCIES EXIST PRIOR TO PROCEEDING WITH CONSTRUCTION.
4. THE CONTRACTOR IS RESPONSIBLE FOR REPAIRING ANY DAMAGE DONE TO ANY PROPERTY DURING THE COURSE OF CONSTRUCTION.
5. THE TOV IS NOT RESPONSIBLE FOR CONSTRUCTION METHODS, MEANS, TECHNIQUES, OR PROCEDURES FOR COMPLETION OF THE WORK DEPICTED.
6. THE TOV IS NOT RESPONSIBLE FOR JOB SITE SAFETY.
7. ALL CONTRACTORS MUST CARRY THE SPECIFIED STATUTORY WORKER'S COMPENSATION INSURANCE, EMPLOYER'S LIABILITY INSURANCE AND LIMITS OF COMMERCIAL GENERAL LIABILITY INSURANCE.
8. ALL CONSTRUCTION AND MATERIALS MUST COMPLY WITH AND CONFORM TO APPLICABLE FEDERAL, STATE AND LOCAL REGULATIONS, LAWS, ORDINANCES, RULES AND CODES, AND ALL APPLICABLE OSHA REQUIREMENTS.

**GENERAL EROSION AND SEDIMENT CONTROL NOTES -**

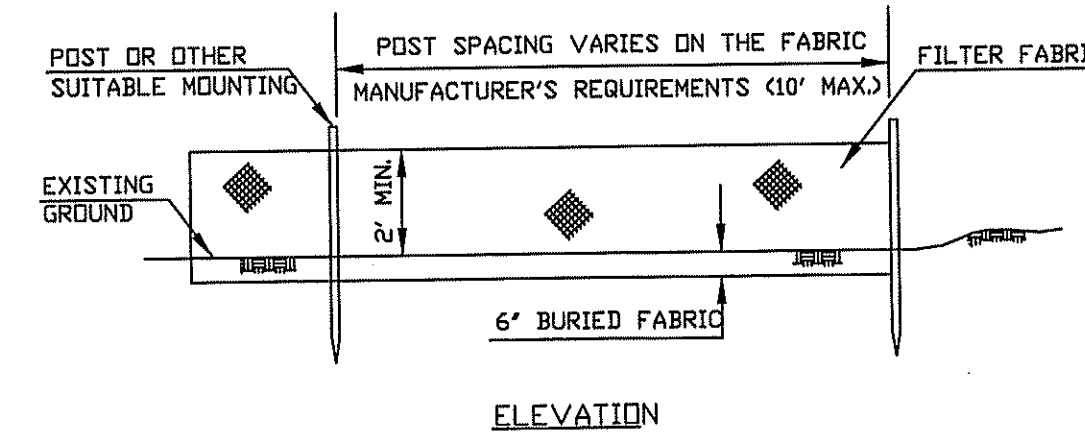
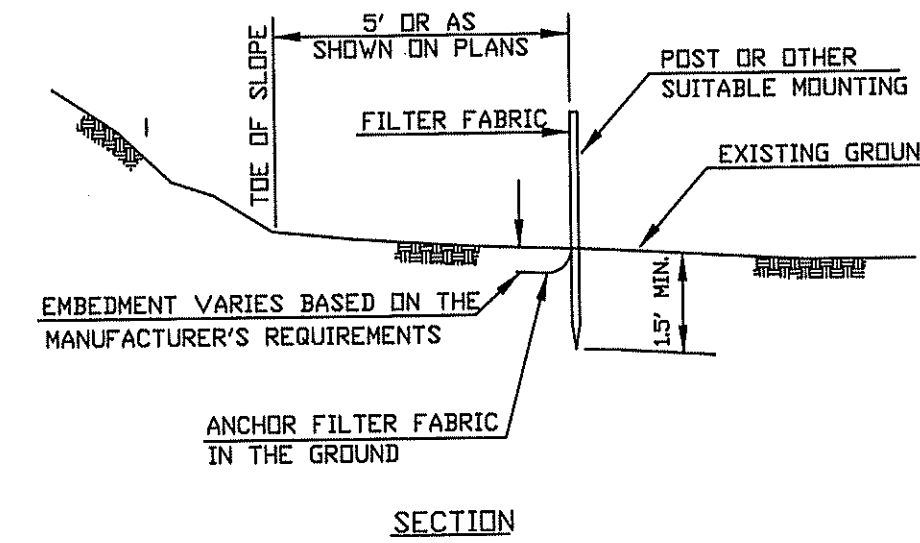
1. ALL EROSION AND SEDIMENT CONTROLS MEASURES SHALL BE CONSTRUCTED IN ACCORDANCE WITH THE STANDARDS AND SPECIFICATIONS OF THE "GUIDELINES FOR SOIL EROSION AND SEDIMENT CONTROL" BY THE CONNECTICUT COUNCIL ON SOIL AND WATER CONSERVATION.
2. ALL SEDIMENT CONTROL PRACTICES AND MEASURES SHALL BE CONSTRUCTED, APPLIED AND MAINTAINED ACCORDANCE WITH THE APPROVED SEDIMENT CONTROL PLAN. EROSION CONTROLS MUST BE INSPECTED AFTER EACH RAINFALL.
3. SILT SHALL BE REMOVED FROM BARRIERS IF GREATER THAN 6-INCHES DEEP OR AS NEEDED.
4. DAMAGED OR DETERIORATED ITEMS WILL BE REPAIRED IMMEDIATELY AFTER IDENTIFICATION.
5. TOPSOIL REQUIRED TO ESTABLISH VEGETATION SHALL BE STOCKPILED IN THE AMOUNT NECESSARY TO COMPLETE THE FINISHED GRADING OF ALL THE DISTURBED AREA.
6. AREAS TO BE FILLED SHALL BE CLEARED, GRUBBED AND STRIPPED OF TOPSOIL, PRIOR TO FILLING.
7. ALL FILL AREAS ARE TO BE COMPACTED AS REQUIRED TO MINIMIZE EROSION, SLIPAGE AND SETTLEMENT. FILL INTENDED TO SUPPORT STRUCTURES, DRAINAGE, ETC. SHALL BE COMPACTED IN ACCORDANCE WITH THE APPROPRIATE STATE AND LOCAL SPECIFICATIONS.
8. FILL MATERIALS SHALL BE FREE OF BRUSH, RUBBISH, LARGE ROCKS, LOGS, STUMPS, BUILDING MATERIALS, COMPRESSIBLE MATERIALS AND ALL OTHER MATERIALS WHICH MAY INTERFERE WITH OR PREVENT CONSTRUCTION OF SATISFACTORY FILLS.
9. FROZEN MATERIAL, SOFT MUCK, HIGHLY COMPRESSIBLE MATERIALS AND OTHER OBJECTIONABLE MATERIALS SHALL NOT BE INCORPORATED INTO FILLS.
10. SEEPS AND SPRINGS ENCOUNTERED DURING CONSTRUCTION SHALL BE HANDLED IN ACCORDANCE WITH ACCEPTED INDUSTRY STANDARDS.
11. ALL GRADING AREAS SHALL BE PERMANENTLY STABILIZED IMMEDIATELY FOLLOWING ESTABLISHMENT OF THE FINAL GRADE. IF FINISHED GRADING IS TO BE DELAYED FOR MORE THAN 30 DAYS AFTER DISTURBANCE, TEMPORARY SOIL STABILIZATION MEASURES, INCLUDING TEMPORARY SEEDING, SHALL BE APPLIED.
12. TOPSOIL SHALL BE SPREAD TO A MINIMUM DEPTH OF 4". IMPORT TOPSOIL AS NEEDED TO SUPPLEMENT RESERVED TOPSOIL.
13. APPLY SEED UNIFORMLY BY HAND, CYCLONE SEEDER, DRILL CULTIPACKER TYPE SEEDER OR HYDROSEEDER. NORMAL SEEDING DEPTH IS FROM 1/4" TO 1/2". HYDROSEEDING WHICH IS MULCHED MAY BE LEFT ON THE SURFACE.
14. WHERE FEASIBLE, EXCEPT WHERE EITHER A CULTIPACKER SEEDER OR HYDROSEEDING IS USED, THE SEEDBED SHOULD BE FIRMED FOLLOWING SEEDING WITH A ROLLER OR LIGHT DRAG.
15. INSPECT THE SEEDBED PRIOR TO SEEDING. IF TRAFFIC HAS LEFT THE SOIL COMPACTED, THE AREA MUST BE RE-TILLED BEFORE SEEDING.



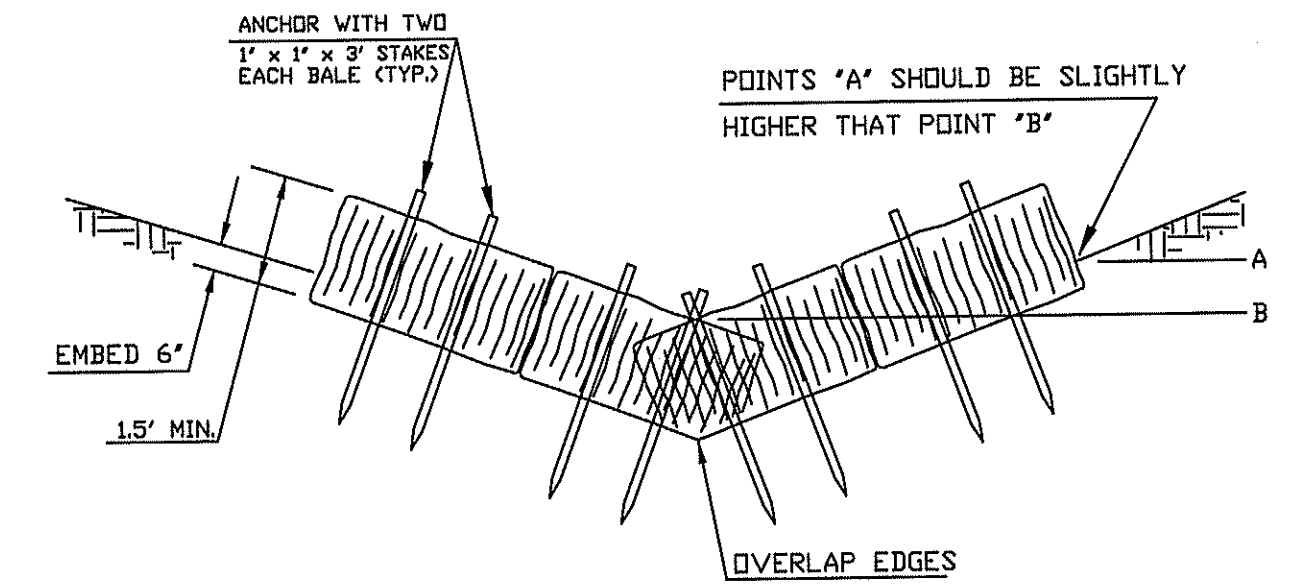
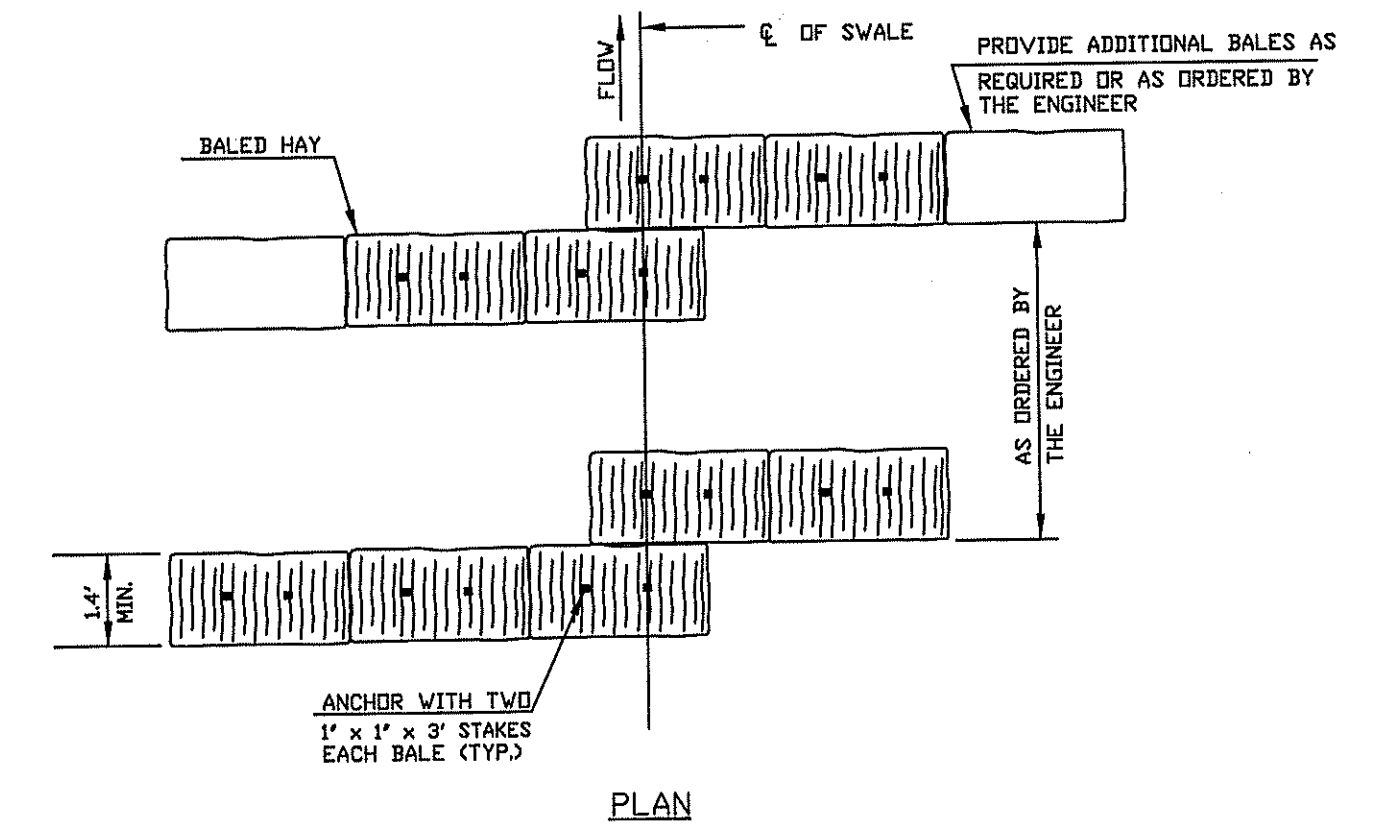
PRECAST CONCRETE MANHOLE - STORM  
NOT TO SCALE

**GENERAL NOTES**

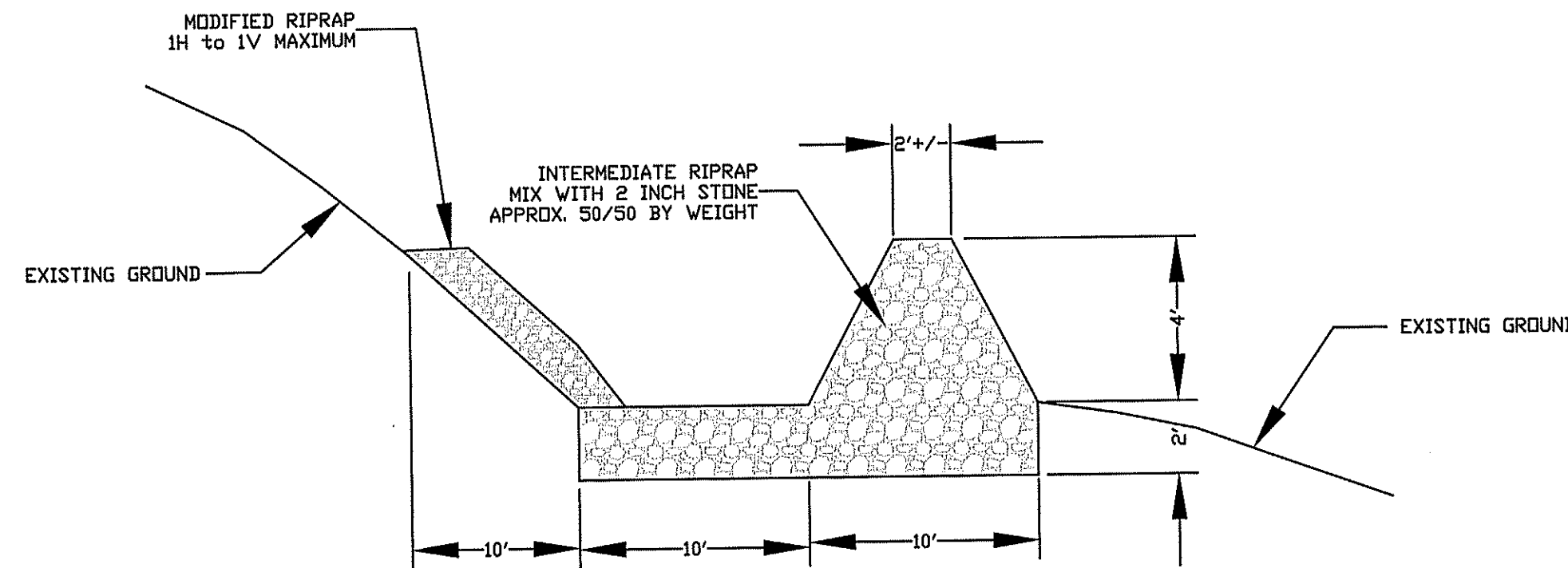
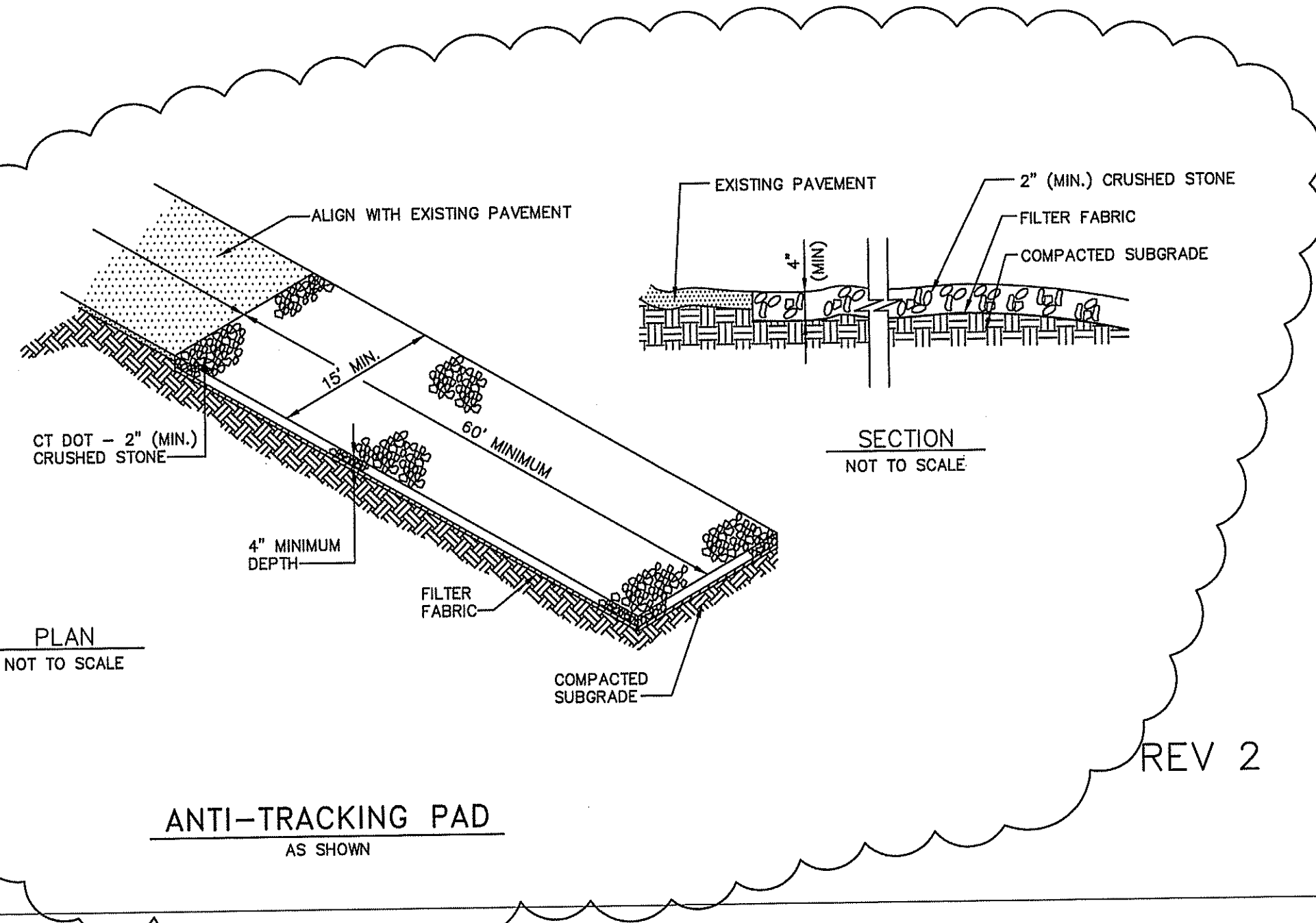
1. THE CONTRACTOR SHALL INSTALL AND MAINTAIN THE EROSION CONTROL SYSTEM AS SHOWN ON THE PLANS PRIOR TO INITIATING ANY CONSTRUCTION ACTIVITY WHICH DISTURBS EXISTING VEGETATIVE GROUND COVER.
2. SEDIMENTATION AND EROSION CONTROL MEASURES SHOWN ARE THE MINIMUM REQUIRED. CONTRACTOR SHALL INSTALL AND MAINTAIN ADDITIONAL MEASURES, AS REQUIRED, TO CONTROL EROSION AS THE CONSTRUCTION PROJECT PROGRESSES.
3. THE CONTRACTOR SHALL DAILY, OR AS DIRECTED, SWEEP THE PAVED ROADWAYS ADJACENT TO THE WORK AREA AND CONDUCT HIS ACTIVITIES TO MINIMIZE THE TRACKING OF SOIL ONTO THE ROADWAYS.



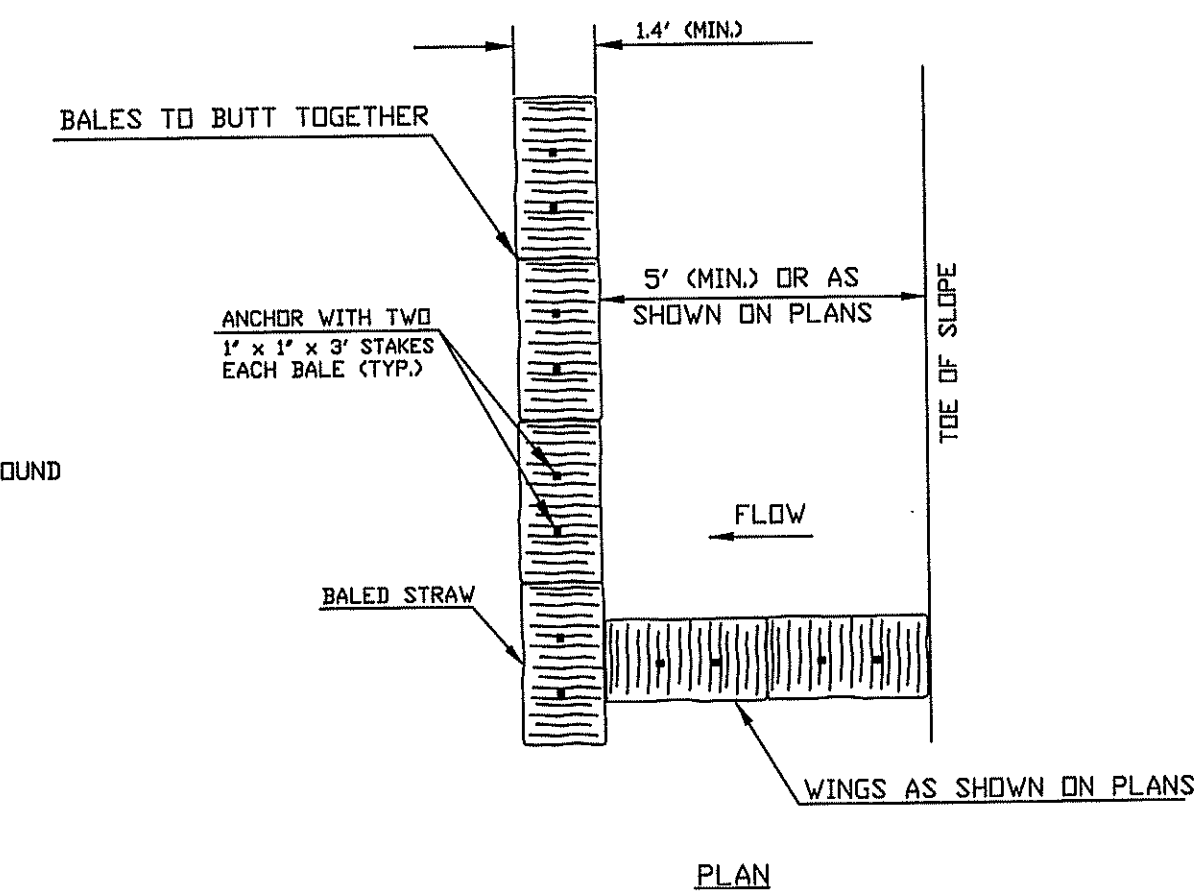
SEDIMENTATION CONTROL SYSTEM - GEOTEXTILE FENCE  
NOT TO SCALE



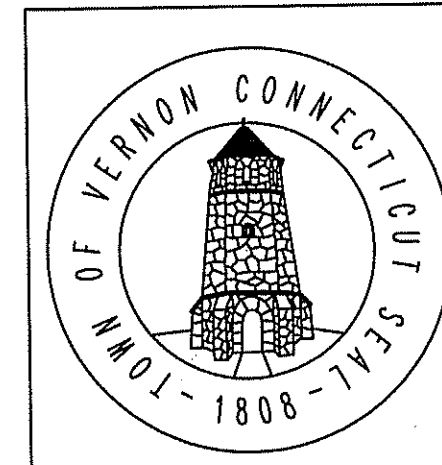
CHECK DAM (STRAW BALES)  
NOT TO SCALE



LEVEL SPREADER - ELEVATION  
NOT TO SCALE



SEDIMENTATION CONTROL SYSTEM - STRAW BALES  
NOT TO SCALE



**CONSTRUCTION DRAWINGS**

REV 2 - JULY 13, 2018  
REV 1 - JUNE 19, 2018

**DETAILS**

**ROCKVILLE HIGH SCHOOL  
DRAINAGE IMPROVEMENTS  
TOWN OF VERNON  
ENGINEERING DEPARTMENT  
14 PARK PLACE, VERNON, CT 06066**

SCALE: NTS DATE: APRIL 20, 2018 SHEET: 2 OF 2  
FILE: Q:/ENGINEERING PROJECTS