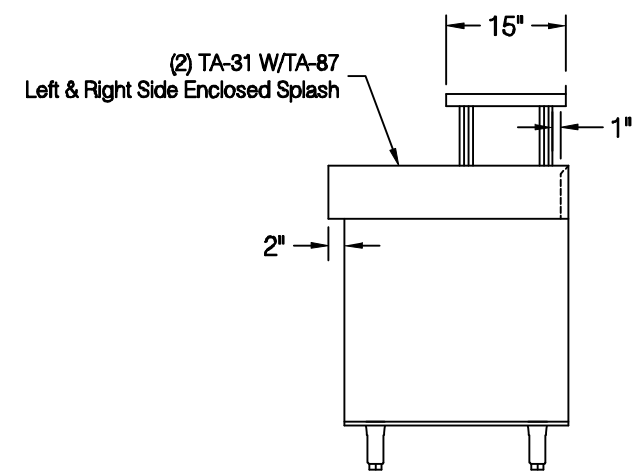
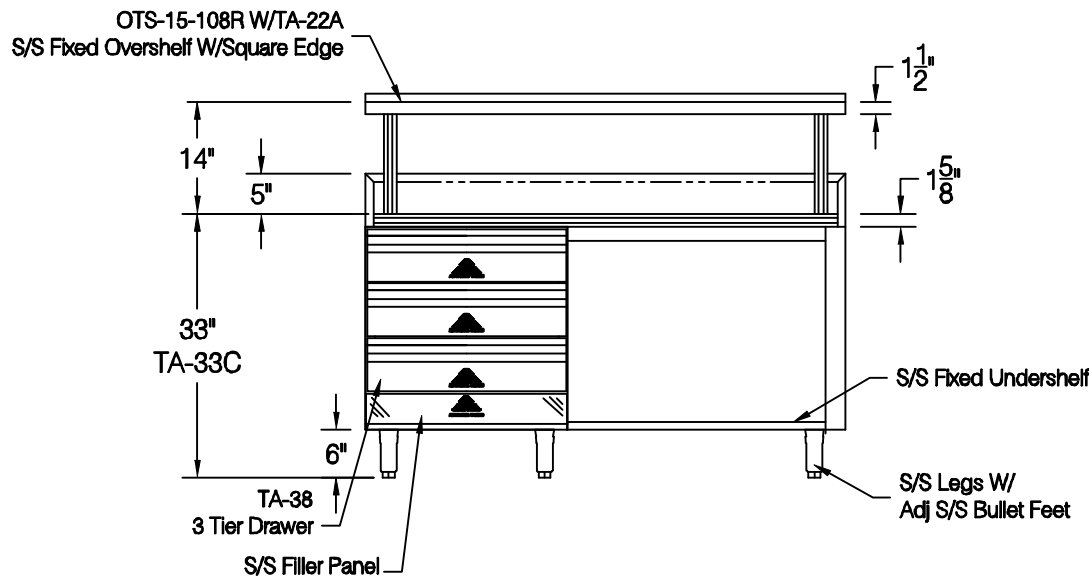


Notes:  
1. Please Reference The Quote Number When Placing The Order.



Customer: <b>KAIN &gt; MCARTHUR</b> Job Name: <b>PLAZA MIDDLE SCHOOL</b> Purchase Order # : <b>NA</b> Factory Use Only:	Order / Quote # <b>Q149492</b> Model # <b>EK-SS-305</b> Drawn By: <b>S.Royl</b>	Sheet # 1 / 1		Original Drawing Date: <b>05/31/2022</b>	NO. 1	Revision Date:	By:	Print Approval: Accessory Locations MUST Be Verified Prior To Unit Being Fabricated Approved By _____ Date _____ Approved By _____ Date _____		
		Item # 1	Material: 14 GA. 304 S/S	Scale: 1/2" = 12"	Tolerance: +.500 -.500	2	3		4	
		Final Inspection:				5	5		5	
		WELDING:				1) Date: _____ Inspected By: _____	2) Date: _____ Inspected By: _____		1) Date: _____ Inspected By: _____	2) Date: _____ Inspected By: _____
		FACTORY USE ONLY:				1) Date: _____ Inspected By: _____	2) Date: _____ Inspected By: _____		1) Date: _____ Inspected By: _____	2) Date: _____ Inspected By: _____

