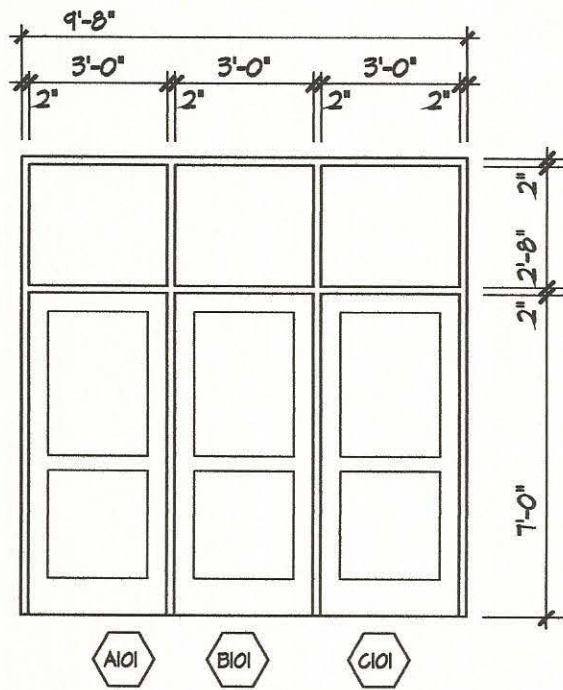
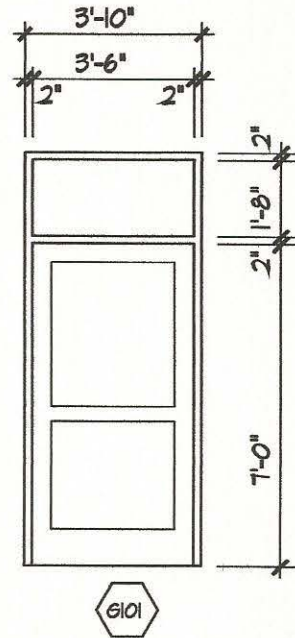


A



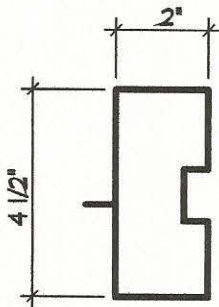
1



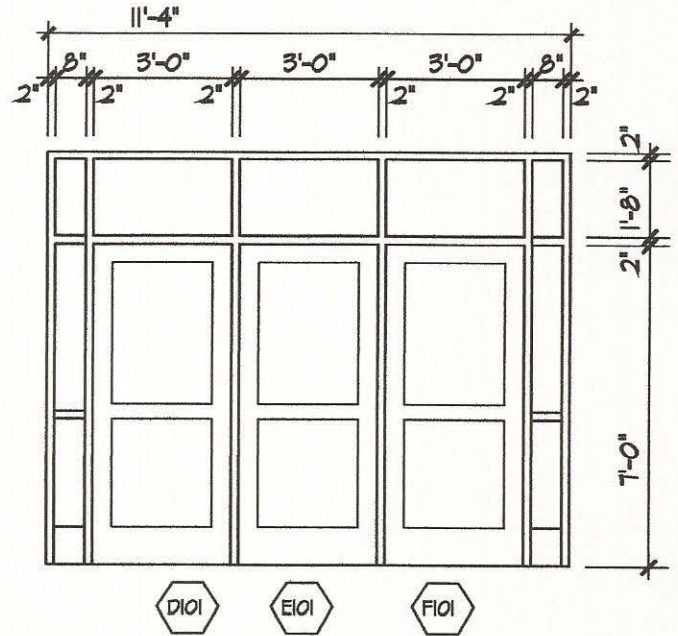
3

## DOOR & FRAME TYPES

NO SCALE



A ALUMINUM



2

## FRAME PROFILES

NO SCALE

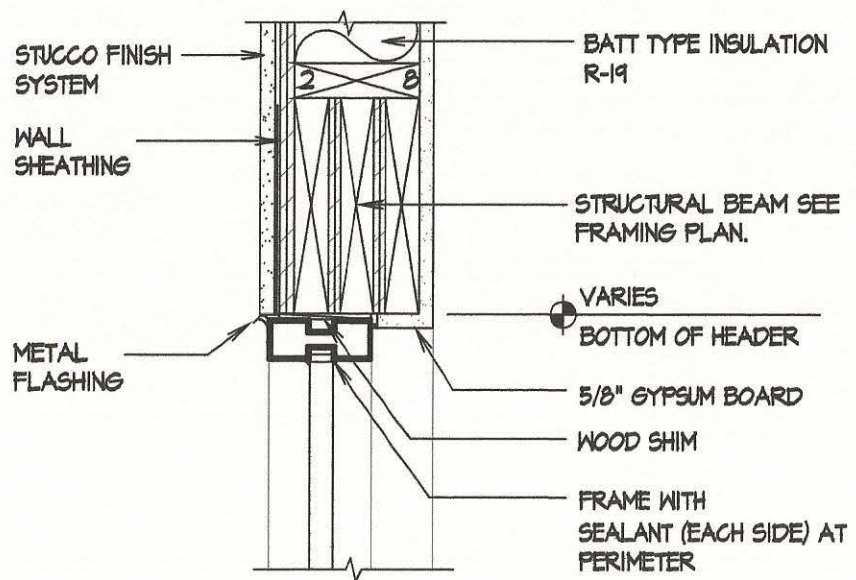
job:

SCHOOL DISTRICT NO. 25  
FRANKLIN MIDDLE SCHOOL

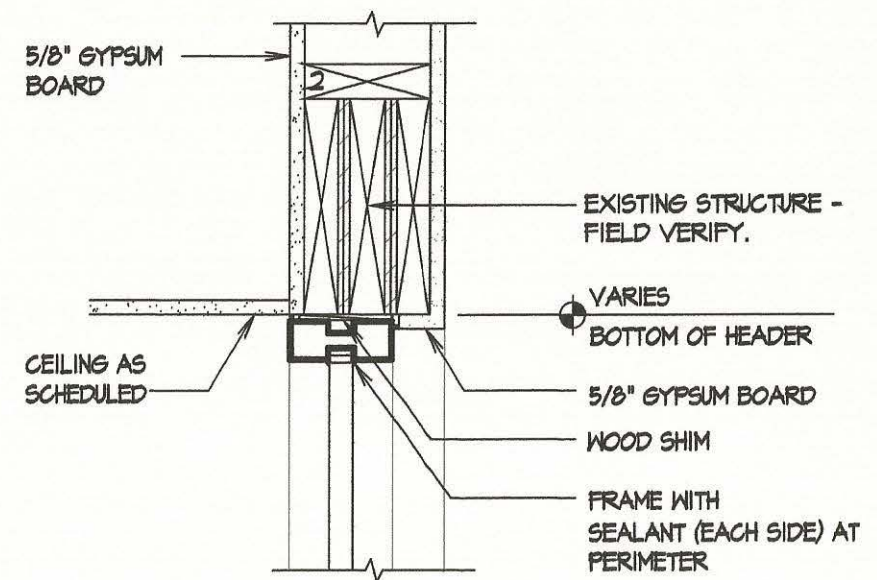
page:

ADI-1

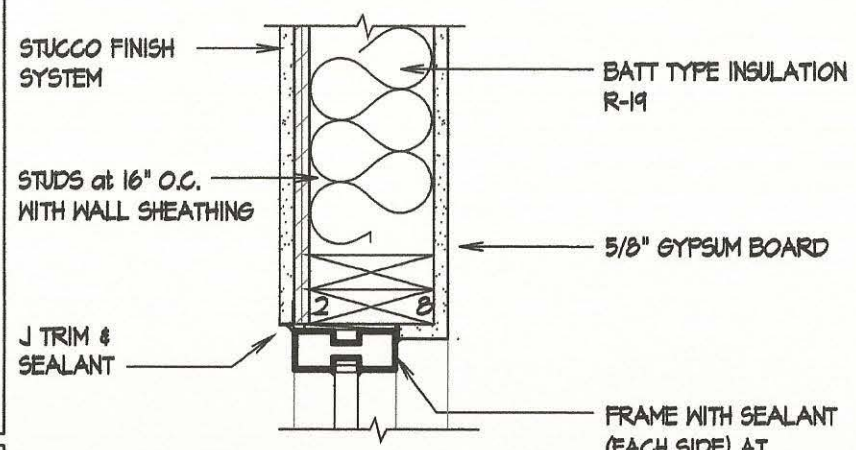
SCHOOL DISTRICT NO. 25  
FRANKLIN MIDDLE SCHOOL



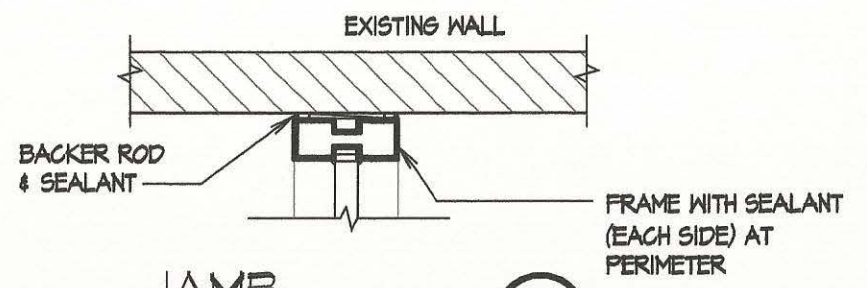
**HEAD**  
SCALE: 1 1/2" = 1'-0"  
**A**



**HEAD**  
SCALE: 1 1/2" = 1'-0"  
**E**



**JAMB**  
SCALE: 1 1/2" = 1'-0"  
**B**



**JAMB**  
SCALE: 1 1/2" = 1'-0"  
**F**

Job:

Page:

AD1-2



# DOOR SCHEDULE

MARK	DOOR						FRAME				FIRE RATING	HARDWARE	REMARKS
	ROOM	TYPE	PAIR	SINGLE	SIZE	GLASS	PROFILE	FRAME TYPE	DETAILS				
									HEAD	JAMB			
A101	101	A		●	S1	G2	A	1	A/ADI-2	C/A1.4, B/ADI-2	-	ST1	T1 SEE D/ADI-4
B101	101	A		●	S1	G2	A	1	A/ADI-2	-	-	ST1	T1 SEE D/ADI-4
C101	101	A		●	S1	G2	A	1	A/ADI-2	C/A1.4, B/ADI-2	-	ST1B	T1 SEE D/ADI-4, R1
D101	101	A		●	S1	G1	A	2	E/ADI-2	F/ADI-2	-	ST3	T1
E101	101	A		●	S1	G1	A	2	E/ADI-2	-	-	ST3	T1
F101	101	A		●	S1	G1	A	2	E/ADI-2	F/ADI-2	-	ST3	T1
G101	101	A		●	S2	G2	A	3	A/ADI-2	B/ADI-2	-	ST1	T1 SEE D/ADI-4, R1

## DESCRIPTION

### S SIZE

S1 3'-0" x 7'-0"  
 S2 3'-6" x 7'-0"

### G GLASS

G1 1/4" TEMPERED  
 G2 1" INSULATED / TEMPERED

### T THRESHOLD

T1 METAL THRESHOLD  
 T2 TRANSITION STRIP

### REMARKS

R1 SALVAGE & RELOCATE EXISTING CARD READER

### GENERAL NOTES:

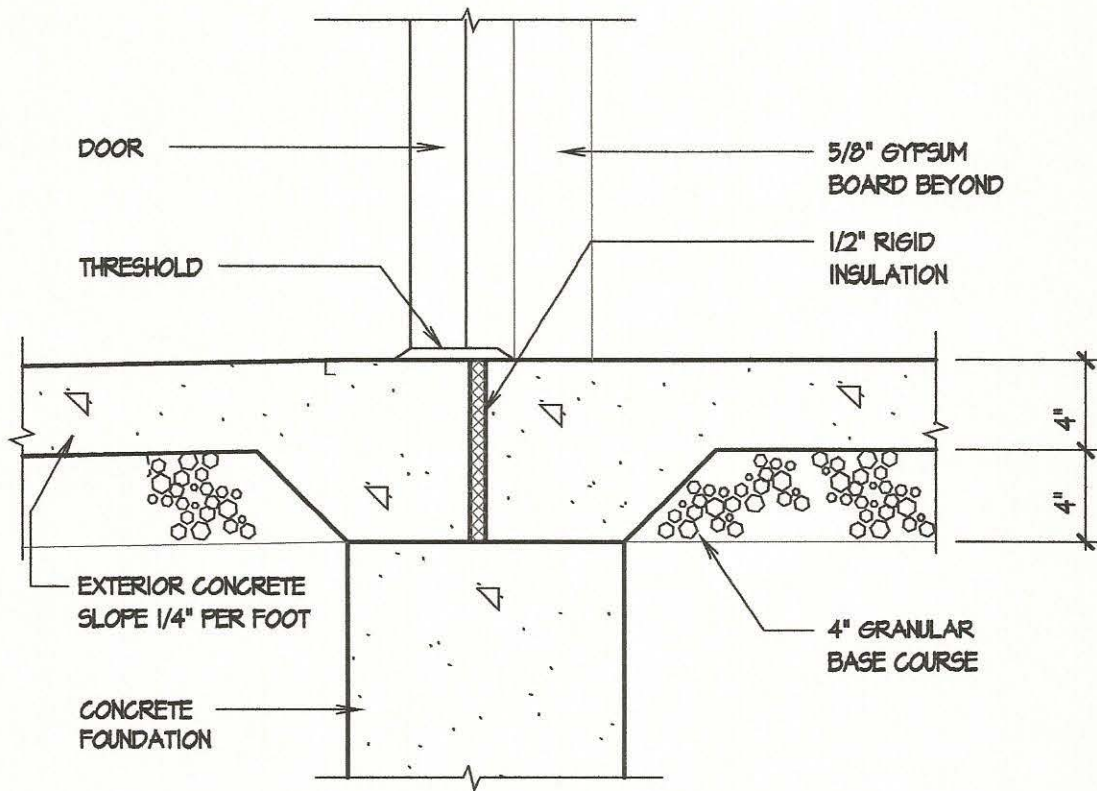
DUE TO MULTIPLE USE, SOME OF THE DETAILS REFERRED TO ON THE DOOR SCHEDULE ARE REVERSED AND/OR TURNED FROM THE DIRECTION SHOWN ON THE FLOOR PLAN. THE GENERAL INTENT OF THE DETAILS SHALL IN ALL CASES SHALL BE FOLLOWED AND THE ARCHITECT CONSULTED SHOULD QUESTIONS ARISE. DOORS TO BE SET TO CLEAR FINISHED FLOOR SURFACE BY 1/2"

SCHOOL DISTRICT NO. 25  
 FRANKLIN MIDDLE SCHOOL

Job:

ADI-3

Page:



**THRESHOLD**

SCALE: 1/2" = 1'-0"

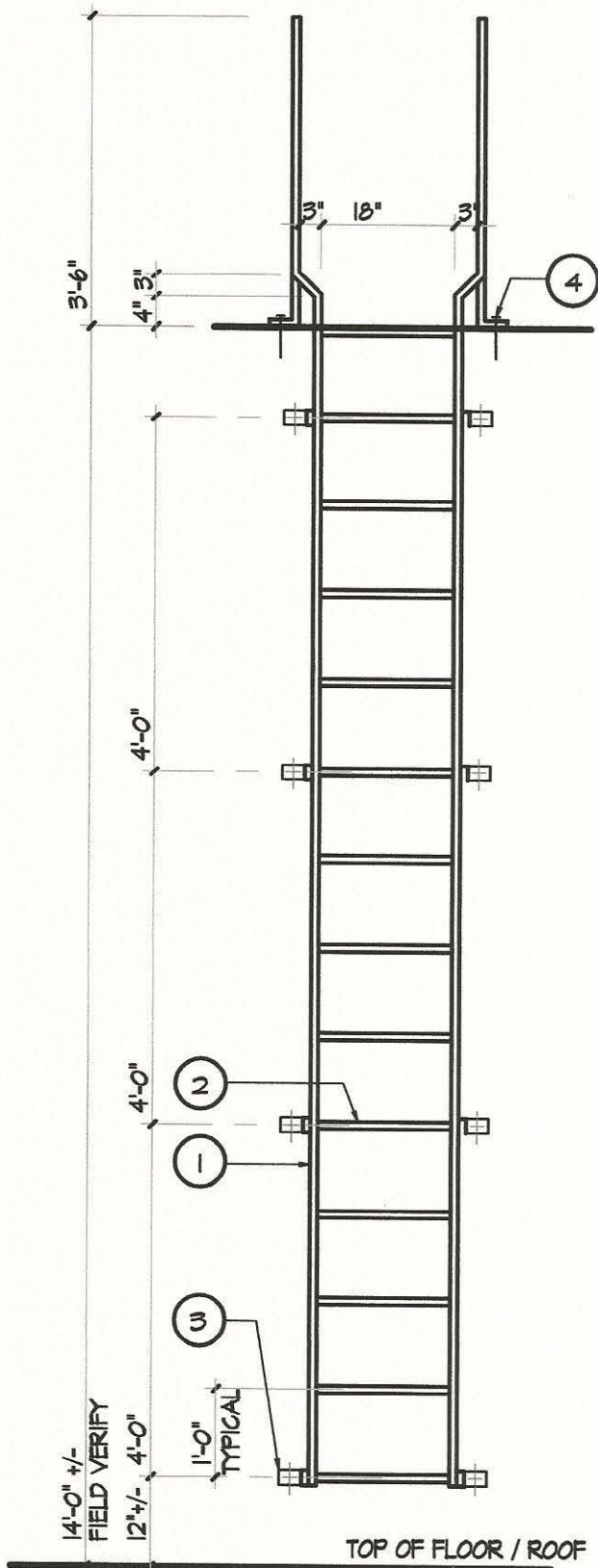


job:

SCHOOL DISTRICT NO. 25  
FRANKLIN MIDDLE SCHOOL

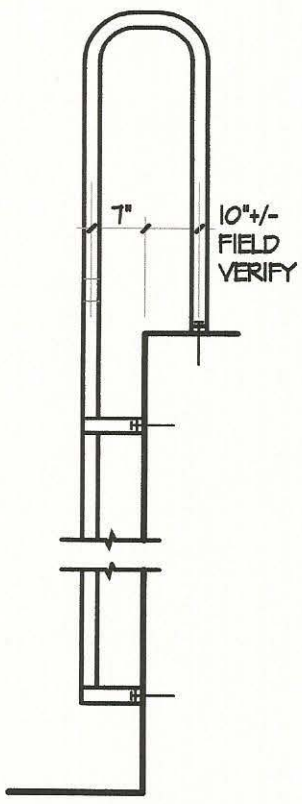
page:

ADI-4



**KEYED NOTES:**

- ① STRINGER: 3/8" X 2" FLAT BAR STOCK.
- ② RUNGS: 3/4" DIAMETER BARS - PLUG WELD TO STRINGER.
- ③ ANCHOR: 3/8" X 2" FLAT BAR STOCK OR 8" X 3" X 5/16" L WELDED TO STRINGER. PROVIDE 1/2" ANCHOR INTO MASONRY.
- ④ ANCHOR: 1/2" DIA ANCHOR BOLT INTO MASONRY PARAPET. SET IN BED OF SEALANT.

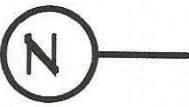


FRONT ELEVATION

SIDE ELEVATION

**LADDER DETAIL**

SCALE: 1/2" = 1'-0"

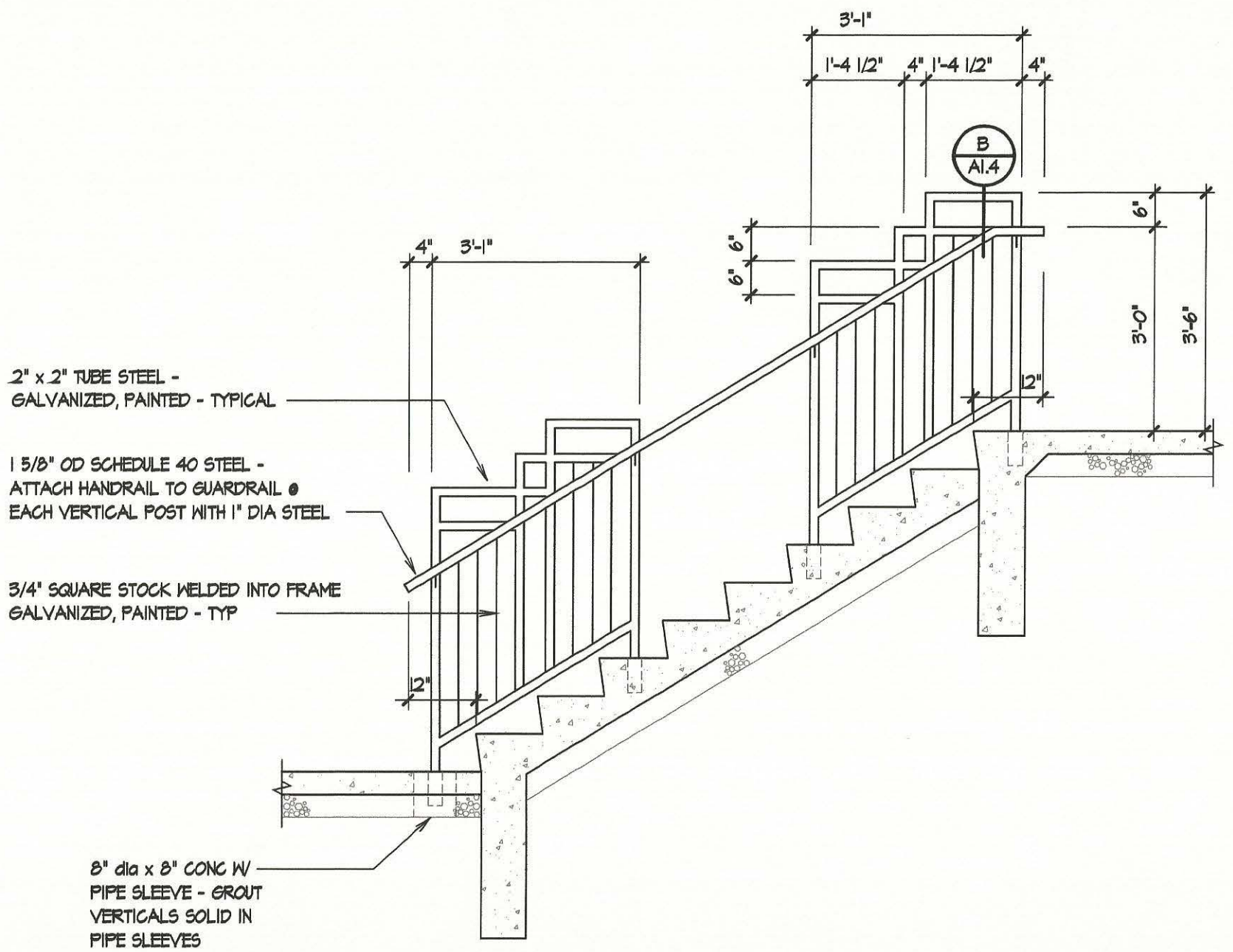


job: SCHOOL DISTRICT NO. 25 FRANKLIN MIDDLE SCHOOL	page: ADI-5
---	-------------



jobs: SCHOOL DISTRICT NO. 25  
 FRANKLIN MIDDLE SCHOOL

page: ADI-6



2" x 2" TUBE STEEL - GALVANIZED, PAINTED - TYPICAL

1 5/8" OD SCHEDULE 40 STEEL - ATTACH HANDRAIL TO GUARDRAIL @ EACH VERTICAL POST WITH 1" DIA STEEL

3/4" SQUARE STOCK WELDED INTO FRAME GALVANIZED, PAINTED - TYP

8" dia x 8" CONC W/ PIPE SLEEVE - GROUT VERTICALS SOLID IN PIPE SLEEVES

**SECTION**

SCALE: 1/2" = 1'-0"

