



**ROCKFORD BOARD OF EDUCATION  
INVITATION FOR BID ON SUPPLIES, MATERIALS, EQUIPMENT OR SERVICES  
FOR SCHOOL DISTRICT NO. 205  
ROCKFORD, ILLINOIS**

IFB No. 22-23 HVAC & Roofing Projects at Lincoln, East, Washington & Flinn Schools

DATE: March 3, 2022

RE: **ADDENDUM NO. 6**

---

To All Bidders:

Included are modifications, clarifications and/or corrections for the Project Manual and are hereby made a part of the contract documents. Please attach this addendum to the Project Manual(s) in your possession. Please note the receipt of this addendum on the bid form. Bidders shall review changes to all portions of this work as changes to one portion may affect the work of another.

**If you plan to hand deliver your IFB submission on the due date, please note you must check in on the 1st floor prior to coming to the bid opening. Please allow time for this as late submission will not be accepted.**

Refer all questions relative to the business aspect, Instructions to Bidders, Special Conditions, and questions concerning the technical aspect of the documents to the Director of Purchasing by email at [purchasingdeptstaff@rps205.com](mailto:purchasingdeptstaff@rps205.com).

ROCKFORD BOARD OF EDUCATION

By: Dane Youngblood  
Director of Purchasing



## ADDENDUM #6

DATE: March 3, 2022

PROJECT: IFB #22-23  
RPS 205 HVAC Improvements:  
2224 Washington Elementary School  
2245 Lincoln Middle School  
2246 Flinn Middle School  
2233 East High School  
IMEG #21002885.01, .02, .03, .04

BID DUE DATE: March 10, 2022

ARCHITECT: IMEG Corp.  
623 26<sup>th</sup> Avenue  
Rock Island, IL 61201  
Phone: 309-788-0673  
Fax: 309-786-5967

TO: All Contract Document Holders of Record.

---

This Addendum forms a part of the bidding and construction documents. This Addendum supersedes and supplements all portions of the original bidding and construction documents dated January 28, 2022 with which it conflicts. Please attach this Addendum to the Project Manual(s) in your possession.

**ACKNOWLEDGE RECEIPT OF THIS ADDENDUM IN THE SPACE PROVIDED ON THE BID FORM.  
FAILURE TO DO SO MAY SUBJECT BIDDER TO DISQUALIFICATION.**

---

### A. QUESTIONS/CLARIFICATIONS

1. Washington HVAC Project Number 2224:
  - a. In reviewing the electrical service layout at the Washington School HVAC upgrades project there appears to be some incomplete information.  
**Response:** Refer to Drawings section of addendum for revisions.
  - b. The one line diagram does not show the external metering equipment.  
**Response:** Refer to Drawings section of addendum for revisions.
  - c. Also it does not show the 1600 amp main disconnect needed because the feeder length inside the building is longer than the utility company allows before the main breaker.  
**Response:** Refer to Drawings section of addendum for revisions.
  - d. I believe the intent was to be a 1600 amp version of what the Lincoln school drawings shows.  
**Response:** This is correct. Refer to Drawings section of addendum for revisions.
  - e. Also I did not see the 100 amp breaker in the SBHA panel directory to feed WES-1MHA panel.  
**Response:** Refer to Addendum 3.

B. DRAWINGS

Washington Elementary School

1. DRAWING E001 - SITE - ELECTRICAL
  - a. **ADD** Main-Switch between utility transformer and building.
  - b. **ADD** concrete pad for Main-Switch.
2. DRAWING E201A - BASEMENT AND GROUND FLOOR - AREA A - ELECTRICAL
  - a. **REVISE** references to the Meter Cabinet to the Main-Switch.
  - b. **REMOVE** meter cabinet and feed from utility transformer.
3. DRAWING E501 - ELECTRICAL RISER DIAGRAM - NEW
  - a. **ADD** Main-Switch between the utility transformer and WES-SBHA.
  - b. **ADD** feeder from utility transformer and Main-Switch.
  - c. **REVISE** feeder to WES-SBHA.
  - d. **REVISE** grounding location to Main-Switch.
  - e. **REVISE** main breaker in WES-SBHA to LSI.
4. DRAWING E700 - PANEL SCHEDULES
  - a. **REVISE** main breaker in WES-SBHA to LSI.
  - b. **REVISE** fed from for WES-SBHA to Main-Switch.

END OF ADDENDUM #6

JRV /dks

\\files\Active\Projects\2021\21002885.00\BidPhase\AddendaSupportDocs\20220303 Addendum 6\20220303 Adden6.docx

Enclosures: E001, E201A, E501, E700

**KEYNOTES:** ( # )  
 1. PROVIDE TWO GROUNDS RODS AT LEAST 20'-0" APART FOR SERVICE ENTRANCE GROUNDING. REFER TO DETAIL 2/E400.

**IMEG**  
 623 26TH AVENUE  
 QUAD CITIES, IL 61201  
 PH: 309.788.0673  
 FAX: 309.788.5967  
 www.imegcorp.com



**ESSER HVAC Improvements - Washington Elementary School**

1421 West St, Rockford, IL 61102  
 Rockford Public Schools #205

**Saavedra Group Architects**  
 Architecture • Engineering • Management  
 504 North Church Street • Rockford, Illinois 61103  
 815-963-9392 • www.sgadesign.com



**1 SITE - ELECTRICAL**  
 1" = 20'-0"

KEY PLAN

IMEG CORP. RESERVES PROPRIETARY RIGHTS, INCLUDING COPYRIGHTS, TO THIS DRAWING AND THE DATA SHOWN THEREON. AND DRAWING AND/OR DATA ARE THE EXCLUSIVE PROPERTY OF IMEG CORP. AND SHALL NOT BE USED OR REPRODUCED FOR ANY OTHER PROJECT WITHOUT THE EXPRESS WRITTEN APPROVAL AND PARTICIPATION OF IMEG CORP.  
 REFERENCE SCALE IN INCHES  
 0 1 2  
 © 2021 IMEG CORP.

No.	Date	Revision / Issue
1	03/03/2022	Addendum 6

SHEET INFORMATION	
Issue	BID DOCUMENTS
Date	JANUARY 28, 2022
Job Number	21002885.01
Drawn	JERVET
Checked	GAUSHA
Approved	JERVET

SHEET TITLE  
**SITE - ELECTRICAL**

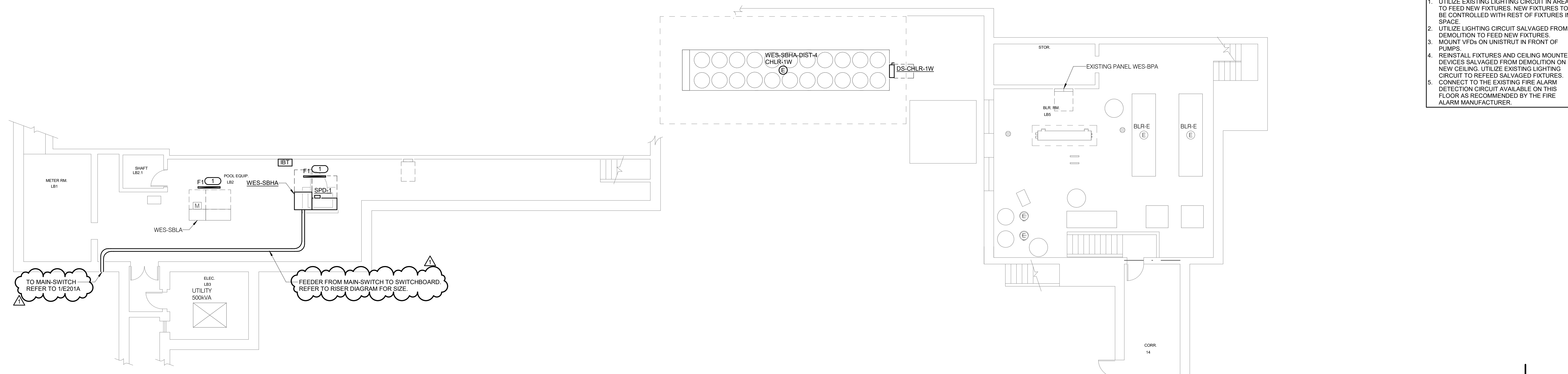
SCALE  
 1" = 20'-0"

SHEET NUMBER

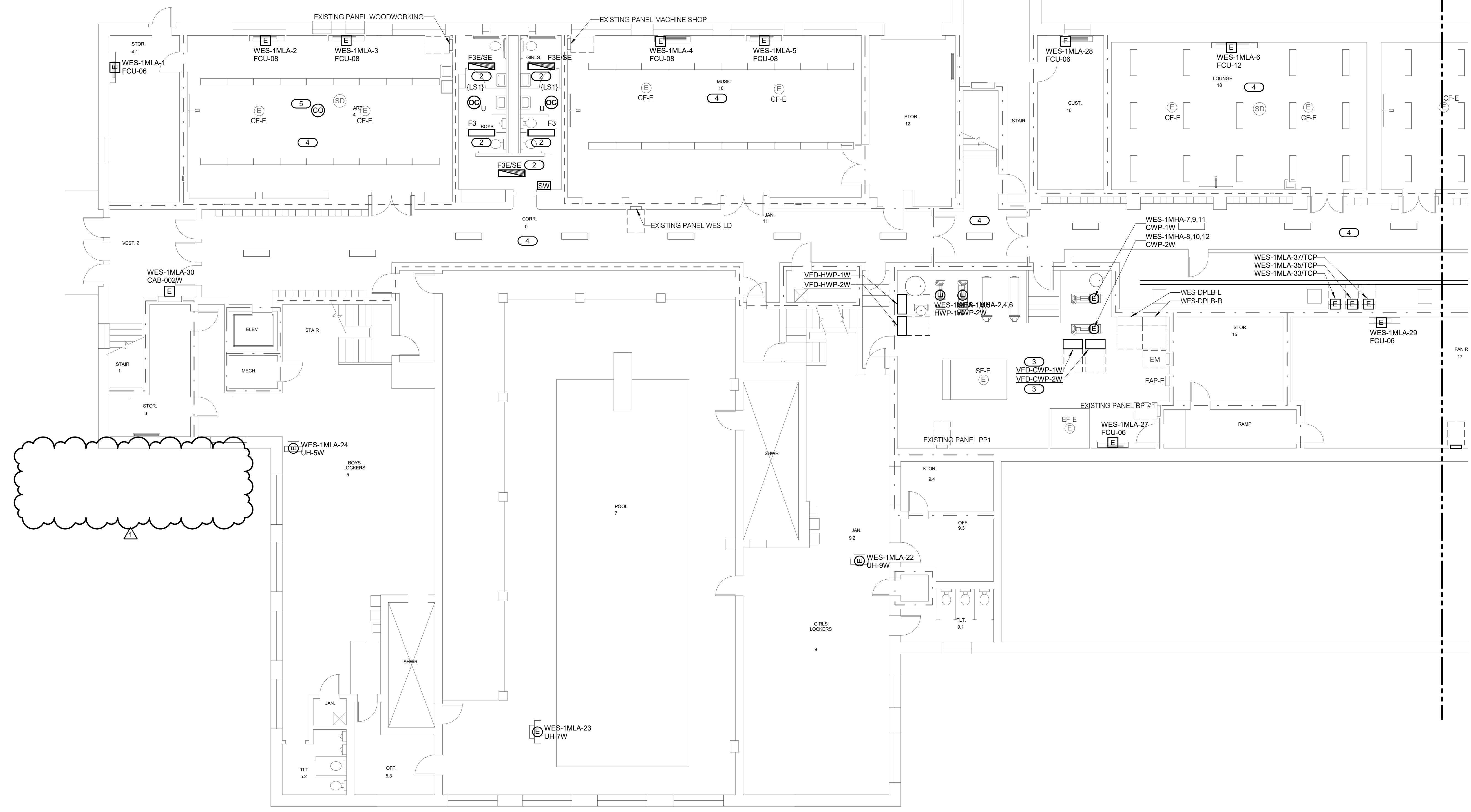
**E001**

21002885.01 3/3/2022 3:34:05 PM ESSER HVAC Improvements - Washington Elementary School

- SHEET NOTES:**
- BRANCH CIRCUITS TO FAN COIL UNITS AND CABINET HEATERS TO FOLLOW MECHANICAL PIPING. UTILIZE PIPE CHASE TO REACH EQUIPMENT ON FLOORS ABOVE.
  - STARTERS AND DISCONNECTS ARE FURNISHED BY OTHERS UNLESS NOTED OTHERWISE.
- KEYNOTES: (#)**
- UTILIZE EXISTING LIGHTING CIRCUIT IN AREA TO FEED NEW FIXTURES. NEW FIXTURES TO BE CONTROLLED WITH REST OF FIXTURES IN SPACE.
  - UTILIZE LIGHTING CIRCUIT SALVAGED FROM DEMOLITION TO FEED NEW FIXTURES.
  - MOUNT VFDs ON UNISTRUT IN FRONT OF PUMPS.
  - REINSTALL FIXTURES AND CEILING MOUNTED DEVICES SALVAGED FROM DEMOLITION ON NEW CEILING. UTILIZE EXISTING LIGHTING CIRCUIT TO REFEED SALVAGED FIXTURES.
  - CONNECT TO THE EXISTING FIRE ALARM DETECTION CIRCUIT AVAILABLE ON THIS FLOOR AS RECOMMENDED BY THE FIRE ALARM MANUFACTURER.



**2 BASEMENT - ELECTRICAL**  
 1/8" = 1'-0"



21002885.01 3/3/2022 3:34:06 PM ESSER HVAC Improvements - Washington Elementary School

### ELECTRICAL - RISER DIAGRAM NOTES:

- THE RISER DIAGRAM IS INTENDED TO CONVEY THE COMPONENTS OF THE ELECTRICAL DISTRIBUTION SYSTEM. REFER TO ELECTRICAL DRAWINGS, DETAILS, DISTRIBUTION / PANEL / EQUIPMENT / EQUIPMENT CONNECTION SCHEDULES, AND SPECIFICATIONS FOR ADDITIONAL INFORMATION.
- SHORT CIRCUIT CURRENT RATINGS (SCCR) FOR EQUIPMENT ARE MINIMUM REQUIREMENTS FOR BUSS BRACING AND DEVICE RATING. ALL EQUIPMENT SHALL BE FULLY RATED UNLESS SPECIFICALLY NOTED AS SERIES RATED.
- TRANSFER SWITCHES (SCCR) RATINGS ARE INTENDED AS WITHSTAND CURRENT RATINGS (WCR).
- THE BASIS OF DESIGN: THE CONTRACTOR SHALL BE RESPONSIBLE FOR DERATING AND SIZING CONDUCTORS AND CONDUITS TO EQUAL OR EXCEED AMPACITY OF THE BASIS OF DESIGN CIRCUITS WHEN ALTERNATIVE METHODS OR MATERIALS OTHER THAN THE BASIS OF DESIGN ARE APPLIED.
  - RACEWAY: EMT UNLESS OTHERWISE NOTED
  - FEEDER CHARACTERISTICS: ALL CURRENT CARRYING CONDUCTORS SHALL BE COPPER UNLESS NOTED OTHERWISE. REFER TO SPECIFICATION SECTION 26 06 13 WIRE AND CABLE FOR ADDITIONAL INFORMATION
  - GROUNDING AND BONDING CONDUCTORS SHALL BE COPPER.
  - CONDUCTORS (MOTORS): COPPER
  - [AL] INDICATES ALUMINUM CONDUCTOR
  - [BLNK] OR [CU] INDICATES COPPER CONDUCTOR
  - [CI] INDICATES CIRCUIT INTEGRITY CIRCUIT. FEEDER ROUTED OUTSIDE BUILDING OR 2 HOUR FIRE RATED.
- PROVIDE GROUNDING ELECTRODE AND BONDING SYSTEM PER CODE REQUIREMENTS. PROVIDE THE FOLLOWING MINIMUM CONNECTIONS AND COMPONENTS. REFER TO SPECIFICATION SECTION 26 05 26 GROUNDING AND BONDING AND DETAILS WHEN APPLICABLE:
  - ELECTRICAL GROUND FIELD
  - CONCRETE ENCASED UPFER GROUND
  - METALLIC WATER MAIN
  - BUILDING STEEL EFFECTIVELY GROUND
  - INTERSYSTEM BONDING TERMINAL (IBT)
  - GROUND RING ENCIRCLING STRUCTURE
- DRY TYPE TRANSFORMER AND SEPARATELY DERIVED SYSTEMS. PROVIDE GROUNDING ELECTRODE CONDUCTOR FOR SEPARATELY DERIVED SYSTEM. ROUTE TO STRUCTURAL BUILDING STEEL WHEN AVAILABLE. OTHERWISE ROUTE TO MAIN GROUNDING ELECTRODE SYSTEM.
- PROVIDE O.Z. GEDNEY OR EQUAL GROUND BUSHING FOR ALL SERVICE AND FEEDER RACEWAYS BONDED TO GROUND BUS WITH CONDUCTOR SIZED TO MAXIMUM FEEDER GROUND CAPACITY.
- CONDUCTORS AND GROUND SIZES ON THE LINE AND LOAD SIDES OF ALL DISCONNECT SWITCHES SHALL BE IDENTICAL UNLESS NOTED OTHERWISE.
- REFER TO COVER SHEET FOR ADDITIONAL EQUIPMENT TAG INFORMATION (SPD-#, M-#, ETC).
- REFER TO GROUNDING ELECTRODE SYSTEM AND BONDING DETAILS
- CIRCUIT BREAKER CHARACTERISTICS AND ACCESSORIES:
  - [CB] INDICATES CIRCUIT BREAKER
  - [FS] INDICATES FUSED SWITCH
  - [NFS] INDICATES NON-FUSED SWITCH
  - [MLO] INDICATES MAIN LUG ONLY
  - [MCB] INDICATES MAIN CIRCUIT BREAKER
  - [MOCB] INDICATES MOLDED CASE CIRCUIT BREAKER
  - [LSIG] INDICATES FEATURES PROVIDED WITH SOLID STATE CIRCUIT BREAKER (LONG TIME (W/DELAY), SHORT TIME (W/DELAY), INSTANTANEOUS, GROUND FAULT)
  - [LSAI] INDICATES FEATURES PROVIDED WITH SOLID STATE CIRCUIT BREAKER (LONG TIME (W/DELAY), SHORT TIME (W/DELAY), INSTANTANEOUS, GROUND FAULT ALARM (NO GROUND FAULT TRIP))
  - [GFR] INDICATES GROUND FAULT RELAY
  - [AER] INDICATES ARC ENERGY REDUCTION SYSTEM
  - [100% RATED] INDICATES INSULATED CASE BREAKER RATED FOR FULL CONTINUOUS CAPACITY OF CIRCUIT BREAKER NAMEPLATE
  - [DRAW] INDICATES DRAWOUT DEVICES
  - [LOCK] INDICATES PADLOCK HASP
  - [RED] INDICATES RED HANDLE
  - [SHUNT] INDICATES SHUNT TRIP BREAKER
  - [KIRK] INDICATES KIRK KEY
- BRANCH PANEL KEY:
  - \*A = ARC FAULT CIRCUIT INTERRUPT
  - \*G = GROUND FAULT CIRCUIT INTERRUPT
  - \*I = ISOLATED GROUND
  - \*M = BRANCH CIRCUIT MONITOR
  - \*P = PADLOCK HASP
  - \*R = RED HANDLE
  - \*S = SHUNT TRIP
  - \*NB = NEW BREAKER
  - \*RB = REPLACE EXISTING BREAKER WITH NEW BREAKER
  - \*EB = EXISTING BREAKER
- ADDITIONAL ABBREVIATIONS:
  - EGC - EQUIPMENT GROUNDING CONDUCTOR
  - GEC - GROUNDING ELECTRODE CONDUCTOR
  - SSBJ - SUPPLY SIDE BONDING JUMPER

KEYNOTES: (#)  
 1. REFER TO 2/E400 FOR SERVICE ENTRANCE GROUNDING DETAIL.



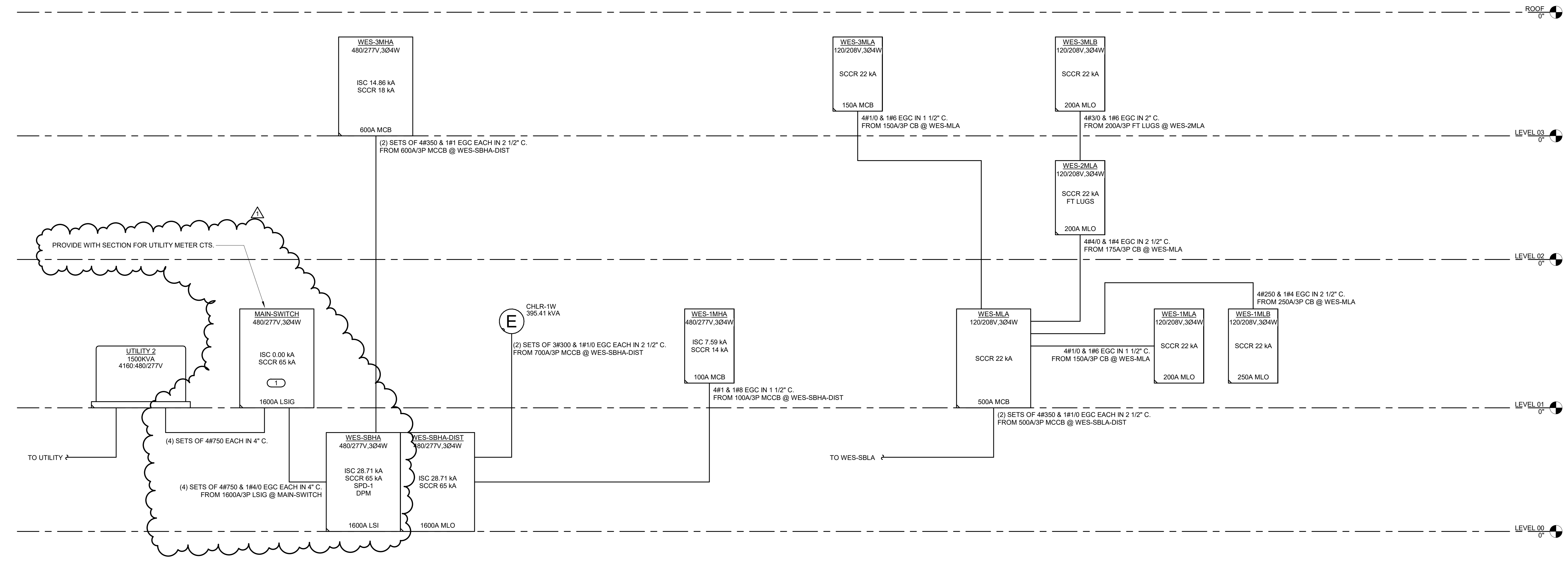
623 26TH AVENUE  
 QUAD CITIES, IL 61201  
 PH: 309.786.0673  
 FAX: 309.786.5967  
 www.imegcorp.com



ESSER HVAC Improvements - Washington Elementary School  
 1421 West St, Rockford, IL 61102

Rockford Public Schools #205

Saavedra Group Architects  
 Architecture • Engineering • Management  
 504 North Church Street • Rockford, Illinois 61103  
 815-963-9392 • www.sgadesign.com



**1 NEW RISER DIAGRAM**  
 NO SCALE

IMEG CORP. RESERVES PROPRIETARY RIGHTS, INCLUDING COPYRIGHTS, TO THIS DRAWING AND THE DATA SHOWN THEREON. THIS DRAWING AND/OR DATA ARE THE EXCLUSIVE PROPERTY OF IMEG CORP. AND SHALL NOT BE USED OR REPRODUCED FOR ANY OTHER PROJECT WITHOUT THE EXPRESS WRITTEN APPROVAL AND PARTICIPATION OF IMEG CORP.  
 REFERENCE SCALE IN INCHES  
 0 1 2  
 © 2021 IMEG CORP.

No.	Date	Revision / Issue
1	03/03/2022	Addendum 6

Issue	BID DOCUMENTS
Date	JANUARY 28, 2022
Job Number	21002885.01
Drawn	JERVET
Checked	GAUSHA
Approved	JERVET

SHEET TITLE  
**ELECTRICAL RISER DIAGRAM - NEW**

SCALE  
 12" = 1'-0"

SHEET NUMBER

**E501**

Table with 3 columns: No., Date, Revision / Issue. Row 1: 1, 02/15/2022, Addendum 3. Row 2: 2, 03/03/2022, Addendum 6.

Table with 2 columns: Issue, Date. Row 1: BID DOCUMENTS, JANUARY 28, 2022. Row 2: 21002885.01, JERVET. Row 3: GAUSHA. Row 4: JERVET.

DISTRIBUTION PANEL WES-3MHA. Includes enclosure info, main bus, notes, and a detailed load schedule table with columns for CT, Load Description, Load, Poles, Frame, Trip, Type, Acc., Wire and Raceway, and Circuit Notes.

PANEL WES-1MHA. Includes enclosure info, main bus, notes, and a detailed load schedule table with columns for CT, Load Description, Load, Poles, Frame, Trip, Type, Acc., Wire and Raceway, and Circuit Notes.

SWITCHBOARD WES-SBHA. Includes enclosure info, main bus, notes, and a detailed load schedule table with columns for CT, Load Description, Load, Poles, Frame, Trip, Type, Acc., Wire and Raceway, and Circuit Notes.

PANEL WES-1MLA. Includes enclosure info, main bus, notes, and a detailed load schedule table with columns for CT, Load Description, Load, Poles, Frame, Trip, Type, Acc., Wire and Raceway, and Circuit Notes.

DISTRIBUTION PANEL WES-MLA. Includes enclosure info, main bus, notes, and a detailed load schedule table with columns for CT, Load Description, Load, Poles, Frame, Trip, Type, Acc., Wire and Raceway, and Circuit Notes.

EXISTING SWITCHBOARD WES-SBLA. Includes enclosure info, main bus, notes, and a detailed load schedule table with columns for CT, Load Description, Load, Poles, Frame, Trip, Type, Acc., Wire and Raceway, and Circuit Notes.

3/2/2022 3:34:06 PM ESSER HVAC Improvements - Washington Elementary School 21002885.01