



**ROCKFORD BOARD OF EDUCATION  
INVITATION FOR BID ON SUPPLIES, MATERIALS, EQUIPMENT OR SERVICES  
FOR SCHOOL DISTRICT NO. 205  
ROCKFORD, ILLINOIS**

IFB No. IFB No. 22-26 Security Vestibule Renovations at Carlson, Beyer, Rolling Green  
and Fairview Schools

DATE: February 24, 2022

RE: **ADDENDUM NO. 2**

---

To All Bidders:

Included are modifications, clarifications and/or corrections for the Project Manual and are hereby made a part of the contract documents. Please attach this addendum to the Project Manual(s) in your possession. Please note the receipt of this addendum on the bid form. Bidders shall review changes to all portions of this work as changes to one portion may affect the work of another.

**If you plan to hand deliver your IFB submission on the due date, please note you must check in on the 1st floor prior to coming to the bid opening. Please allow time for this as late submission will not be accepted.**

Refer all questions relative to the business aspect, Instructions to Bidders, Special Conditions, and questions concerning the technical aspect of the documents to the Director of Purchasing by email at [purchasingdeptstaff@rps205.com](mailto:purchasingdeptstaff@rps205.com).

ROCKFORD BOARD OF EDUCATION

By: Dane Youngblood  
Director of Purchasing

## **ADDENDUM TWO**

Project No.: **21-084**

Date: **February 24, 2022**

Subject: **CHANGES to the BIDDING DOCUMENTS**

Project: **SECURE ENTRANCE RENOVATION PROJECT AT  
VARIOUS SCHOOLS FOR  
ROCKFORD PUBLIC SCHOOL DISTRICT #205  
ROCKFORD, ILLINOIS**

Bids Due: **2:00PM, TUESDAY, MARCH 1, 2022**

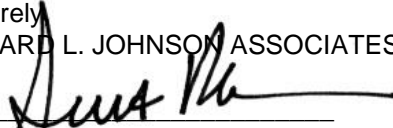
From: **ARCHITECT: RICHARD L. JOHNSON ASSOCIATES, INC.  
4703 CHARLES STREET  
ROCKFORD, IL 61108**

To: **ALL PROJECT DOCUMENT HOLDERS**

Please reproduce this Addendum as needed, and attach to the Project Manuals for the above project.

Bidders shall indicate receipt of this and all Addenda in the space provided on the Bid Form. Failure to do so may be sufficient cause to reject the bid.

Sincerely,  
RICHARD L. JOHNSON ASSOCIATES, INC.

  
\_\_\_\_\_  
Scott R. Johnson, AIA, LEED AP

This Addendum consists of:  
Pages 1 thru 2.  
8-1/2" x 11" Addendum Drawings – ADA2.1 and ADA2.2.

**NOTE:** Wherein this Addendum conflicts with the original Project Manual and Drawings, this Addendum shall govern.

## **CHANGES to the PROJECT MANUAL**

### **1. GENERAL ITEMS**

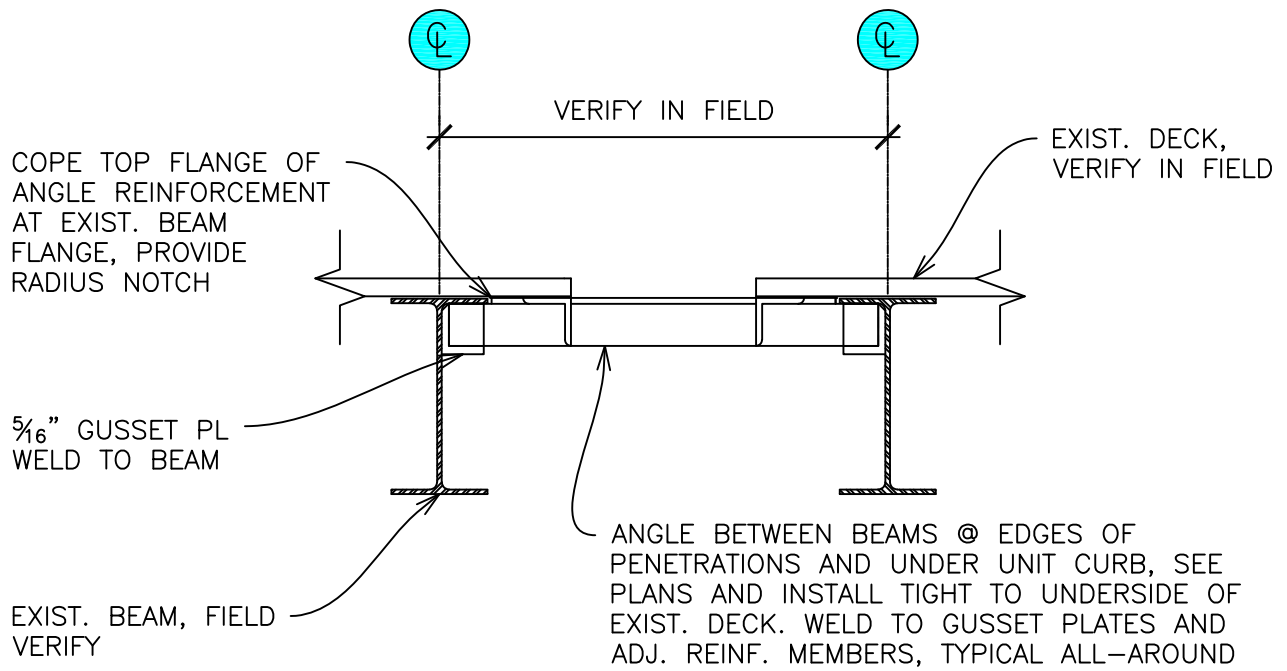
1.1. Carlson Elementary School – See attached addendum drawings ADA2.1 and ADA2.2 showing the additional steel required for the new rooftop unit roof opening.

### **2. SPECIFICATION SECTION 095123**

2.1. Page 095123-3, par. 2.3.A.1: Omit “Armstrong #584BN” and replace with “Armstrong 1717”.

**END ADDENDUM NUMBER 2**





1
 ROOF OPENING/CURB SUPPORT  
 Scale: N.T.S.