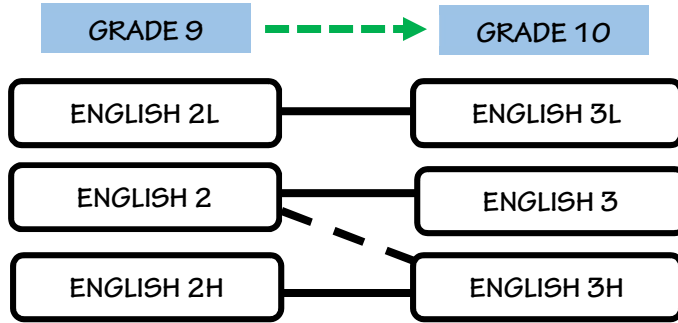


Course Guide for Sophomore Year

In each of the boxes below, locate your current core course to identify appropriate courses for next year

ENGLISH



Consider special programs such as:

CMTHS
ADVANCED PLACEMENT

Freshman TO Sophomore

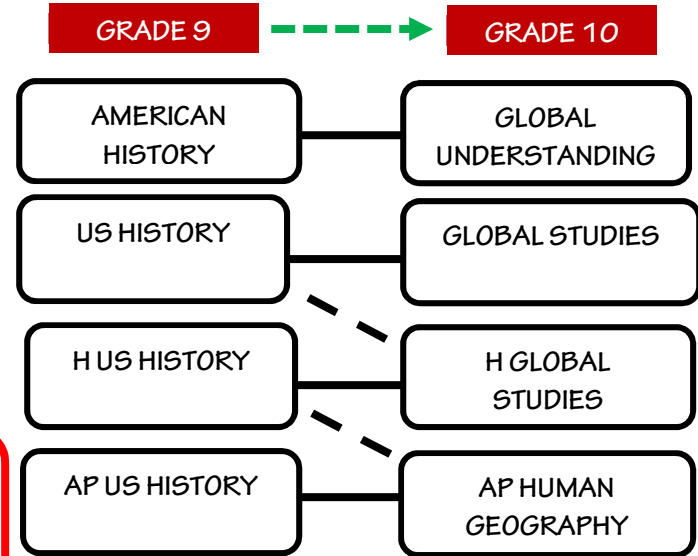
Junior Senior



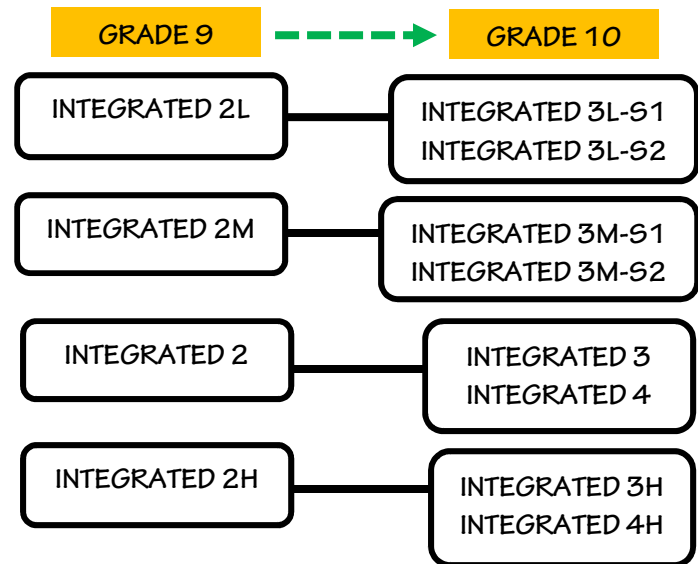
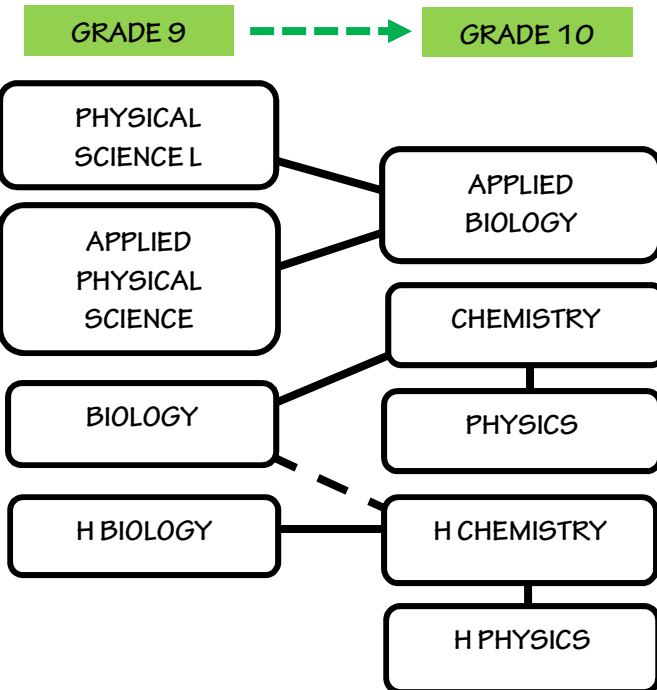
Focus on challenging yourself by scheduling rigorous courses aligned to your career path

It is your responsibility to review graduation requirements

SOCIAL STUDIES



SCIENCE



MATHEMATICS