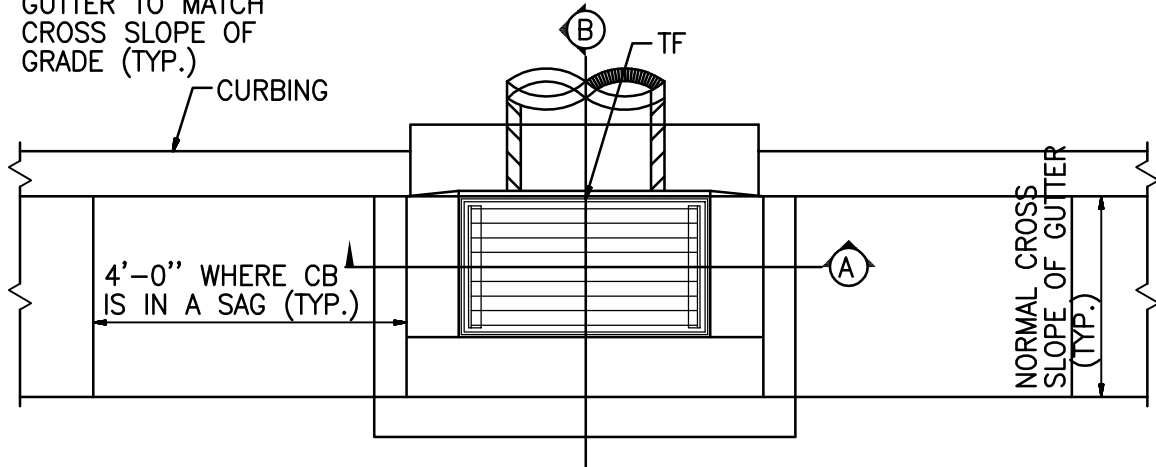


VARY CROSS SLOPE OF  
GUTTER TO MATCH  
CROSS SLOPE OF  
GRADE (TYP.)



J1

TYPE "C-L" CATCH BASIN GRATE

NOT TO SCALE

CG101

**SMRT**

ARCHITECTURE  
ENGINEERING  
PLANNING  
INTERIOR DESIGN  
COMMISSIONING

144 Fore Street/P.O. Box 618  
Portland, Maine 04104  
tel. (207) 772-3846  
fax. (207) 772-1070  
www.smrtinc.com

**NEW BRITAIN ATHLETIC FIELDS  
CHESLEY PARK**  
NEW BRITAIN, CONNECTICUT

SUBJECT:

**ADDED DETAIL J1/CG501  
TYPE "C-L" CATCH BASIN GRATE**

REF. SHEET: CG501 SCALE: NOT TO SCALE

PROJECT MANAGER: RFW ADDENDUM:

A/E OF RECORD: RFW

**ADD-2**

CAD FILE CG501-13096-01

PROJECT NO: 13096

SKETCH No.

DATE: 12-13-13

**C-6**

© COPYRIGHT 2013 SMRT INC.