

**Text and Illustrations
Section R326.6**

Swimming Pools

The drawings contained in this brochure pertain to the Connecticut Amendments to the 2015 International Residential Code portion of the 2018 Connecticut State Building Code.

**The drawings are for illustration purposes only.
The written code text shall apply.**

Guidelines for Residential Swimming Pools, Spas and Hot Tubs

R326.6 Barrier requirements. The provisions of this section shall control the design of barriers for residential swimming pools, spas and hot tubs. These design controls are intended to provide protection against potential drownings and near-drownings by restricting access to swimming pools, spas and hot tubs.

R326.6.1 Outdoor swimming pool. An outdoor swimming pool, including an in-ground, above-ground or on-ground pool, hot tub or spa, shall be surrounded by a barrier which shall comply with the following:

1. The top of the barrier shall be at least 48 inches (1219 mm) above grade measured on the side of the barrier which faces away from the swimming pool. The maximum vertical clearance between grade and the bottom of the barrier shall be 2 inches (51 mm) measured on the side of the barrier which faces away from the swimming pool. Where the top of the pool structure is above grade, such as an above-ground pool, the barrier may be at ground level, such as the pool structure, or mounted on top of the pool structure. Where the barrier is mounted on top of the pool structure, the maximum vertical clearance between the top of the pool structure and the bottom of the barrier shall be 4 inches (102 mm).
2. Openings in the barrier shall not allow the passage of a 4-inch-diameter (102 mm) sphere.
3. Solid barriers which do not have openings, such as a masonry or stone wall, shall not contain indentations or protrusions, except for normal construction tolerances and tooled masonry joints.
4. Where the barrier is composed of horizontal and vertical members, and the distance between the tops of the horizontal members is less than 45 inches (1143 mm), the horizontal members shall be located on the swimming pool side of the fence. Spacing between vertical members shall not exceed 1 $\frac{3}{4}$ inches (44 mm) in width. Where there are decorative cutouts within vertical members, spacing within the cutouts shall not exceed 1 $\frac{3}{4}$ inches (44 mm) in width.
5. Where the barrier is composed of horizontal and vertical members, and the distance between the tops of the horizontal members is 45 inches (1143 mm) or more, spacing between vertical members shall not exceed 4 inches (102 mm). Where there are decorative cutouts within vertical members, spacing within the cutouts shall not exceed 1 $\frac{3}{4}$ inches (44 mm) in width.
6. Maximum mesh size for chain link fences shall be a 2 $\frac{1}{4}$ -inch (57 mm) square, unless the fence has slats fastened at the top or the bottom which reduce the openings to not more than 1 $\frac{3}{4}$ inches (44 mm).

7. Where the barrier is composed of diagonal members, such as a lattice fence, the maximum opening formed by the diagonal members shall not be more than 1 3/4 inches (44 mm).

8. Access gates shall comply with the requirements of Items 1 through 7, and shall be equipped to accommodate a locking device. Pedestrian access gates shall open outward away from the pool, and shall be self-closing and have a self-latching device. Gates, other than pedestrian access gates, shall have a self-latching device. Where the release mechanism of the self-latching device is located less than 54 inches (1372 mm) from the bottom of the gate, the release mechanism and openings shall comply with the following:

8.1 The release mechanism shall be located on the pool side of the gate at least 3 inches (76 mm) below the top of the gate; and

8.2 The gate and barrier shall have no opening larger than 1/2 inch (12.7 mm) within 18 inches (457 mm) of the release mechanism.

9. Where a wall of a dwelling serves as part of the barrier, one of the following conditions shall be met:

9.1 The pool shall be equipped with a powered safety cover in compliance with ASTM F1346;

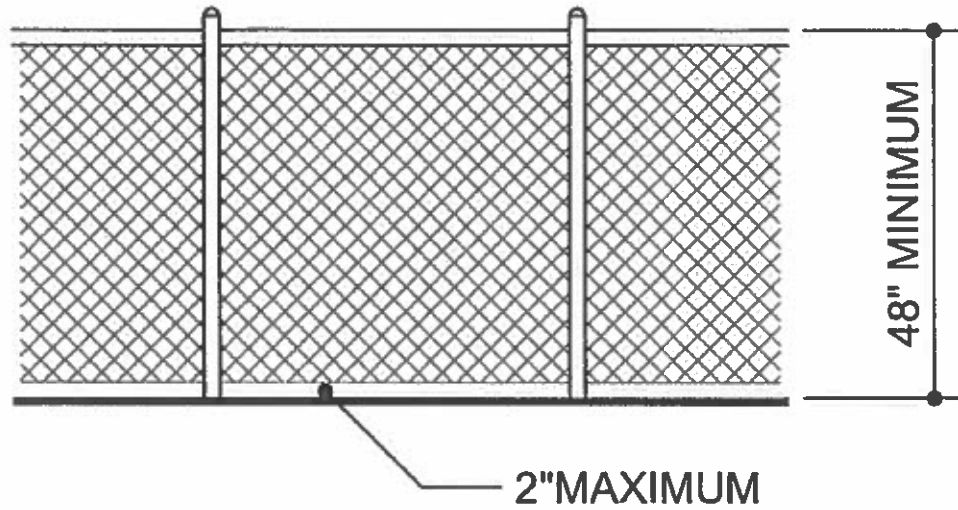
9.2 Doors with direct access to the pool through that wall shall be equipped with an alarm that produces an audible warning when the door and/or its screen, if present, are opened. The alarm shall be listed and labeled in accordance with UL 2017. The deactivation switch(es) shall be located at least 54 inches (1372 mm) above the threshold of the door; or

9.3 Other means of protection, such as self-closing doors with self-latching devices, which are approved by the governing body, shall be acceptable as long as the degree of protection afforded is not less than the protection afforded by Item 9.1 or 9.2 described herein.

10. Where an above-ground or on-ground pool structure is used as a barrier or where the barrier is mounted on top of the pool structure, and the means of access is a ladder or steps, the ladder or steps shall be surrounded by a barrier that meets the requirements of Items 1 to 9, inclusive.

R326.6.2 Indoor swimming pool. Walls surrounding an indoor swimming pool shall comply with Item 9 of Section R326.6.1.

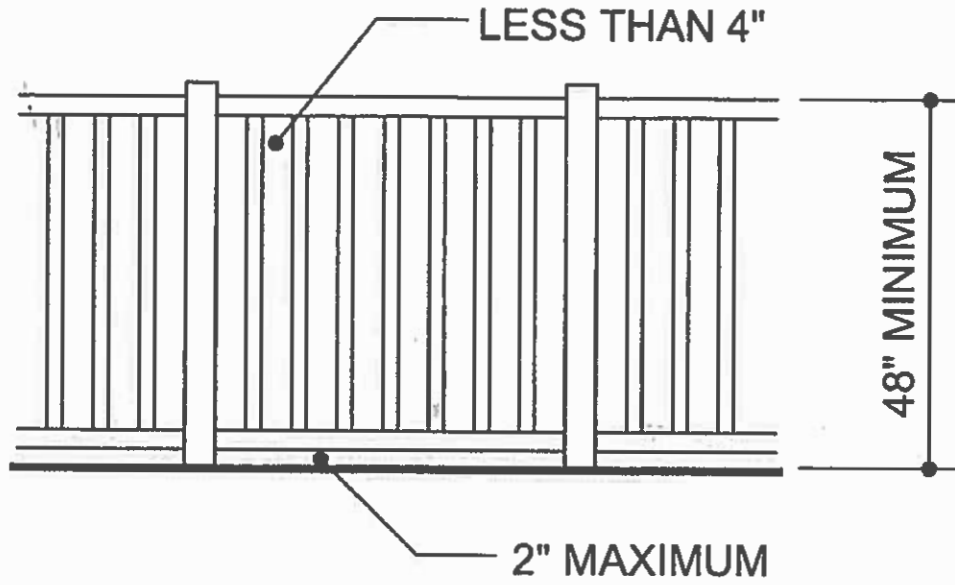
R326.6.3 Barrier perimeter clearance. The required barrier height shall exist around the entire perimeter of the barrier and for a distance of 3 feet (914 mm)



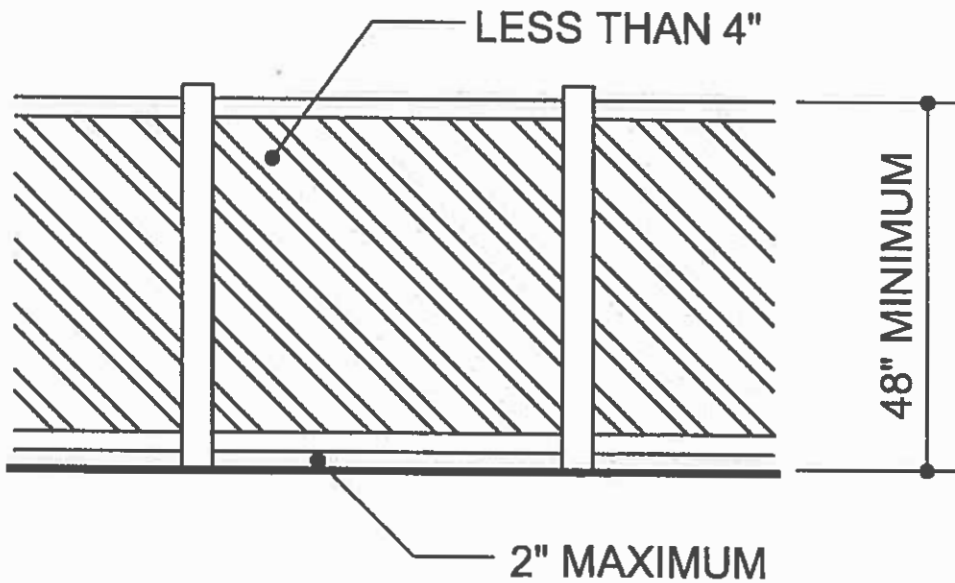
ELEVATION

OUTSIDE OF THE POOL ENCLOSURE

SECTION R326.6.1, ITEM 1

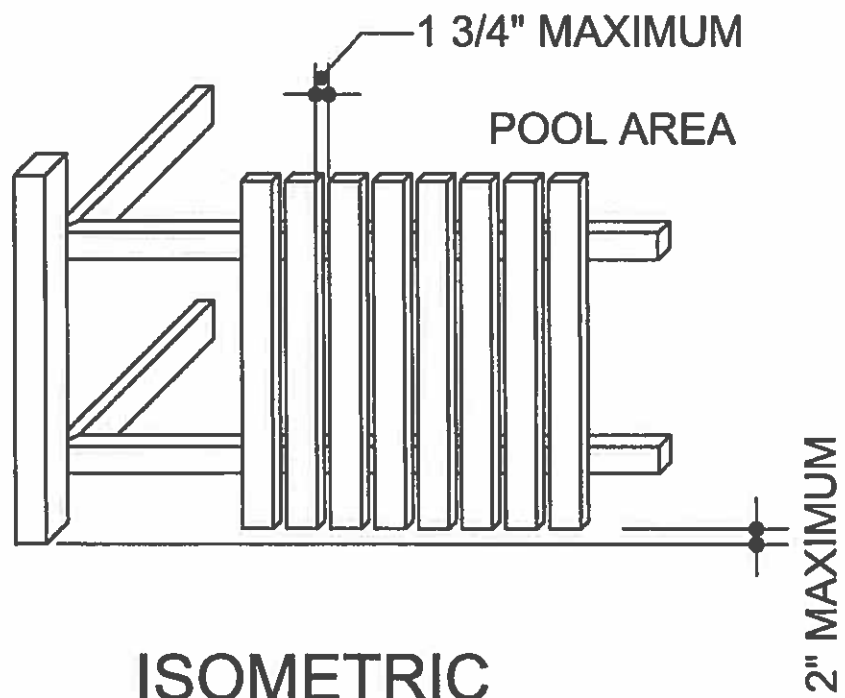
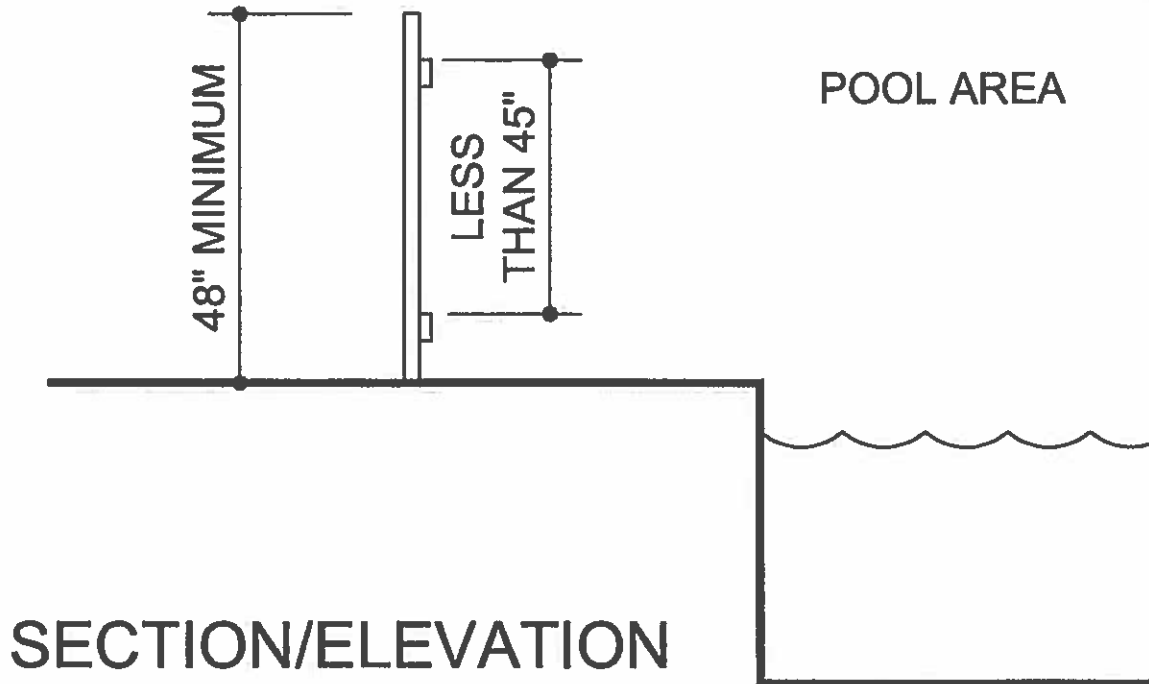


ELEVATION

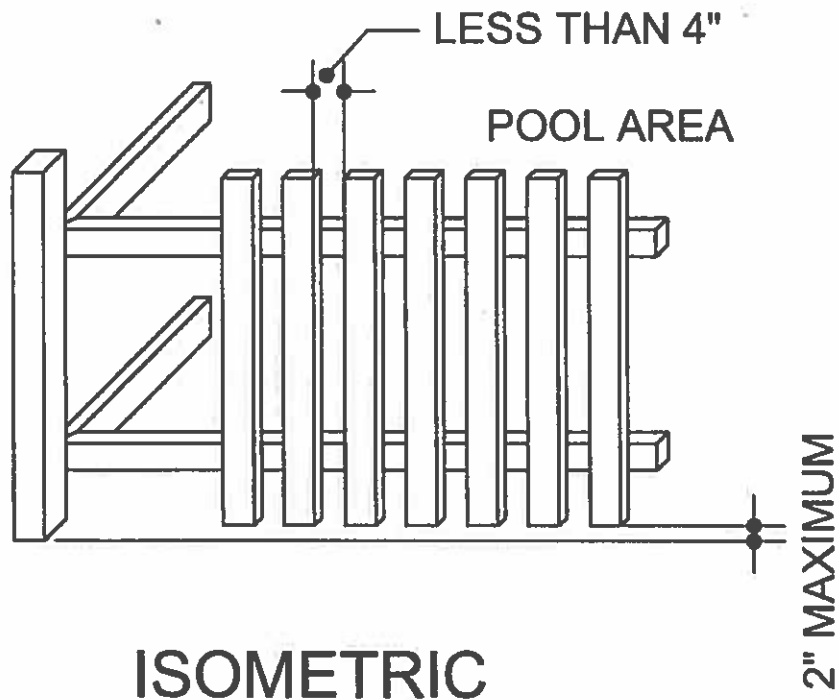
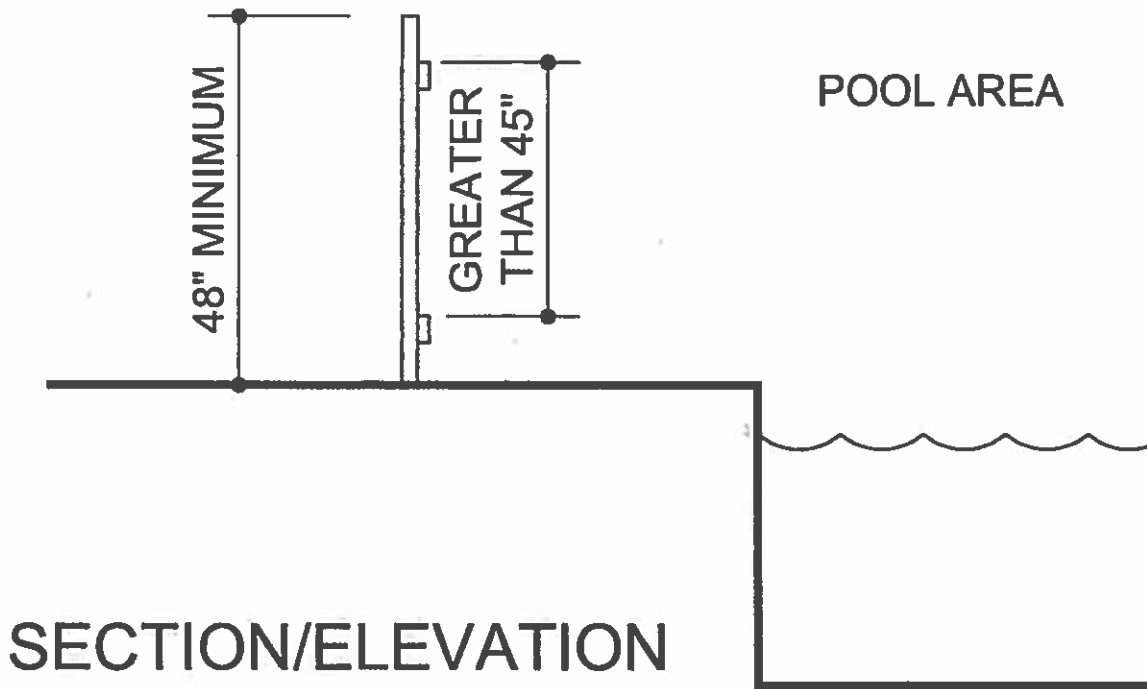


ELEVATION

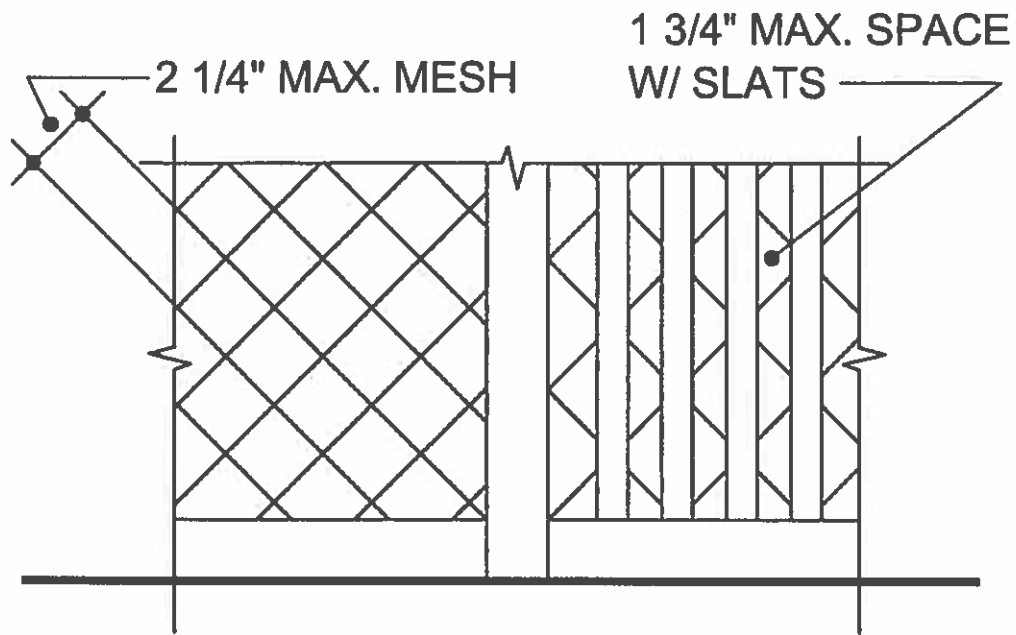
SECTION R326.6.1, ITEM 2



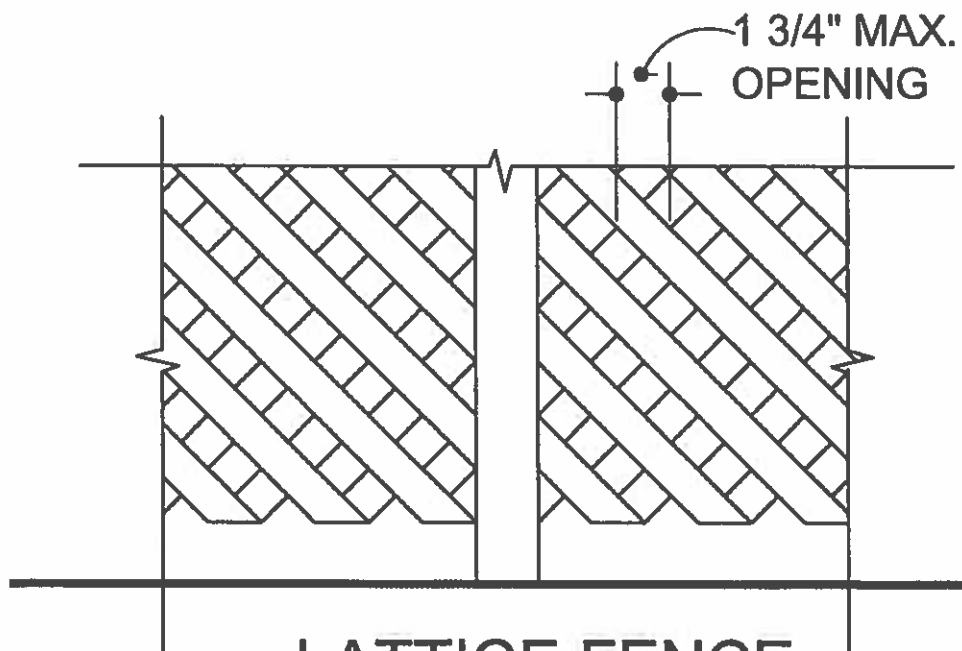
SECTION R326.6.1, ITEM 4



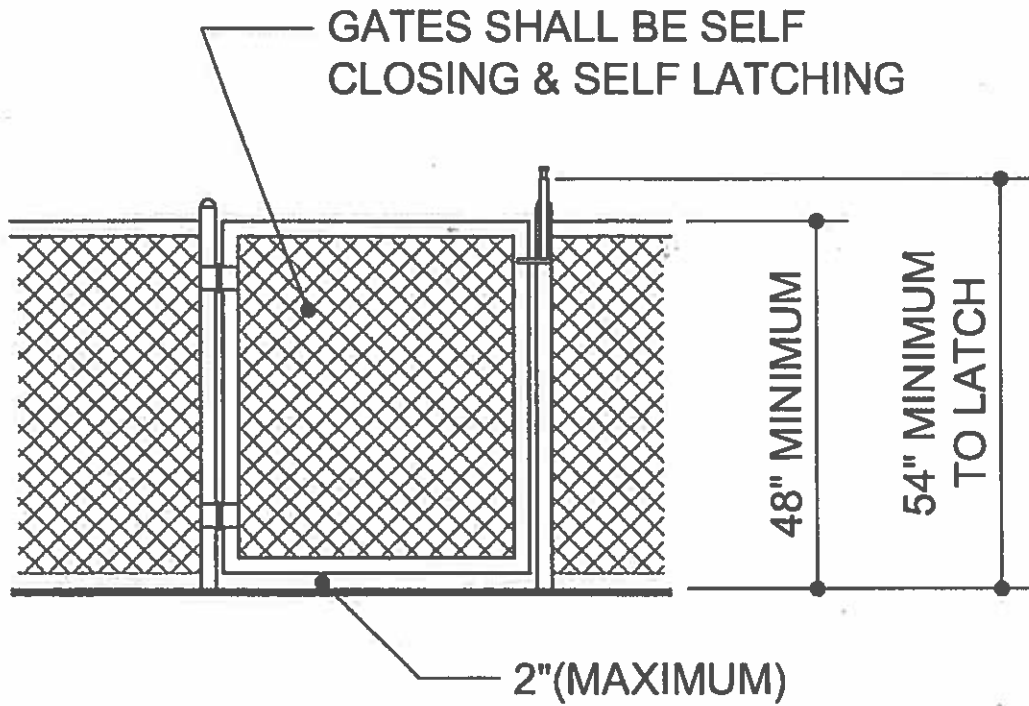
SECTION R326.6.1, ITEM 5



CHAIN LINK FENCE
SECTION R326.6.1, ITEM 6



LATTICE FENCE
SECTION R326.6.1, ITEM 7



ELEVATION

PEDESTRIAN ACCESS GATE

SECTION R326.6.1, ITEM 8