



T M P ARCHITECTURE I N C
 1191 WEST SQUARE LAKE ROAD · BLOOMFIELD HILLS · MICHIGAN · 48302
 PH · 248.338.4561 FX · 248.338.0223 EM · INFO@TMP-ARCHITECTURE.COM

BEMIS ELEMENTARY SCHOOL DOOR REPLACEMENT

TROY SCHOOL DISTRICT - TROY, MICHIGAN

2013 BOND PROGRAM - BID PACKAGE NO.33
 PROJECT NUMBER: 13158E
 CONSTRUCTION DOCUMENTS

LIST OF DRAWINGS

GENERAL INFORMATION

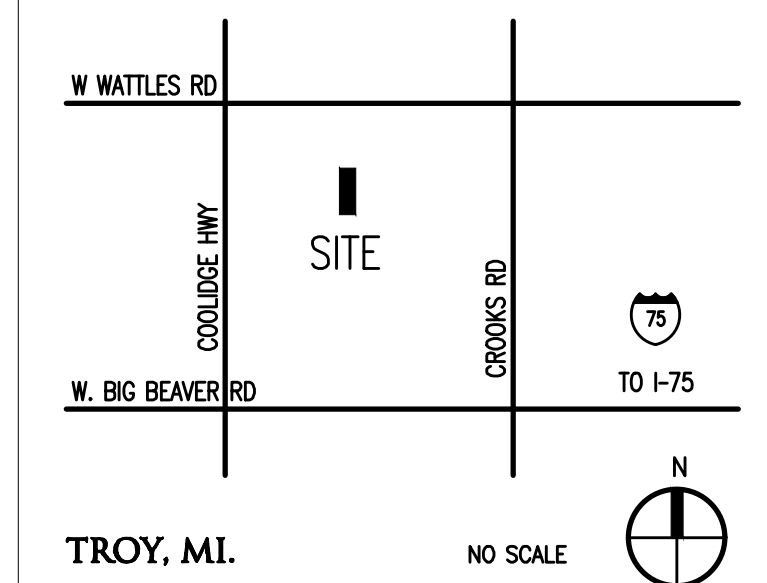
- TS.1 COVER SHEET
- TG.1 GENERAL INFORMATION

ARCHITECTURAL

- AC.1 FIRST LEVEL COMPOSITE PLAN
- AD.1 DOOR & FRAME SCHEDULE
- AD.2 DOOR & FRAME DETAILS
- AD.1A FIRST LEVEL DEMOLITION PLAN- ZONE A
- AD.1B FIRST LEVEL DEMOLITION PLAN- ZONE B
- AD.1C FIRST LEVEL DEMOLITION PLAN- ZONE C
- A1.1A FIRST LEVEL FLOOR PLAN- ZONE A
- A1.1B FIRST LEVEL FLOOR PLAN- ZONE B
- A1.1C FIRST LEVEL FLOOR PLAN- ZONE C

PROJECT DATA:

LOCATION MAP



ADDRESS: BEMIS ELEMENTARY SCHOOL
 3571 NORTHFIELD PKWY
 TROY, MI 48084

BUILDING:

BUILDING AREA(S) = 64,470 SQ. FT. (EXISTING)

CODE:

- GOVERNING CODES:**
- 2016 SCHOOL FIRE SAFETY RULES (2012 Life Safety Code, plus amendments)
 - 2015 MICHIGAN BUILDING CODE
 - 2015 MICHIGAN PLUMBING CODE
 - 2015 MICHIGAN MECHANICAL CODE
 - 2005 MICHIGAN UNIFORM ENERGY CODE (ANSI/ASHRAE/IESNA Standard 90.1-2013)
 - 2017 MICHIGAN ELECTRICAL RULES (2017 NEC, plus Part 8 Rules)
 - 2010 MICHIGAN ELEVATOR RULES (ASME A17.1-2010, ASME A18.1-2011)
 - MICHIGAN BARRIER FREE CODE (Michigan Building Code 2015 and ICC A117.1-2009)
 - 2013 MICHIGAN BOILER CODE RULES (ASME Boiler and Pressure Vessel Code, 2010 edition, plus 2011a addenda)
 - (National Board Inspection Code [NBIC], 2011 edition)
- CONSTRUCTION CLASSIFICATION: II-B(MBC)/11(000)NFPA
 USE GROUP CLASSIFICATION: E-EDUCATION

11-1-21 CONSTRUCTION DOCUMENTS
 DATE ISSUED FOR:

LICENSEE'S STATEMENT:

This Document has been prepared under the supervision of the Architect, as the person in Responsible Charge with the firm of TMP ARCHITECTURE, INC. An original embossed or rubber stamp seal and original signature of the Architect is required and shall be affixed to any copy of this Document submitted to a governmental agency for approval or record. This is in conformance with the State of Michigan's PA 299, Article 20 and the General Rules of the Board of Architects.

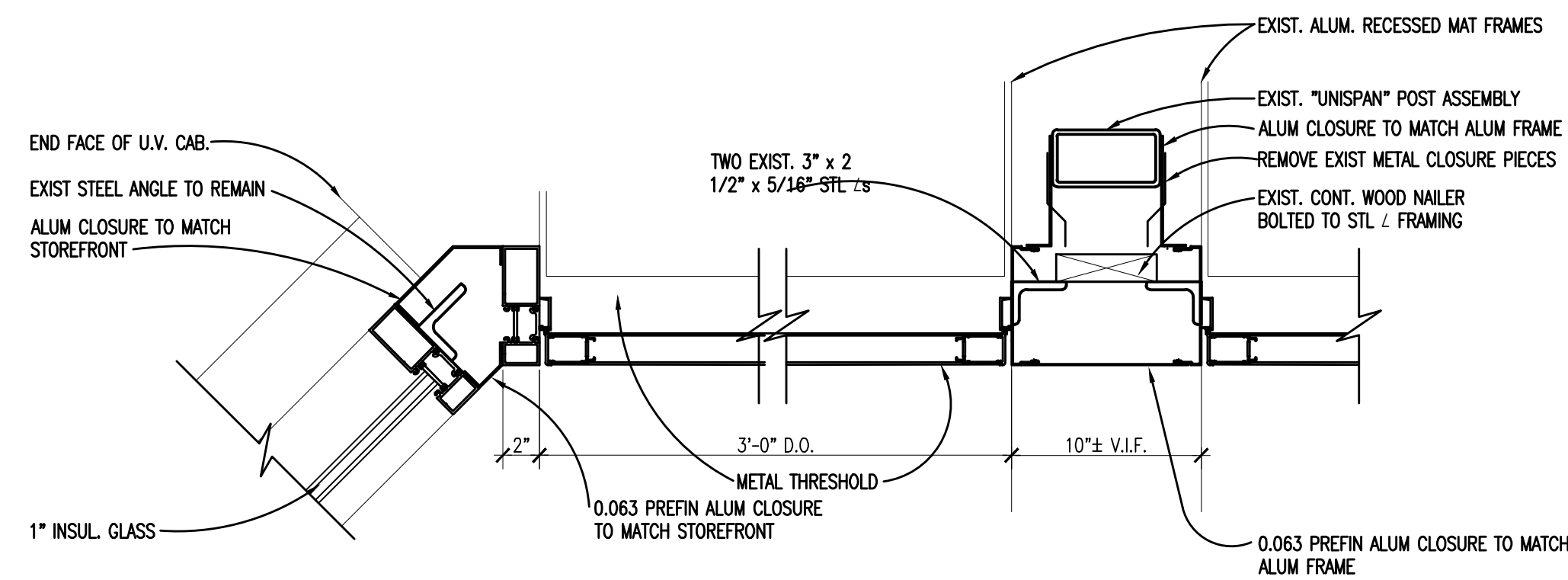
The Architect's seal provided hereon does not take responsibility for certain portions of the Documentation or project requiring the services of a licensed Professional Engineer or other design professional. An original embossed or rubber stamp seal and original signature of the Professional Engineer is required and shall be affixed to any copy of this or other Document submitted to a governmental agency for approval or record. The engineering firms associated with this document are listed above as Consultants.

REGISTRATION SEALS

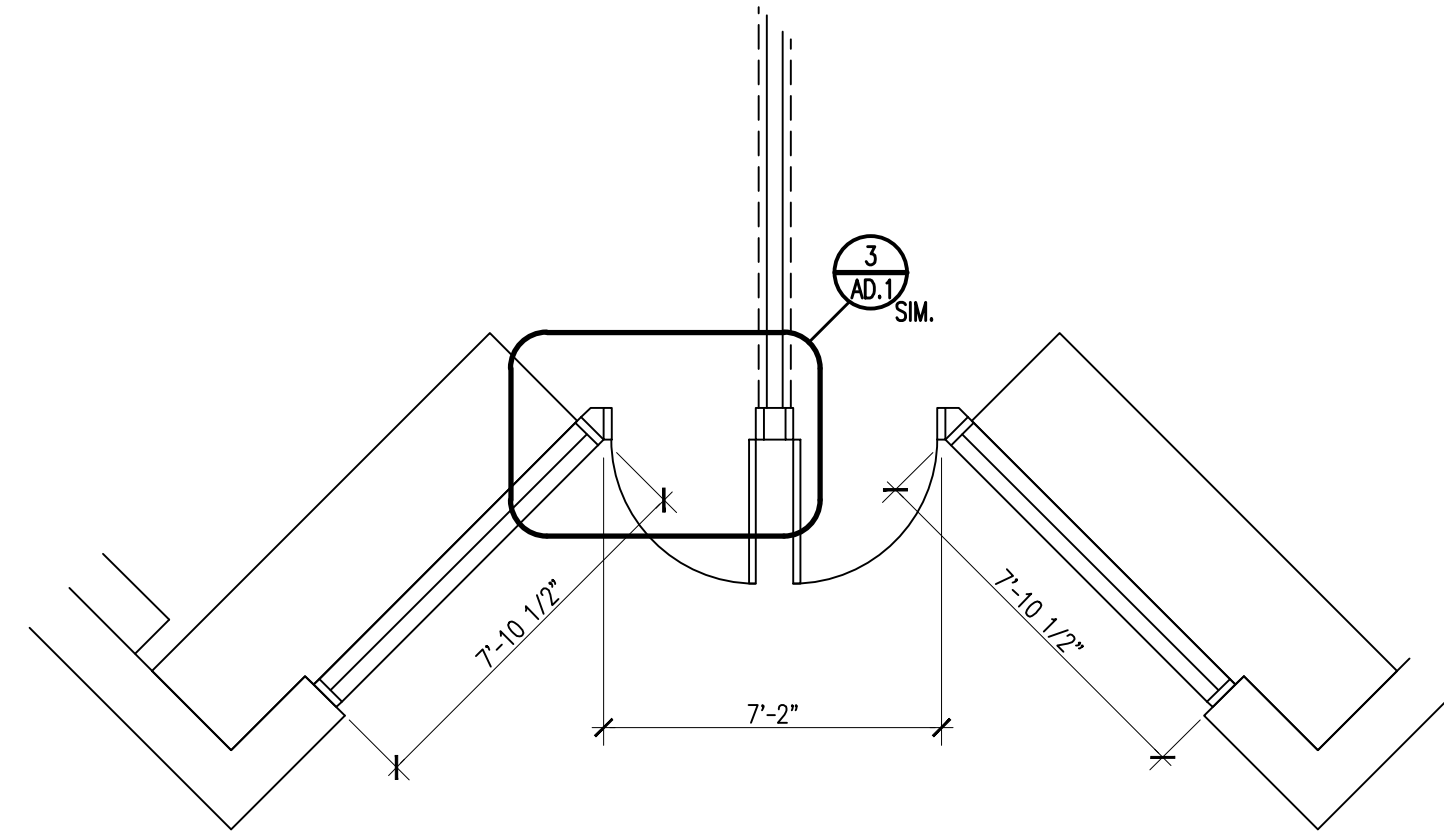
COPYRIGHT

© The "architectural work" displayed on these documents is owned exclusively by TMP Architecture, Inc. and may not be used for any purpose without their involvement or express written consent.

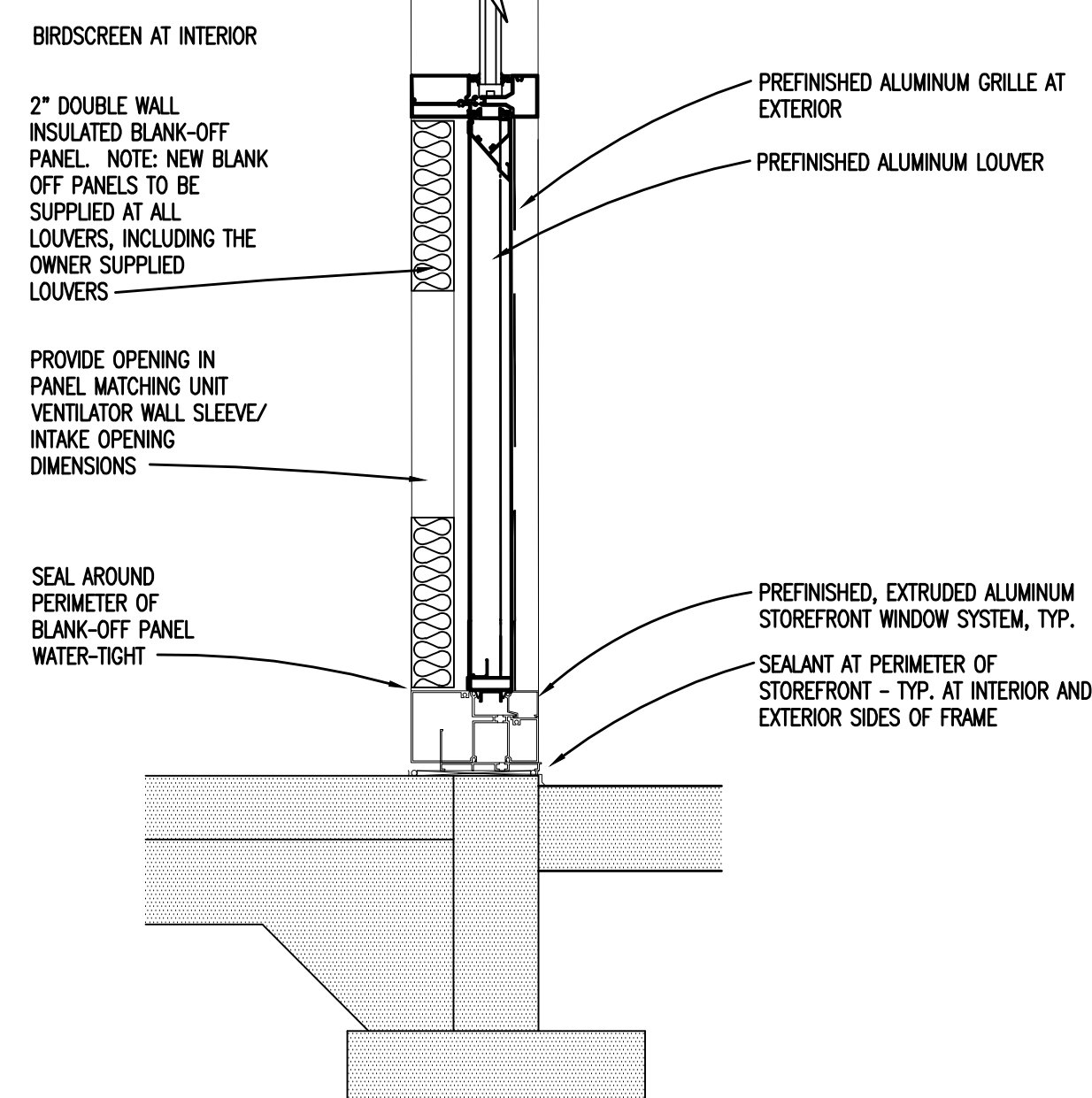
PROJECT TITLE
Bemis Elementary School Door Replacement
 PROJECT NO.
13158E
 DRAWING NO.
TS.1



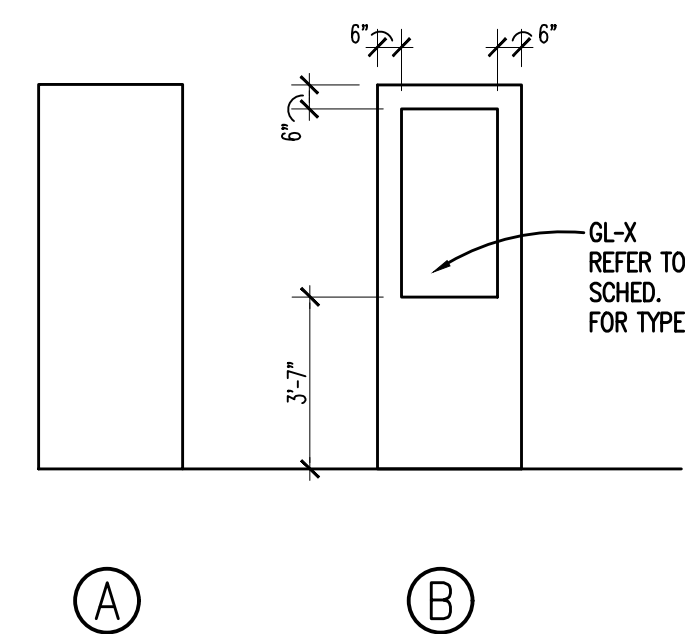
3 HM DOOR JAMB DETAIL
SCALE: 1 1/2" = 1'-0"



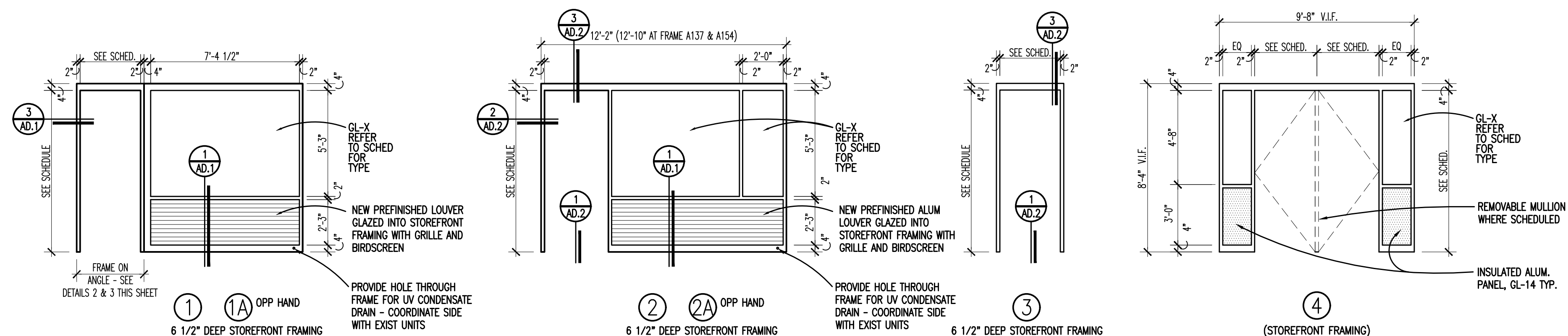
2 TYPICAL CLASSROOM ENTRANCE
SCALE: 1/4" = 1'-0"



1 ALUMINUM WINDOW FRAME SILL DETAIL
SCALE: 1 1/2" = 1'-0"



DOOR TYPES



FRAME TYPES

DOOR & FRAME SCHEDULE														
Opening No.	Opening Size (Width x Height)	Door			Frame			Details			Threshold	U.L. Label	Set Hdw.	Remarks
		Type	Material	Finish	Glass	Type	Material	Finish	Glass	Head				
Zone 'A'														
A121	(2) 3'-0" x 8'-0"	B	FRP	PFN	.	4	AL	PFN	02	CYLINDER, REM MULLION
A137	3'-0" x 8'-0"	A	FRP	PFN	.	2	AL	PFN	GL-11	3/AD.2	2/AD.2	1/AD.2	09	CYLINDER
A141	3'-0" x 8'-0"	A	FRP	PFN	.	2	AL	PFN	GL-11	3/AD.2	2/AD.2	1/AD.2	09	CYLINDER
A145	3'-0" x 8'-0"	A	FRP	PFN	.	2A	AL	PFN	GL-11	3/AD.2	2/AD.2	1/AD.2	09	CYLINDER
A148	(2) 3'-0" x 8'-0"	B	FRP	PFN	.	4	AL	PFN	02	CYLINDER, REM MULLION
A154	3'-0" x 8'-0"	A	FRP	PFN	.	2	AL	PFN	09	CYLINDER
A162	3'-0" x 8'-0"	A	FRP	PFN	.	3	AL	PFN	.	4/AD.2	2/AD.2	1/AD.2	04	CYLINDER
A163	(2) 3'-0" x 8'-0"	B	FRP	PFN	.	3	AL	PFN	02	CYLINDER, REM MULLION
Zone 'B'														
B102	3'-0" x 8'-0"	A	FRP	PFN	.	1A	AL	PFN	GL-11	.	3/AD.1	.	09	CYLINDER
B103	3'-0" x 8'-0"	A	FRP	PFN	.	1	AL	PFN	GL-11	.	3/AD.1	.	09	CYLINDER
B104	3'-0" x 8'-0"	A	FRP	PFN	.	1A	AL	PFN	GL-11	.	3/AD.1	.	09	CYLINDER
B112	3'-0" x 8'-0"	A	FRP	PFN	.	1	AL	PFN	GL-11	.	3/AD.1	.	09	CYLINDER
B113	3'-0" x 8'-0"	A	FRP	PFN	.	1A	AL	PFN	GL-11	.	3/AD.1	.	09	CYLINDER
B114	3'-0" x 8'-0"	A	FRP	PFN	.	1	AL	PFN	GL-11	.	3/AD.1	.	09	CYLINDER
B115	3'-0" x 8'-0"	A	FRP	PFN	.	1A	AL	PFN	GL-11	.	3/AD.1	.	09	CYLINDER
B116	3'-0" x 8'-0"	A	FRP	PFN	.	1	AL	PFN	GL-11	3/AD.2	2/AD.2	1/AD.2	09	CYLINDER
B117	3'-0" x 8'-0"	A	FRP	PFN	.	1A	AL	PFN	GL-11	3/AD.2	2/AD.2	1/AD.2	09	CYLINDER
Zone 'C'														
C102	3'-0" x 8'-0"	A	FRP	PFN	.	1	AL	PFN	GL-11	3/AD.2	2/AD.2	1/AD.2	09	CYLINDER
C105	3'-0" x 8'-0"	A	FRP	PFN	.	1A	AL	PFN	GL-11	3/AD.2	2/AD.2	1/AD.2	09	CYLINDER
C108	3'-0" x 8'-0"	A	FRP	PFN	.	1	AL	PFN	GL-11	.	3/AD.1	.	09	CYLINDER
C111	3'-0" x 8'-0"	A	FRP	PFN	.	1A	AL	PFN	GL-11	.	3/AD.1	.	09	CYLINDER
C114	3'-0" x 8'-0"	A	FRP	PFN	.	1	AL	PFN	GL-11	.	3/AD.1	.	09	CYLINDER
C117	3'-0" x 8'-0"	A	FRP	PFN	.	1A	AL	PFN	GL-11	.	3/AD.1	.	09	CYLINDER
C128	3'-0" x 8'-0"	A	FRP	PFN	.	1	AL	PFN	GL-11	.	3/AD.1	.	09	CYLINDER
C131	3'-0" x 8'-0"	A	FRP	PFN	.	1A	AL	PFN	GL-11	.	3/AD.1	.	09	CYLINDER
C134	3'-0" x 8'-0"	A	FRP	PFN	.	1	AL	PFN	GL-11	.	3/AD.1	.	09	CYLINDER



TMP ARCHITECTURE INC
1071 WEST SQUARE LAKE ROAD
BLOOMFIELD HILLS, MICHIGAN 48302
PH - 248.338.4561 FX - 248.338.0023
EM - INFO@TMPARCHITECTURE.COM

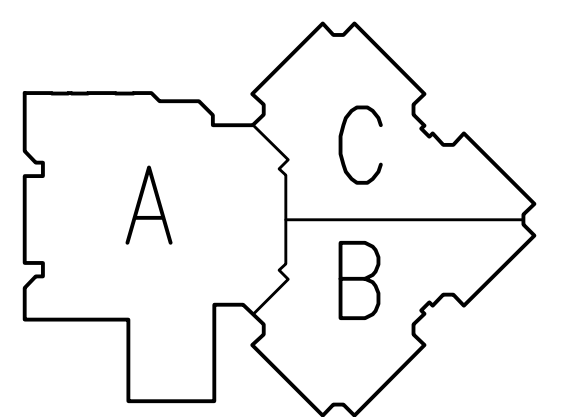
REGISTRATION SEAL

CONSULTANT

PROJECT TITLE
Bemis Elementary School Door Replacement Bid Package No.33

Troy School District
Troy, Michigan

DRAWING TITLE
Door & Frame Schedule



ISSUE DATES

11-1-21	CONSTRUCTION DOCUMENTS
DATE:	ISSUED FOR:

DRAWN JPW:BG

CHECKED

APPROVED

PROJECT NO.

13158E

DRAWING NO.

AD.1

DOOR SCHEDULE ABBREVIATIONS AND NOTES

(REFER TO SPECIFICATIONS FOR ADDITIONAL DOOR INFORMATION)

DOOR SCHEDULE ABBREVIATIONS

AL	ALUMINUM
ALGL	ALUMINUM AND GLASS
FRP	FIBERGLASS REINFORCED POLYESTER
HM	HOLLOW METAL
MET	METAL THRESHOLD
PFN	PREFINISHED BY MANUFACTURER
PTD	PAINTED

DOOR SCHEDULE GENERAL NOTES

- GALVANIZED METAL TO BE PROVIDED FOR HOLLOW METAL DOOR AND/OR FRAME AT EXTERIOR LOCATION.
- DOORS ARE 1-3/4" THICK UNLESS OTHERWISE NOTED.
- DETAIL NUMBERS NOTED SIM. REFER TO DETAILS SHOWING HEAD, JAMB, AND/OR SILL DETAILS THAT REPRESENT CONDITIONS SIMILAR TO THOSE NOTED.
- HOLLOW METAL FRAMES SET IN MASONRY WALLS ARE 5 3/4" WIDE (U.O.N.).
- HOLLOW METAL FRAMES, SET IN GYPSUM BD./METAL STUD PARTITIONS, SHALL BE "DOUBLE BACK-BEND" FRAMES WITH A THROAT DIMENSION EQUAL TO THE PARTITION THICKNESS PLUS 3/16" RETURNS ON EACH SIDE OF THE PARTITION. PROVIDE EQUAL RABBETS.
- AN ASTERISK (*) CALLS ATTENTION TO THE REMARKS COLUMN OF THE SCHEDULE.

U.L. DOOR LABEL DESIGNATIONS:

U.L. LABEL**	MIN. OPENING PROTECTION ASSEMBLY
180	3 HR. FIRE RATING
90	1-1/2 HR. FIRE RATING
60	1 HR. FIRE RATING
45	3/4 HR. FIRE RATING
20	1/3 HR. FIRE RATING

** ALL FIRE RATED DOORS SHALL BE SMOKE AND DRAFT CONTROL LABELED IN ADDITION TO U.L. LABELS INDICATED.



TMP ARCHITECTURE INC
 191 WEST SQUARE LAKE ROAD
 BLOOMFIELD HILLS • MICHIGAN • 48302
 PH • 248.338.4561 FX • 248.338.0223
 EM • INFO@TMPARCHITECTURE.COM

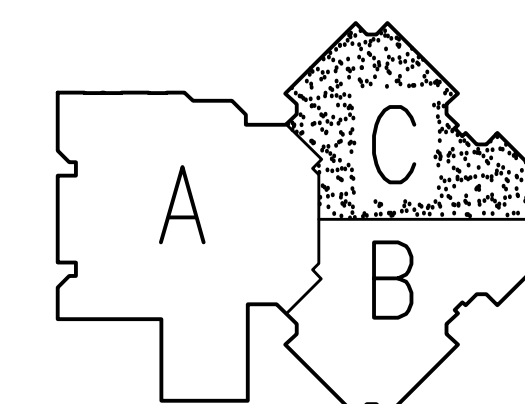
REGISTRATION SEAL

CONSULTANT

PROJECT TITLE
Bemis Elementary School
Door Replacement
Bid Package No.33

Troy School District
 Troy, Michigan

DRAWING TITLE
 Demolition Plan -
 Zone 'C'



ISSUE DATES

DATE	ISSUED FOR:
11-1-21	CONSTRUCTION DOCUMENTS
DRAWN	JPW,BG
CHECKED	
APPROVED	

PROJECT NO.
13158E
 DRAWING NO.
A0.1C

GENERAL NOTES

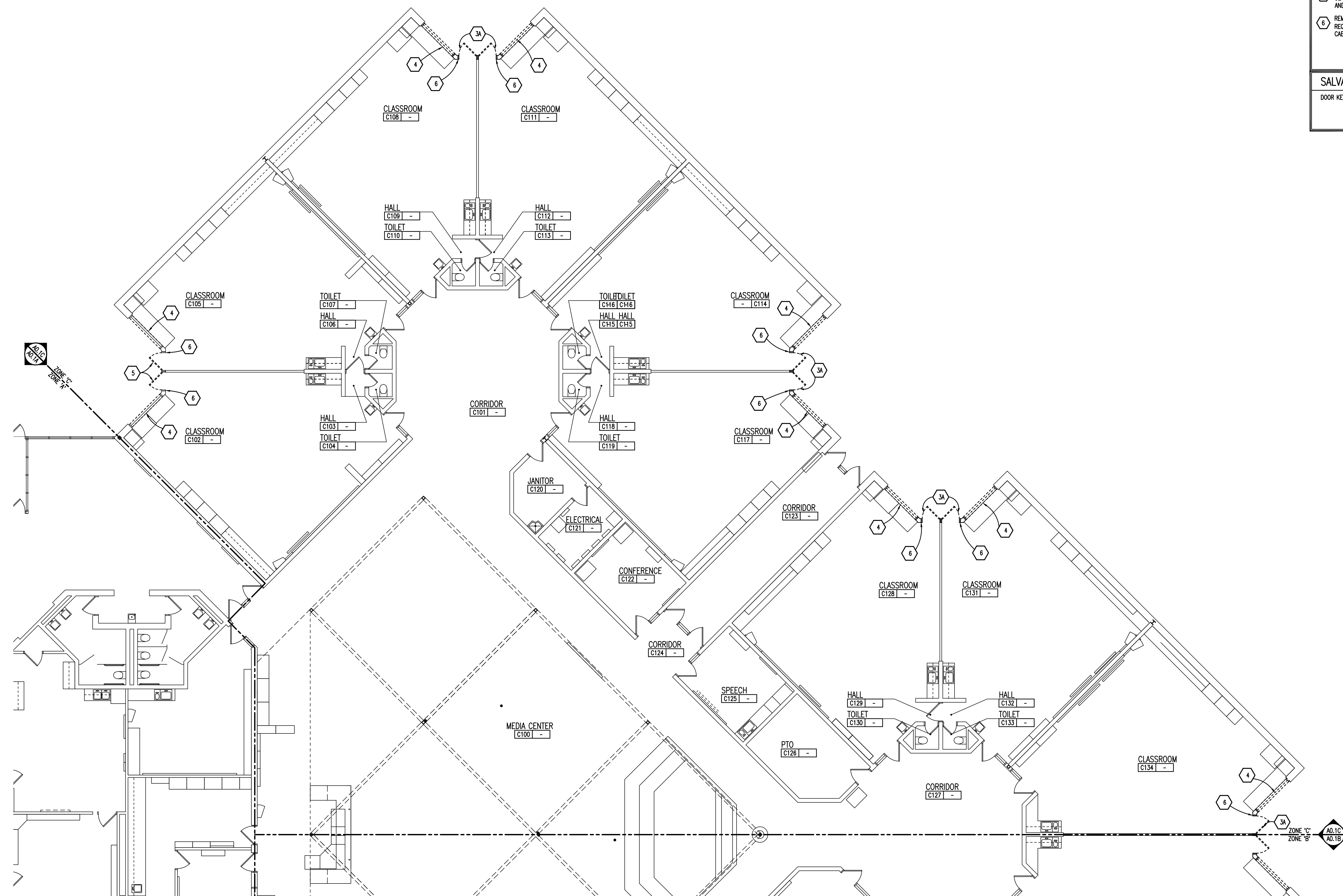
- REFER TO MECHANICAL AND ELECTRICAL DRAWINGS FOR RELATED AND ADDITIONAL DEMOLITION AND PATCHING WORK BY MECHANICAL AND ELECTRICAL TRADES.
- REFER TO ARCHITECTURAL PLANS AT 1/4" FOR ADDITIONAL PATCHING/REPAIR AT EXTERIOR OF BUILDING, INCLUDING (BUT NOT LIMITED TO) DEMOLITION NOTES RELATED TO WINDOW REPLACEMENT.
- UNLESS OTHERWISE INDICATED, TOOTH NEW MATERIAL, INTO EXISTING, WHEREVER INFILL REMAINS EXPOSED.
- SEE SPECIFICATION SECTIONS FOR ADDITIONAL DEMOLITION AND PATCHING REQUIREMENTS.
- SEE DOOR SCHEDULE A.D.X FOR ADDITIONAL REMARKS.

DEMOLITION KEYNOTES

- REMOVE DOOR AND FRAME.
- REMOVE EXTERIOR ALUMINUM DOORS, THRESHOLDS, FRAMING AND GLAZING, INCLUDING ADJACENT GLAZED-IN PANELS.
- REMOVE EXTERIOR HOLLOW METAL DOORS, FRAMING, INCLUDING ADJACENT GLAZED-IN PANELS, LOUVERS AND THRESHOLDS.
- REMOVE EXTERIOR HOLLOW METAL FRAMING, HOLLOW METAL DOORS, SIDELIGHTS, LOUVERS, DOOR THRESHOLDS, AND DOOR HARDWARE BY ASBESTOS CONTRACTOR.
- REMOVE CURTAIN TRACK/CURTAIN AND/OR VERTICAL BLINDS. FILL, PATCH, REPAIR AND FINISH TO MATCH EXISTING.
- REMOVE EXTERIOR ALUMINUM PLANK DOORS, THRESHOLDS, FRAMING AND GLAZING, INCLUDING ADJACENT GLAZED-IN PANELS. RETURN PLANK DOORS AND HARDWARE TO OWNER.
- REMOVE AND REINSTALL FIRE ALARM PULL STATION IN SAME LOCATION AS REQUIRED FOR WORK INDICATED. PROVIDE NEW CONDUIT (WIREMOLD) AND CABLING AS REQUIRED.

SALVAGED ITEMS

DOOR KEY CORES



DEMOLITION PLAN - ZONE 'C'
 SCALE: 1/8" = 1'-0"

Drawing File: C:\Users\jpw\OneDrive\Documents\13158E\13158E.dwg
 Date: 11/1/21 10:55am



TMP ARCHITECTURE INC
 1391 WEST SQUARE LAKE ROAD
 BLOOMFIELD HILLS - MICHIGAN - 48302
 PH - 248.338.4561 FX - 248.338.0223
 EM - INFO@TMPARCHITECTURE.COM

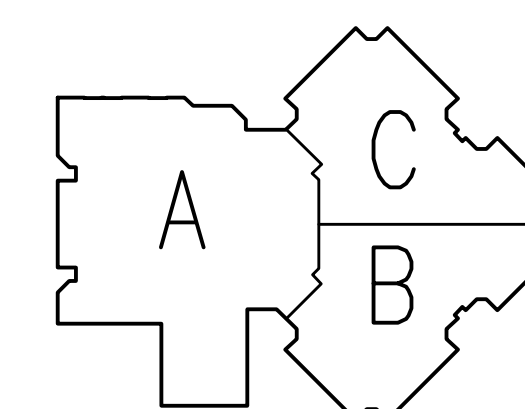
REGISTRATION SEAL

CONSULTANT

PROJECT TITLE
**Bemis Elementary School
 Door Replacement
 Bid Package No.33**

Troy School District
 Troy, Michigan

DRAWING TITLE
Composite Floor Plan



ISSUE DATES

DATE	ISSUED FOR:
11-1-21	CONSTRUCTION DOCUMENTS
DRAWN	JPW,BG
CHECKED	
APPROVED	

PROJECT NO.

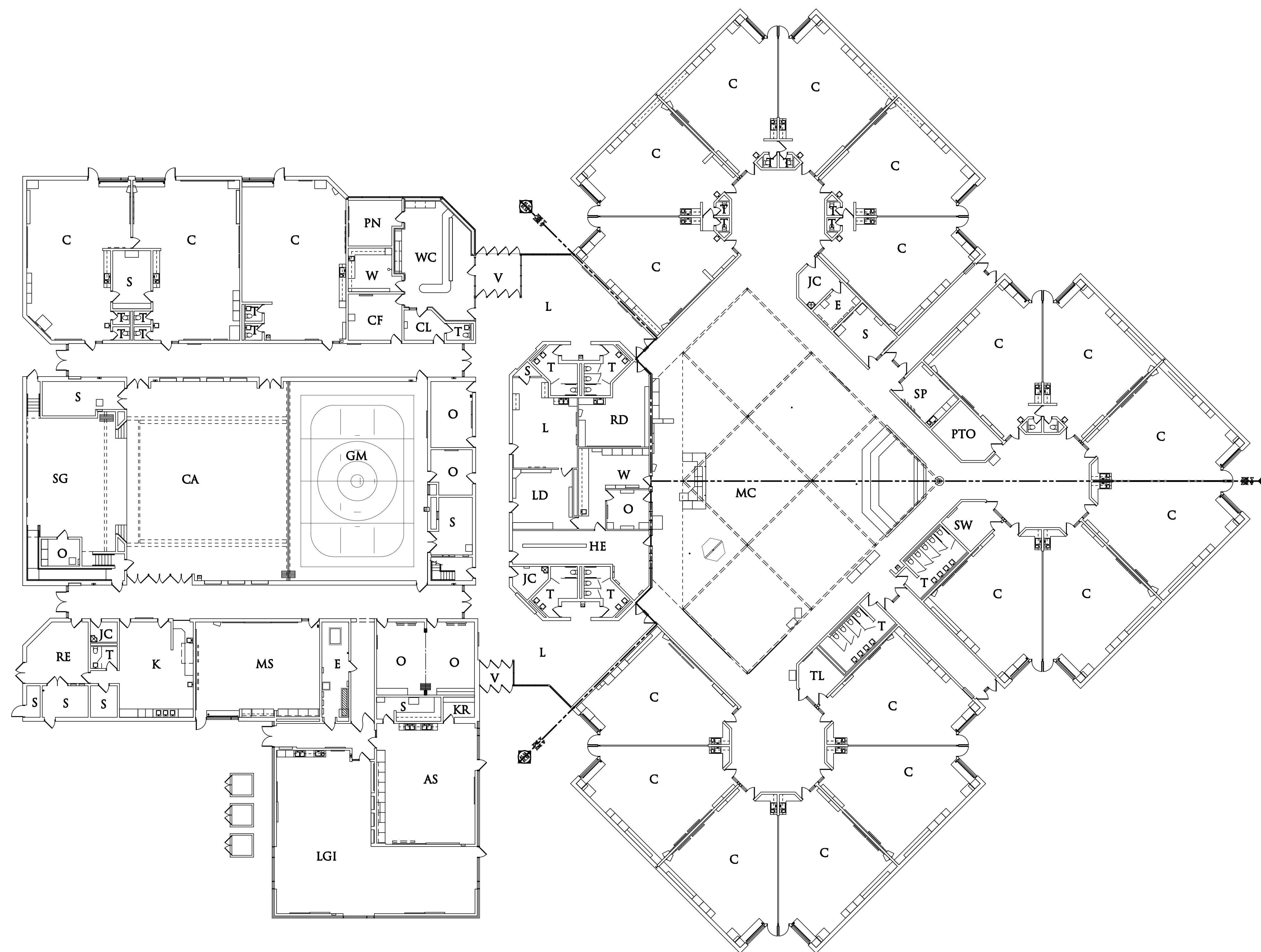
13158E

DRAWING NO.

AC.1

ROOM USE LEGEND			
AS	ART STUDIO	O	OFFICE
C	CLASSROOM	PN	PRINCIPAL
CA	CAFETERIA	PTO	PTO
CF	CONFERENCE ROOM	RD	READING
CL	CLINIC	RE	RECEIVING
E	ELECTRICAL	S	STORAGE
GM	GYMNASIUM	SG	STAGE
HE	HEAD END	SP	SPEECH
K	KITCHEN	SW	SOCIAL WORKER
KR	KILN ROOM	T	TOILET
JC	JANITOR'S CLOSET	TL	TITLE 1
L	LOBBY	V	VESTIBULE
LD	LEARNING DEPARTMENT	W	WORKROOM
LG	LOUNGE	WC	WELCOME CENTER
LGI	LARGE GROUP INSTRUCTION		
M	MECHANICAL		
MS	MUSIC		
MC	MEDIA CENTER		

BUILDING DATA	
1.	NO SUPERVISED AUTOMATIC SPRINKLER SYSTEM
2.	CONSTRUCTION CLASSIFICATION TYPE II-000 (NFPA) & II-B (MBC)
3.	USE CLASSIFICATION "E"



COMPOSITE FLOOR PLAN
 SCALE: 1/16" = 1'-0"