

COURSE SEQUENCING CHARTS

Attached are the course sequencing charts for Darien High School. More detailed information regarding the prerequisites for individual courses can be found in our course catalog. Please note that the transition that a student makes in a particular academic area can vary from year to year based on their performance in class and on possible assessments offered in that academic area. For example, a student can begin in a non accelerated or non honors track in a specific content area but then can move into the accelerated or honors track based on their grades and/or department assessment. These prerequisites are reviewed at the end of each semester to determine the recommendation for placement for the following year.

Business Education Courses

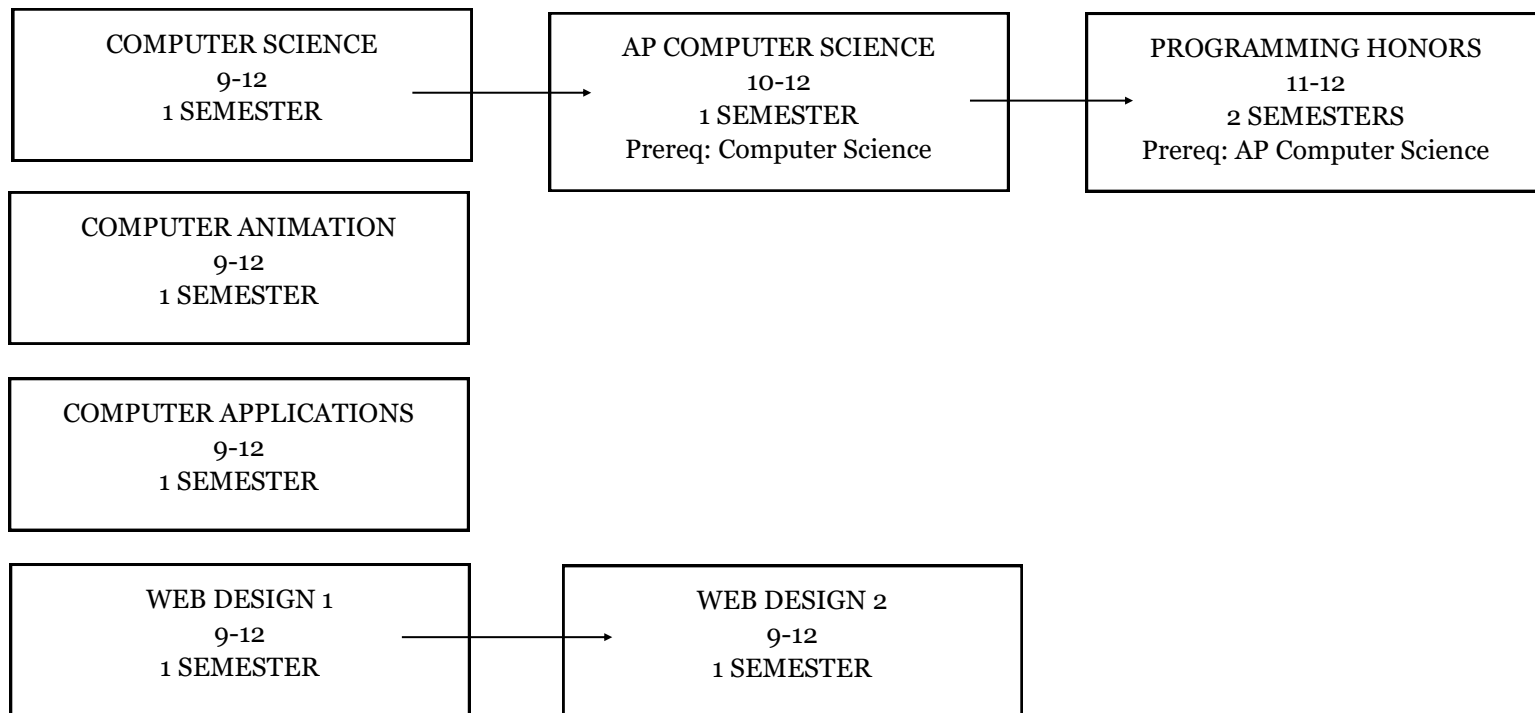
Business and Entrepreneurship (1 semester, 9-12)

Investing and Personal Finance (1 semester, 9-12)

Marketing Essentials (1 semester, 9-12)

Pre-Law (1 semester, 9-12)

Computer Studies Courses & Sequence



English Courses and Sequence

| Grade 8 | Level | Grade 9 | Grade 10 | Grade 11 | Grade 12 | Grade 12 2nd Semester |
|-------------------------------------|-------|-----------------------------------------------------------------------|--------------------------------------------|---------------------------------------------------------------------------------------------------------------------------------------|-----------------------------------------------------------------------------------------------------------------------------------------------------------------------------------------------------------------------------------------------------------------------------------------------------------------------------------------------------------------------------------------------------------------------------------------------------------------------------------------------------------------|--------------------------------------------------------|
| | 400 | | English 10 Honors | AP Language & Composition 11/ American Literature | AP English Literature & Composition AP Language & Composition 12/ Postmodern Voices | AP English Capstone |
| English 8 Advanced English 8 | 300 | English 9 Accelerated English 9 Comprehensive English 9 | English 10 Comprehensive English 10 | American Literature American Literature (Tutorial) American Literature/Studies Comprehensive American Literature | Behind the Dragon: East Asian Literature: 300 Beyond the New York School: Contemporary Poetry: 300 Dangerous Creatures: Women & Fiction: 300 From Knights to Knaves: British Literature: 300 Knowing Nothing: Literature & Philosophy: 300 Mystery & Mayhem: The Literature of Suspense: 300 Page & Stage: Literature in Performance: 300 The Lettered Athlete: Sports & Literature: 300 Comprehensive/ Mystery & Mayhem: The Literature of Suspense: 300 | English Capstone Comprehensive English Capstone |

ELECTIVES

Advanced Composition/Tutor Training: 750

Creative Writing 1: 900

Creative Writing Advanced: 750

Critical Approaches to Film: 900

Drama 1: 900

Drama 2: 900

Intro to Media Studies: 900

Media Studies: Digital Journalism: 750

Media Studies: Video Production: 750

Writers' Workshop: 900

Writing with Purpose: 900

World Language Course Sequence

Normal Sequence

| Grade 6 | Grade 7 | Grade 8 | Grade 9 | Grade 10 | Grade 11 | Grade 12 |
|---------------------------------|-------------------------|-------------------------|-------------------------------------------------------------------------------------------------|-------------------------------------------------------------------------------------------------------------|-------------------------------------------------------------------------------------------------------------------------------------|-----------------------------------------------------------------------------------------------------------------------------------------------|
| Intro. French Intro. Spanish | French 1A Spanish 1A | French 1B Spanish 1B | French 1 Fr. 2 Acc./Reg. Latin 1 Mandarin Chinese 1 Spanish 1 Sp. 2 Acc./Reg. | French 2 Fr. 3 Honors/ Reg. Latin 2 Mandarin Chinese 2 Spanish 2 Sp. 3 Honors/ Reg. | French 3 Fr. 4 Honors/Reg. Latin 3 Mandarin Chinese 3 Mandarin Chinese Honors 3 Spanish 3 Sp. 4 Honors/Reg. | French 4 French 5 AP French Latin 4 Mandarin Chinese 4 Mandarin Chinese Honors 4 Spanish 4 Spanish 5 AP Spanish |

Alternate Sequence

| Grade 8 | Grade 9 | Grade 10 | Grade 11 | Grade 12 |
|---------------------|---------------|---------------|---------------|----------------------|
| Spanish: Spanish 1A | Spanish 1B/2A | Spanish 2B/3A | Spanish 3B/4A | To Regular Spanish 5 |
| | Spanish 1 | | | |

History/Social Sciences

Course Sequence And Electives

| Grade 8 | Grade 9 | Grade 10 | Grade 11 | Grade 12 |
|------------------|------------------------------------------------------------------------|------------------------------------------------------------------|--------------------------------------------------------------------------------------------------------------------------------------------------------------------------------------------------------------------------------------------------|------------------------------------------------------------------------------------------------------------|
| Social Studies 8 | Western Civilization 1 & 2 (Comprehensive & 300) 2 semesters | World Studies (Comprehensive, 300, 400) 2 semesters | American History (Comprehensive) American History (300) <ul style="list-style-type: none"> ▪ American Studies ▪ American History ▪ American History Tutorial AP American History (400) 2 semesters | Law & Government (Comprehensive & 300) AP US Government & Politics (400) 1 semester |

ELECTIVES (300) - 1 semester each

| | |
|-----------------------------------|--------------|
| America Since 1945 | Grades 11-12 |
| AP Economics (2 semesters) | Grades 11-12 |
| AP European History (2 semesters) | Grades 11-12 |
| AP Human Geography (2 semesters) | Grades 11-12 |
| AP Macroeconomics | Grade 11-12 |
| China Exchange (2 semesters) | Grades 10-12 |
| Contemporary Issues | Grades 11-12 |
| Economics | Grades 11-12 |
| Humanities | Grades 10-12 |
| Psychology | Grades 11-12 |
| Philosophy | Grades 11-12 |

Physical Education/Health Courses and Sequence

| | | | |
|-------------------------------------------------------------------------------------------------------------------------------------------------------------------------------------------------------------------------------------------------------------------------------------------------------------------------------------------------------|----------------------------------------------------------------------------------------------------------------------------------------------------------------------------------------------------------------------------------------------------------------------------------------------------------------------------------------------------------------|--------------------------------------------------------------------------------------------------------------------------------------------------------------------------------------------------------------------------------------------------------------------------------------------------------------------------------------------------------------------------------------------------------------------------------|-------------------------------------------------------------------------------------------------------------------------------------------------------------------------------------------------------------------------------------------------------------------------------------------------------------------------------------------------------------------------------------------------------------------------------------------------------------------------------------------|
| <p><u>9th and 10th Grade Programs</u></p> <p><i>Required Units</i></p> <ol style="list-style-type: none"> 1. Weight Training (9 or 10) 2. One Health Unit (each year) | | <p><u>11th and 12th Grade Programs</u></p> <p><i>Required Units</i></p> <ol style="list-style-type: none"> 1. One Health Unit (each year) which includes CPR Training | |
| <p>Students must elect three units of Physical Education and one unit of Health each year</p> | | | |
| <p><u>Physical Education</u> Grades 9—10</p> <p>Elective Units:</p> <ul style="list-style-type: none"> • Tennis • Badminton • Floor Hockey • Basketball • Soccer • Volleyball • Fitness • Field Sports • Pickleball • Team Handball | <p><u>Physical Education</u> Grades 11—12</p> <p>Elective Units:</p> <ul style="list-style-type: none"> • Golf • Tennis • Badminton • Basketball • Volleyball • Fitness • Field Sports • Archery • Self-Defense • Pickleball • Yoga | <p><u>Health Education Units</u> Grades 9—10</p> <ul style="list-style-type: none"> • Nutrition • Fitness Concepts • Eating Disorders • Social Media Safety • Sexting • Sexual Harassment • Death & Dying (Stages of Grief) Wills and Living Will Organ donating • Relationships Stress/Suicide • Substance Abuse | <p><u>Health Education Units</u> Grades 11—12</p> <ul style="list-style-type: none"> • CPR for the Professional Rescuer (Infant / Child / Adult) • Relationships / Sexual Assault Know Before you Go program presented by The Center Life Lessons (Tuesdays With Morrie) • Substance Abuse/ Addiction effects on the family and friends • Hazing / Bullying • Vaping • Mental Illness • Sexuality |

Mathematics Courses and Sequence

| Grade 8 | Grade 9 | Grade 10 | Grade 11 | Grade 12 |
|------------------------------------|------------------------------------------------------------|----------------------------------------------------------------------------------------|----------------------------------------------------------------------------------------|------------------------------------------------------------------------------------------|
| Course 3 | Algebra 1 Applied Math I Comprehensive Algebra 1 | Applied Math 2 Geometry Comprehensive Geometry | Applied Math 3 Algebra 2 Algebra 2 Honors Comprehensive Algebra 2 | College Math Topics Pre-Calculus Pre-Calculus Honors Probability and Statistics |
| Algebra 1 Algebra 1 Accelerated | Geometry Geometry Accelerated Comprehensive Geometry | Algebra 2 Algebra 2 Honors Comprehensive Algebra 2 | College Math Topics Pre-Calculus Pre-Calculus Honors Probability & Statistics | AP Calculus AB AP Calculus BC AP Statistics |
| Geometry Accelerated | Algebra 2 Algebra 2 Honors Comprehensive Algebra 2 | College Math Topics Pre-Calculus Pre-Calculus Honors Probability & Statistics | AP Calculus AB AP Calculus BC AP Statistics Principles of Calculus | AP Statistics Multivariable Calculus |

Science Courses and Sequence

| Grade 8 | Level | Grade 9 | Grade 10 | Grade 11 | Grade 12 |
|-----------|-------|-----------------------------------------------------|----------------------------------------------------------------------------------------|-------------------------------------------------------------------------------------------------------------------------------------------------------------------------------------------------------------------------------------------------------------|-------------------------------------------------------------------------------------------------------------------------------------------------------------------------------------------------------------------------------------------------------------------|
| Science 8 | 400 | Biology (400) (Honors) | Chemistry (400) (Honors) | Physics (400) (Honors) AP Physics C: Mechanics ² AP Biology AP Chemistry AP Environmental Science | Physics (400) (Honors) AP Physics C: Mechanics ² AP Physics C: Electricity & Magnetism ³ AP Biology AP Chemistry AP Environmental Science Modern Physics |
| Science 8 | 300 | Biology (300) Comprehensive Biology (300) | Earth Science (300) Comprehensive Earth Science (300) Chemistry (300) | Physics (300) Chemistry (300) Applications of Physics & Chemistry 1 and/or 2*# (900) Botany* (300) Marine Science* (300) The Science of Forensic Investigation * (300) NeuroScience/Biopsychology* (300) | Physics (300 or 400) Botany* (300) Applications of Physics & Chemistry 1 and/or 2*# (900) Marine Science* (300) Modern Physics The Science of Forensic Investigation * (300) NeuroScience/Biopsychology* (300) |
| | 900 | | Authentic Science Research | Authentic Science Research | Authentic Science Research |

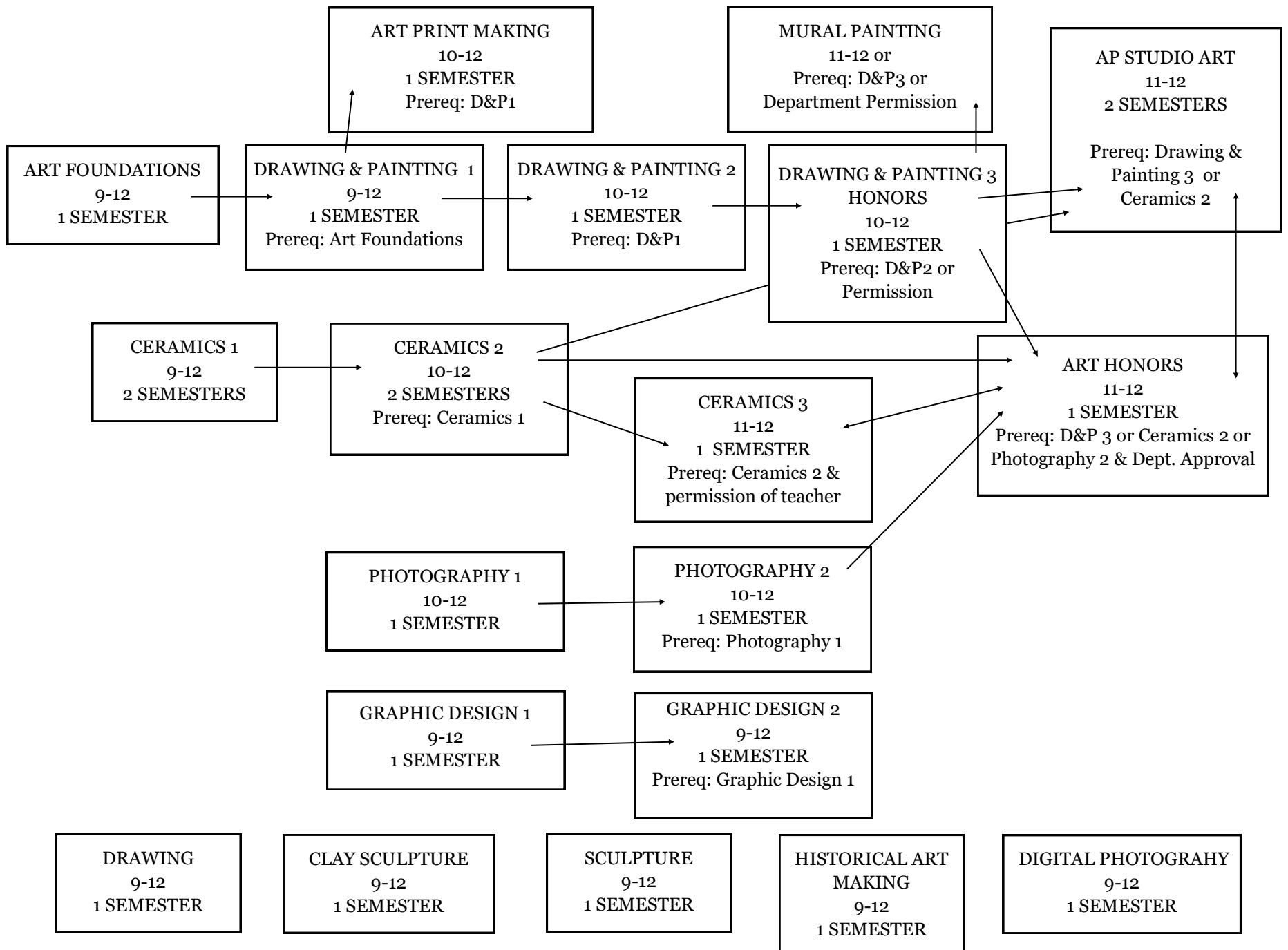
* 1/2 credit each

² After AP Calculus AB or BC or concurrent

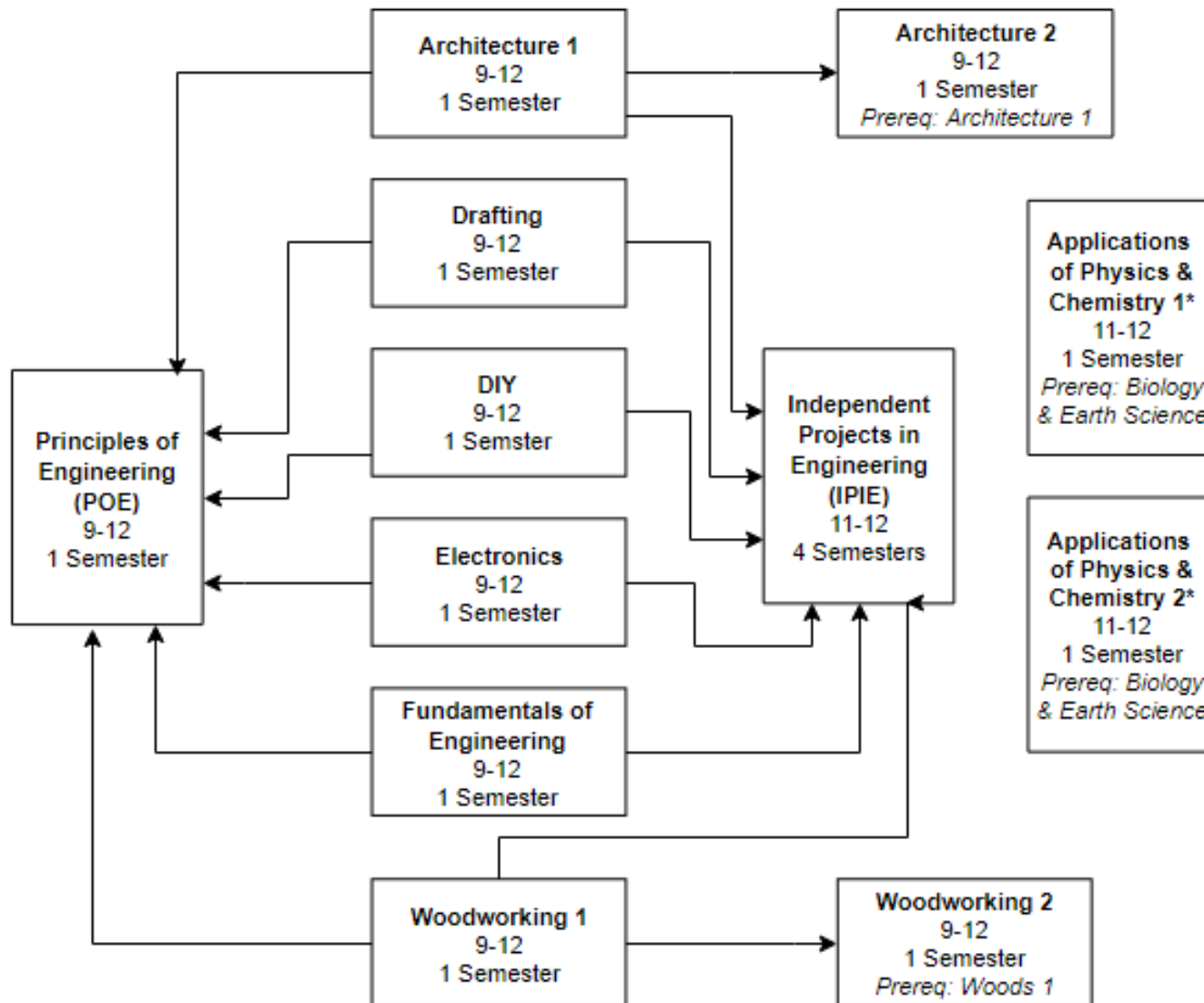
³ After AP Physics Mechanics or concurrent

Credit may be received from either the Science department or the Technology & Engineering Education department.

Art Department Courses and Sequences



Technology and Engineering Education Courses and Sequences



* Credit may be received from either the Science Department or the Technology & Engineering Department.