



**ROCKFORD BOARD OF EDUCATION  
INVITATION FOR BID ON SUPPLIES, MATERIALS, EQUIPMENT OR SERVICES  
FOR SCHOOL DISTRICT NO. 205  
ROCKFORD, ILLINOIS**

IFB No. 21-24 Haskell School Parking Lot Replacement

DATE: April 15, 2021

RE: **ADDENDUM NO. 4**

---

To All Bidders:

Included are modifications, clarifications and/or corrections for the Project Manual and are hereby made a part of the contract documents. Please attach this addendum to the Project Manual(s) in your possession. Please note the receipt of this addendum on the bid form. Bidders shall review changes to all portions of this work as changes to one portion may affect the work of another.

**If you plan to hand deliver your IFB submission on the due date, please note you must check in on the 2nd floor prior to coming to the bid opening. Please allow time for this as late submission will not be accepted.**

Refer all questions relative to the business aspect, Instructions to Bidders, Special Conditions, and questions concerning the technical aspect of the documents to the Director of Purchasing by email at [purchasingdeptstaff@rps205.com](mailto:purchasingdeptstaff@rps205.com).

ROCKFORD BOARD OF EDUCATION

By: Dane Youngblood  
Director of Purchasing

**ADDENDUM NO. 4**

TO THE BID SET AND SPECIFICATIONS FOR  
Rockford Public Schools IFB No. 21-24 Parking Lot Replacement at Haskell Elementary School

Pre-Bid Date: April 5, 2021

**ADDENDUM NO. 4**

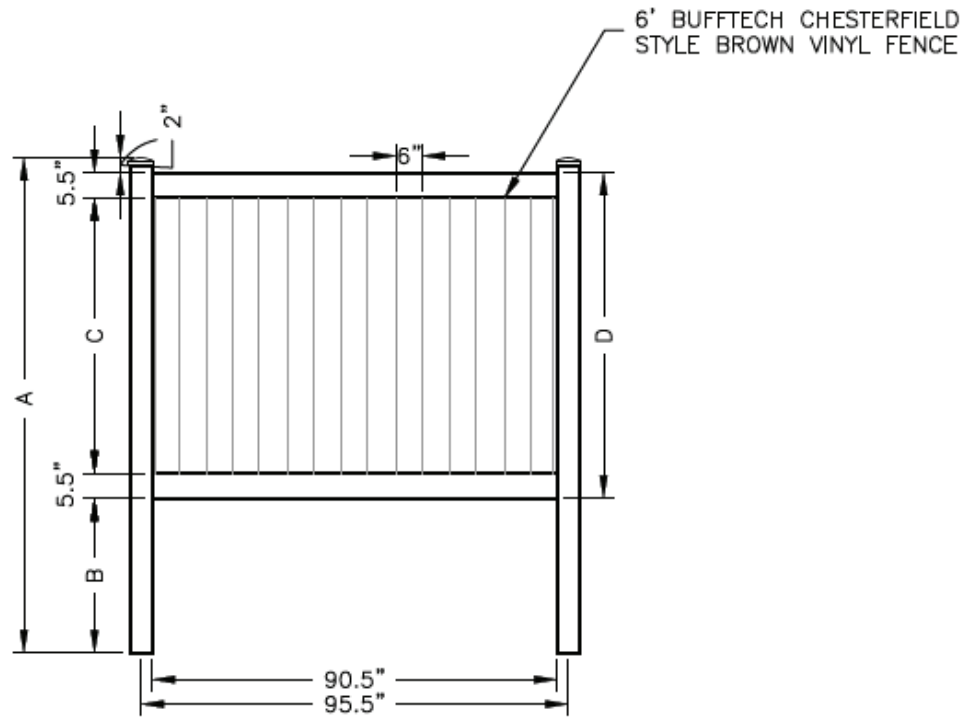
**Privacy Fence**

Attached detail to be used for the privacy fence as referenced on Sheet 6.

Fence to be installed per manufacturers specifications

**END OF ADDENDUM NO. 4**

Page 1 of 1  
Issued: April 15, 2021  
Fehr Graham



	A		B		C		D	
H(FT)	INCHES	H(FT)	INCHES	H(FT)	INCHES	H(FT)	INCHES	
3	60	3	22	3	25	3	36	
4	84	4	34	4	37	4	48	
5	96	5	34	5	49	5	60	
6	108	6	34	6	61	6	72	

**VINYL SCREEN FENCE**  
N.T.S.

VINYL FENCE SHALL BE 6' HT. SOLID OPAQUE SCREEN FENCE WITH WOODGRAIN TEXTURE SUCH AS BUFFTECH "CHESTERFIELD" FENCE AS MANUFACTURED BY CerainTEED CORPORATION OR APPROVED EQUAL. COLOR TO BE SELECTED BY OWNER FROM MANUFACTURERS FULL RANGE OF STANDARD COLORS.