

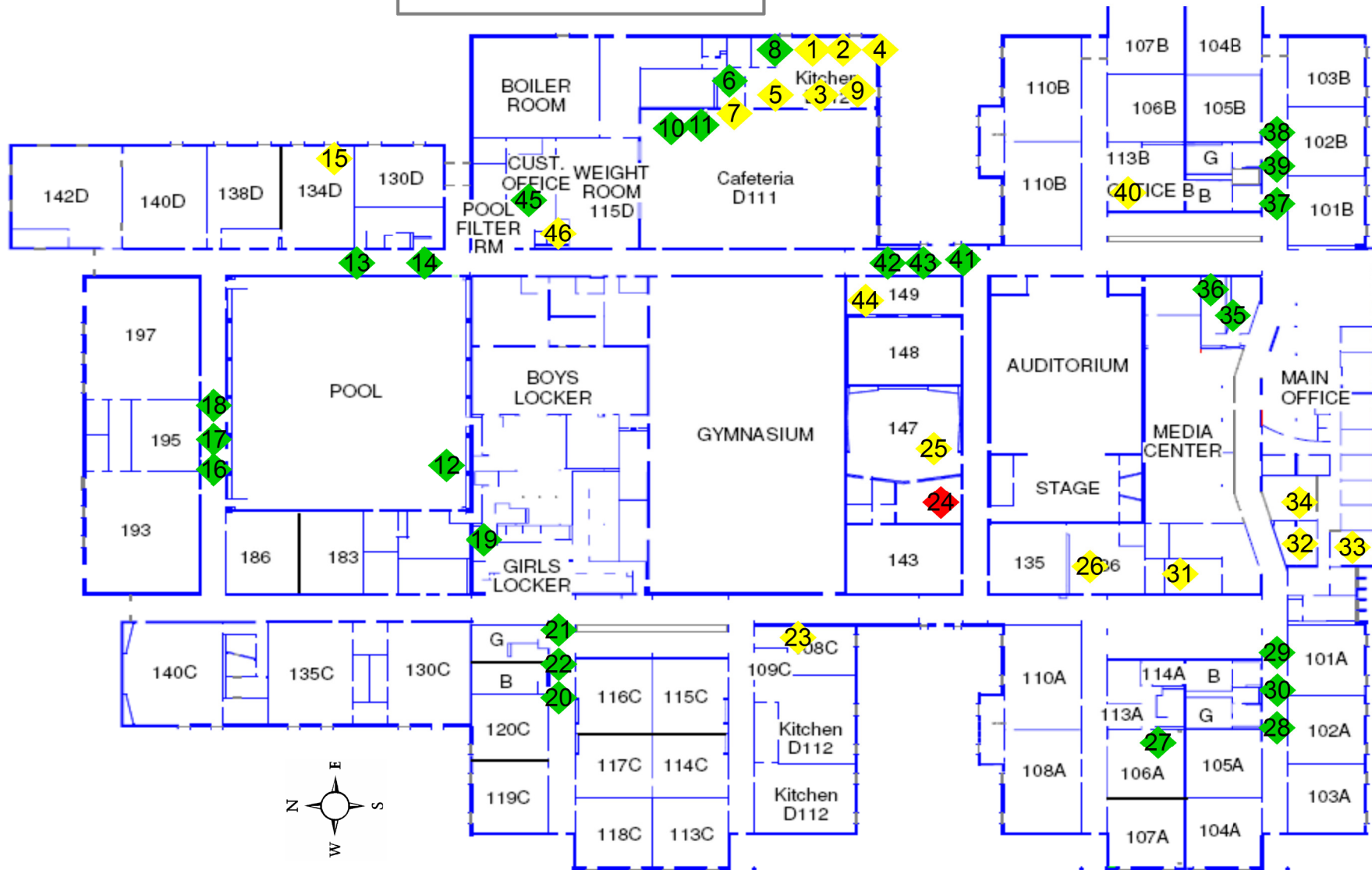
School Name: **Oak-Land Middle School (OMS)**Date: **11/2/2018**

Floor	Room Number	Location	Sample ID	Type DF = Drinking Fountain S = Sink WC = Water Cooler BF = Bottle Filler K=Kettle	Lead Result (ppb)
First	-	Kitchen - Southwest	1	S	3.2
First	-	Kitchen - West Middle	2	S	3.1
First	-	Kitchen- Northeast	3	S	4.1
First	-	Kitchen - Northwest	4	S	3.9
First	-	Kitchen	5	K	8.1
First	-	Dish Room	6	Sp	ND
First	-	Dish Room	7	S	3.3
First	-	Kitchen- Southwest	8	Sp	1.6
First	-	Kitchen - Northwest	9	Sp	19.3
First	-	Cafeteria	10	WC	ND
First	-	Cafeteria	11	WC	ND
First	-	Pool	12	DF	1.9
First	-	Hallway	13	WC	ND
First	-	Hallway	14	WC	ND
First	134D	Classroom	15	S	3.1
First	-	Hallway	16	WC	ND
First	-	Hallway	17	WC	ND
First	-	Hallway	18	BF	ND
First	-	Girls Locker Room	19	WC	1.7
First	-	Hallway	20	WC	ND
First	-	Hallway	21	WC	ND
First	-	Hallway	22	BF	ND
First	108	Classroom	23	S	5
First	147	Instrument Storage	24	S	47.1
First	147	Band	25	WC	7.4
First	136	Classroom	26	S	7.1
First	106A	Classroom	27	S	1.4
First	-	Hallway	28	WC	ND
First	-	Hallway	29	WC	ND
First	-	Hallway	30	BF	ND
First	134	Classroom	31	S	9.1
First	-	Nurse	32	S	3.8
First	-	Nurse Bathroom	33	S	8
First	-	Office	34	S	2
First	-	Staff Restroom	35	WC	ND
First	-	Staff Restroom	36	WC	ND
First	-	Hallway	37	WC	ND
First	-	Hallway	38	WC	ND
First	-	Hallway	39	BF	ND
First	114B	Classroom	40	S	6.8
First	-	Hallway	41	WC	ND
First	-	Hallway	42	WC	ND
First	-	Hallway	43	BF	ND
First	-	Staff	44	S	5.5
First	-	Custodial	45	WC	1.6
First	-	Custodial Restroom	46	S	7.1

Oak-Land Middle School Lead in Drinking Water Project #19054

First Draw Sampling (Nov 2018)

- ◆ Lead < 2 ppb
- ◆ 2 ppb <=Lead<=20 ppb
- ◆ Lead > 20 ppb



Science lab stations and art room sink faucets were not tested; District posted signage on such fixtures stating "water not for drinking"