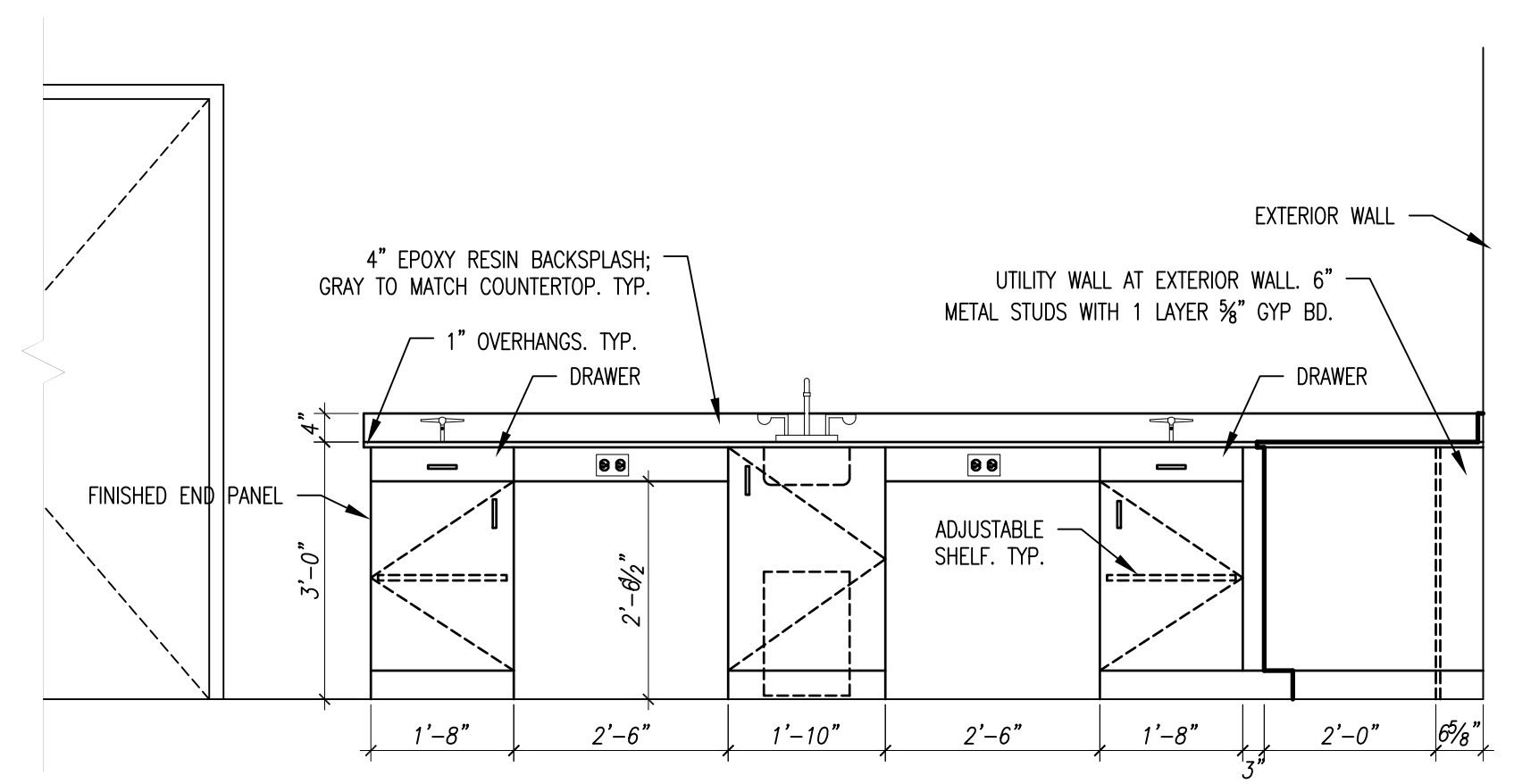
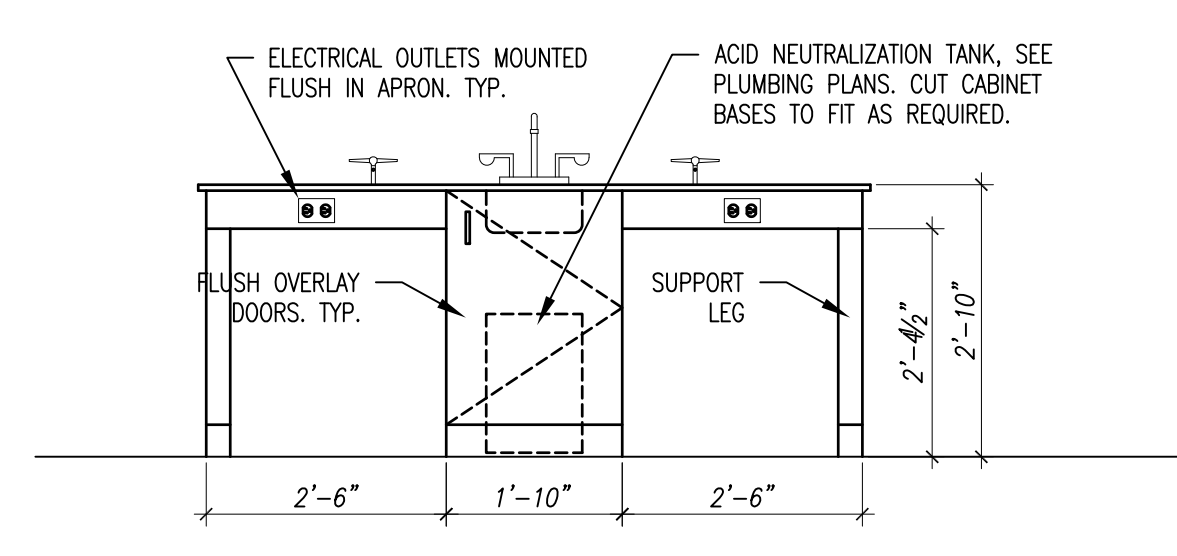


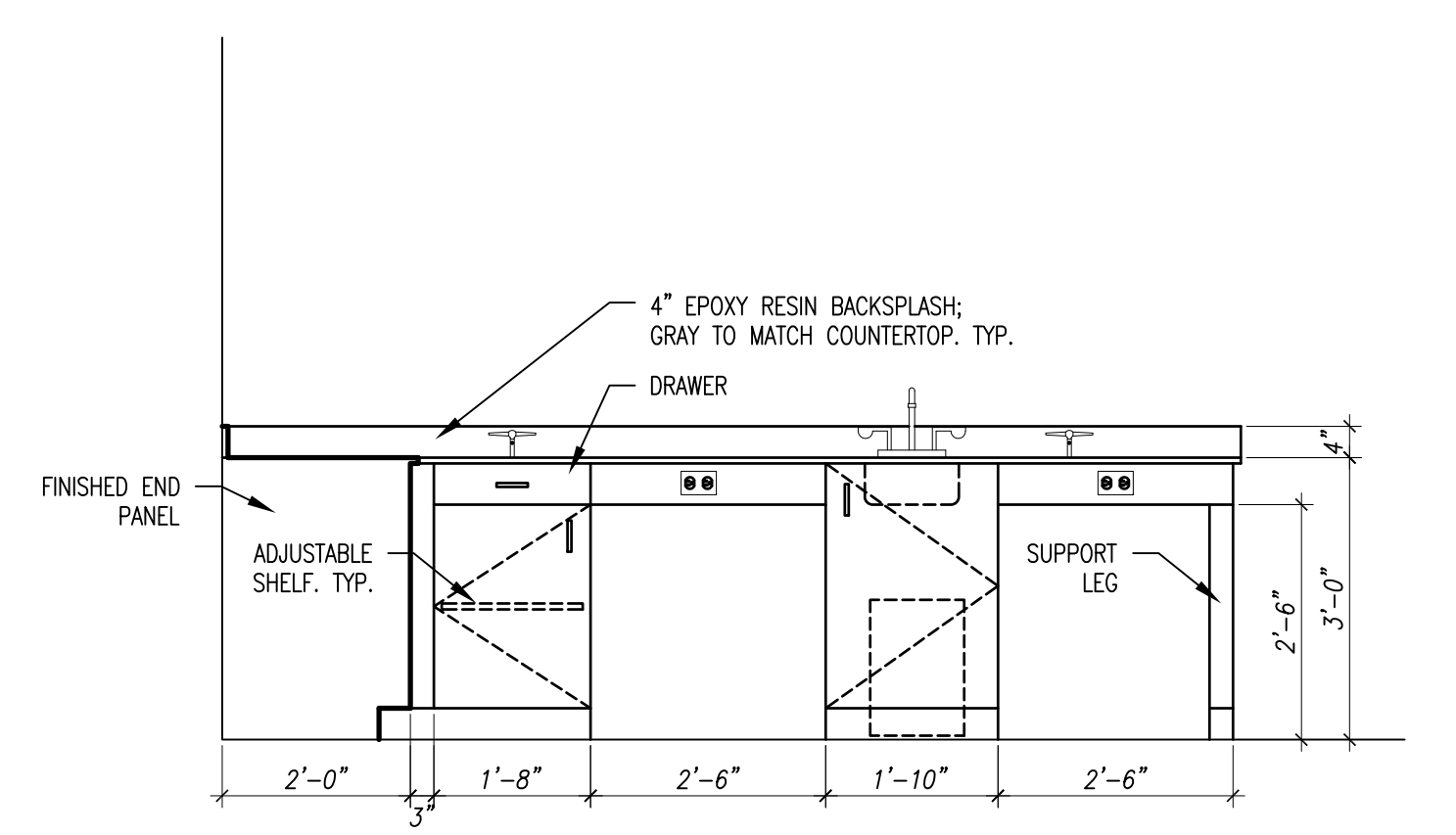
02 SCIENCE ROOM CASEWORK PLAN
SCALE: 1/2" = 1'-0"



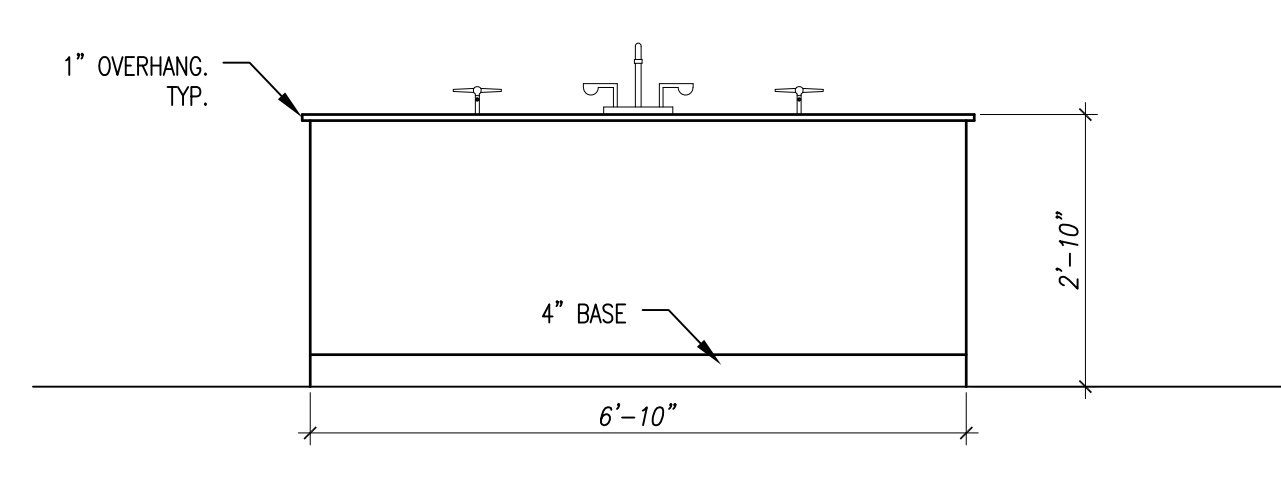
03 CASEWORK ELEVATION
SCALE: 1/2" = 1'-0"



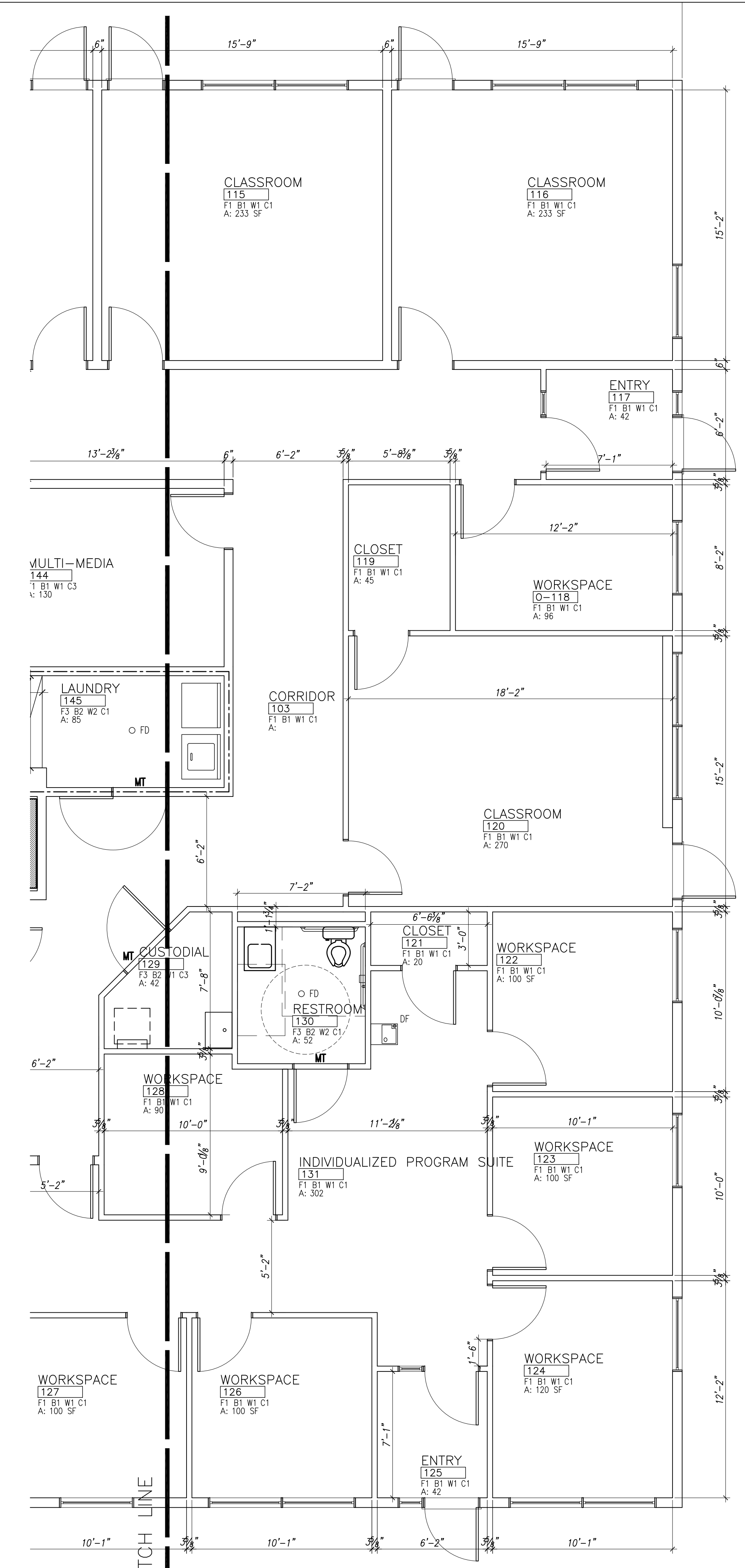
04 CASEWORK ELEVATION
SCALE: 1/2" = 1'-0"



05 CASEWORK ELEVATION
SCALE: 1/2" = 1'-0"



06 CASEWORK ELEVATION
SCALE: 1/2" = 1'-0"



01 LARGE SCALE PLAN
SCALE: 1/4" = 1'-0"

----- = 1 HOUR RATED WALLS

DAVID LAURIN ARCHITECT PLLC
P.O. BOX 1382
WHITE RIVER JCT., VT 05001
t (802) 295-9263 c (603) 443-3867
david@laurinarch.com

CONSULTANTS:
CIVIL ENGINEER:
DEWOLFE ENGINEERING ASSOCIATES
317 RIVER STREET
MONTPELIER, VT 05601-1576
T: (802) 223-4727

STRUCTURAL ENGINEER:
DEWOLFE ENGINEERING ASSOCIATES
317 RIVER STREET
MONTPELIER, VT 05601-1576
T: (802) 223-4727

MECHANICAL ENGINEER:
KURT MAGNUSSON, P.E.
MECHANICAL SYSTEMS ENGINEERS
10 FOREST FALLS DRIVE - SUITE #10
YARMOUTH, MAINE 04096
T: (207) 846-1441 C: (207) 615-9375

ELECTRICAL ENGINEER:
TIM MATTHEWS, P.E.
SWIFTCURRENT ENGINEERING SERVICES
10 FOREST FALLS DRIVE, UNIT 8B
YARMOUTH, MAINE 04096
T: (207) 847-9280 C: (207) 847-9281



KEY PLAN:
NORTH

REVISION	DATE	COMMENTS
ADDENDUM 1	8.6.20	
ADDENDUM 2	8.14.20	
ADDENDUM 3	8.19.20	

PROJECT:
BARRE UNIFIED UNION
SCHOOL DISTRICT
SPAULDING EDUCATIONAL
ALTERNATIVES FACILITIES
91 ALLEN STREET
BARRE, VT 05641

ISSUED:
FOR CONSTRUCTION

DRAWING TITLE:
LARGE SCALE PLAN

DATE: 24 JULY 2020

SHEET NUMBER:

A1.3

Copyright © All Rights Reserved