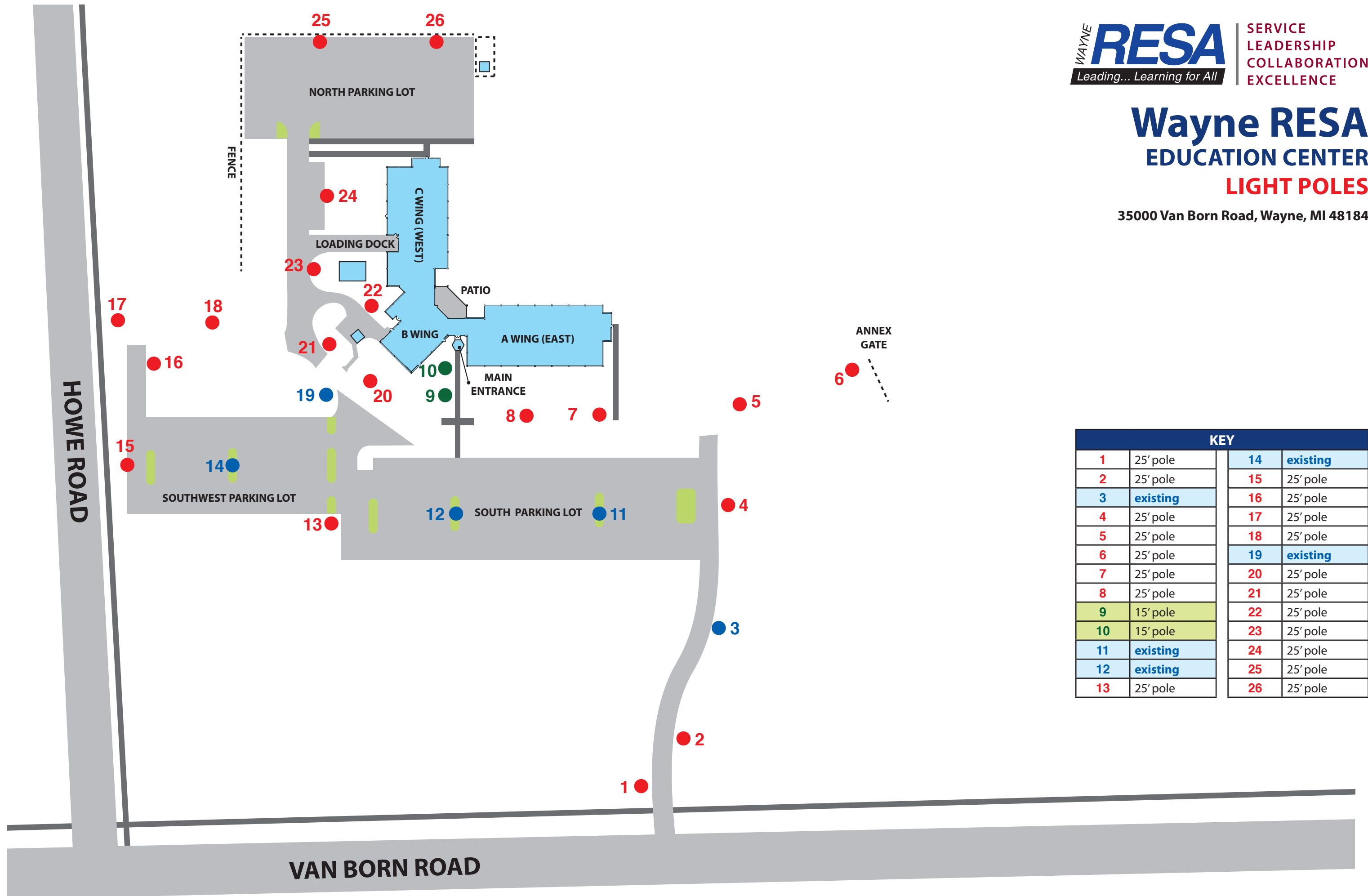


Wayne RESA EDUCATION CENTER LIGHT POLES

35000 Van Born Road, Wayne, MI 48184



KEY			
1	25' pole	14	existing
2	25' pole	15	25' pole
3	existing	16	25' pole
4	25' pole	17	25' pole
5	25' pole	18	25' pole
6	25' pole	19	existing
7	25' pole	20	25' pole
8	25' pole	21	25' pole
9	15' pole	22	25' pole
10	15' pole	23	25' pole
11	existing	24	25' pole
12	existing	25	25' pole
13	25' pole	26	25' pole



Specification grade area lights available in IES Type III distributions. For use for roadway, general parking and other area lighting applications where a larger pool of lighting is required. Best-in-class 5-G vibration rating. 5-year, limited warranty.

Color: Bronze

Weight: 20.9 lbs

Project:

Type:

Prepared By:

Date:

Driver Info

Type	Constant Current
120V	0.93A
208V	0.56A
240V	0.49A
277V	0.42A
Input Watts	110.30W

LED Info

Watts	110W
Color Temp	5000K (Cool)
Color Accuracy	72 CRI
L70 Lifespan	100,000
Lumens	12,807
Efficacy	116.1 lm/W

Technical Specifications

Listings

UL Listed:

Suitable for wet locations

IESNA LM-79 & IESNA LM-80 Testing:

RAB LED luminaires and LED components have been tested by an independent laboratory in accordance with IESNA LM-79 and LM-80.

Dark Sky Conformance:

Conforms to (allows for conformance to) the IDA's fully shielding requirement, emitting no light above 90 degrees (with the exclusion of incidental light reflecting from fixture housing, mounts, and pole).

DLC Listed:

This product is on the Design Lights Consortium (DLC) Qualified Products List and is eligible for rebates from DLC Member Utilities. DLC Product Code: PGDVHC5M

LED Characteristics

Lifespan:

100,000-hour LED lifespan based on IES LM-80 results and TM-21 calculations

LEDs:

Long-life, high-efficacy, surface-mount LEDs

Color Uniformity:

RAB's range of Correlated Color Temperature follows the guidelines of the American National Standard for Specifications for the Chromaticity of Solid State Lighting (SSL) Products, ANSI C78.377-2017.

Construction

IES Classification:

The Type III distribution is meant to be located near the side of an area, projecting the light outward to fill the area. Ideal for roadways, general parking areas, lighting applications and where a large pool of light is required.

Effective Projected Area:

EPA = 0.8

Vibration Rating:

Industry-leading 5G vibration rating per ANSI C136.31

Cold Weather Starting:

Minimum starting temperature is -40°C (-40°F)

Ambient Temperature:

Suitable For use in 40°C (104°F)

Housing:

Precision die-cast aluminum housing

Mounting:

Mounts to RAB square poles. Mounts to all square and round poles if optional Universal Pole Adaptor is used.

Technical Specifications (continued)

Construction

Lens:

Clear acrylic lens with integrated optics

IP Rating:

Ingress Protection rating of IP66 for dust and water

Gaskets:

High-temperature silicone gaskets

Finish:

Formulated for high durability and long-lasting color

Green Technology:

Mercury and UV free. RoHS-compliant components.

Electrical

Driver:

Constant Current, Class 2, 100-277V, 50/60 Hz, 120V: 0.93A, 208V: 0.56A, 240V: 0.49A, 277V: 0.42A

THD:

6.7% at 120, 9.1% at 277V

Power Factor:

99.3% at 120V, 95.4% at 277V

Surge Protection:

L-N 4kV; L-Earth 6kV

Other

5 Yr Limited Warranty:

Fixture operation and paint finish are covered for a period of 5-years. [See our full warranty here.](#)

Equivalency:

Equivalent to 400W Pulse Start Metal Halide

Buy American Act Compliance:

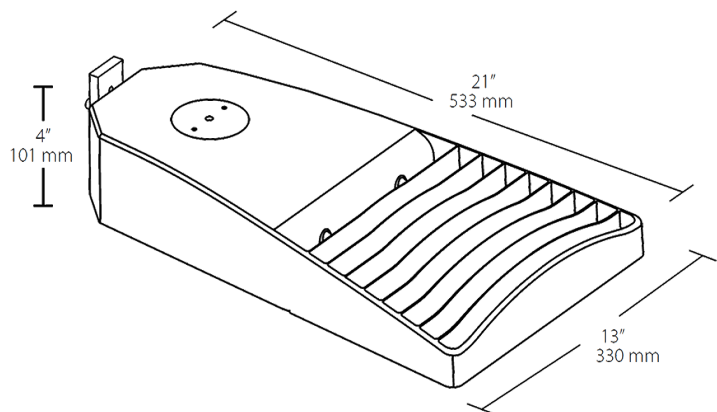
RAB values USA manufacturing! Upon request, RAB may be able to manufacture this product to be compliant with the Buy American Act (BAA). Please contact customer service to request a quote for the product to be made BAA compliant.

Optical

Full Cutoff:

Full-cutoff optics conform with dark sky requirements

Dimensions



Features

- Lightweight design and low EPA minimize pole load
- Best-in-class 5-G vibration rating
- 100,000-hour LED lifespan

Ordering Matrix

Family	IES Type	Wattage	Color Temp	Finish	Driver Options	Mounting	Sensor Options	Accessories	Other Options
LOT	3T	110			/D10				
	5T = Type V 4T = Type IV 3T = Type III 2T = Type II	65 = 65W 110 = 110W 160 = 160W	Blank = 5000K (Cool) N = 4000K (Neutral) Y = 3000K (Warm)	Blank = Bronze W = White	/D10 = 120-277V, 0-10V Dimming (standard) /480/D10 = 480V, 0-10V Dimming	Blank = Mounts to RAB square poles /UPA = Universal Pole Adaptor	Blank = None /PCT = 120-277V Twistlock PC /PCT4 = 480V Twistlock PC /WS2 = Wattstopper Sensor + 20ft lens, 120-277V /WS4 = Wattstopper Sensor + 40ft lens, 120-277V /5PR = 5-Pin Receptacle, no PCT /7PR = 7-Pin Receptacle, no PCT /BL = Bi-Level Dimming, 120-277V	/HS = 2 House-Side-Shields ¹ Blank = None	Blank = Standard USA = BAA Compliant

¹ Available for Types II, III and IV only



Specification grade area lights available in IES Type III distributions. For use for roadway, general parking and other area lighting applications where a larger pool of lighting is required. Best-in-class 5-G vibration rating. 5-year, limited warranty.

Color: Bronze

Weight: 20.9 lbs

Project:

Type:

Prepared By:

Date:

Driver Info

Type	Constant Current
120V	1.35A
208V	0.83A
240V	0.72A
277V	0.61A
Input Watts	160.60W

LED Info

Watts	160W
Color Temp	5000K (Cool)
Color Accuracy	72 CRI
L70 Lifespan	100,000
Lumens	18,170
Efficacy	113.1 lm/W

Technical Specifications

Listings

UL Listed:

Suitable for wet locations

IESNA LM-79 & IESNA LM-80 Testing:

RAB LED luminaires and LED components have been tested by an independent laboratory in accordance with IESNA LM-79 and LM-80.

Dark Sky Conformance:

Conforms to (allows for conformance to) the IDA's fully shielding requirement, emitting no light above 90 degrees (with the exclusion of incidental light reflecting from fixture housing, mounts, and pole).

DLC Listed:

This product is on the Design Lights Consortium (DLC) Qualified Products List and is eligible for rebates from DLC Member Utilities. DLC Product Code: PNUY5HSP

Electrical

Driver:

Constant Current, Class 2, 100-277V, 50/60 Hz, 120V: 1.35A, 208V: 0.83A, 240V: 0.72A, 277V: 0.61A

THD:

7.8% at 120, 14.3% at 277V

Power Factor:

99.5% at 120V, 93.5% at 277V

Surge Protection:

L-N 4kV; L-L, L-GND 6kV

LED Characteristics

Lifespan:

100,000-hour LED lifespan based on IES LM-80 results and TM-21 calculations

LEDs:

Long-life, high-efficacy, surface-mount LEDs

Color Uniformity:

RAB's range of Correlated Color Temperature follows the guidelines of the American National Standard for Specifications for the Chromaticity of Solid State Lighting (SSL) Products, ANSI C78.377-2017.

Construction

IES Classification:

The Type III distribution is meant to be located near the side of an area, projecting the light outward to fill the area. Ideal for roadways, general parking areas, lighting applications and where a large pool of light is required.

Effective Projected Area:

EPA = 0.8

Vibration Rating:

Industry-leading 5G vibration rating per ANSI C136.31

Technical Specifications (continued)

Construction

Cold Weather Starting:

Minimum starting temperature is -40°C (-40°F)

Ambient Temperature:

Suitable For use in 40°C (104°F)

Housing:

Precision die-cast aluminum housing

Mounting:

Mounts to RAB square poles. Mounts to all square and round poles if optional Universal Pole Adaptor is used.

Lens:

Clear acrylic lens with integrated optics

IP Rating:

Ingress Protection rating of IP66 for dust and water

Gaskets:

High-temperature silicone gaskets

Finish:

Formulated for high durability and long-lasting color

Green Technology:

Mercury and UV free. RoHS-compliant components.

Other

5 Yr Limited Warranty:

Fixture operation and paint finish are covered for a period of 5-years. [See our full warranty here.](#)

Equivalency:

Equivalent to 575W Pulse Start Metal Halide

Buy American Act Compliance:

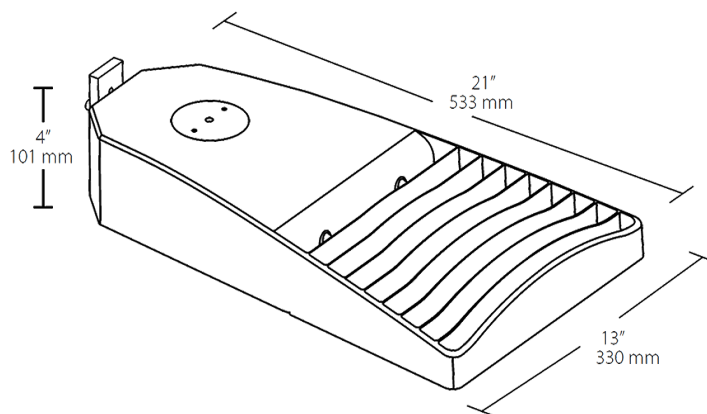
RAB values USA manufacturing! Upon request, RAB may be able to manufacture this product to be compliant with the Buy American Act (BAA). Please contact customer service to request a quote for the product to be made BAA compliant.

Optical

Full Cutoff:

Full-cutoff optics conform with dark sky requirements

Dimensions



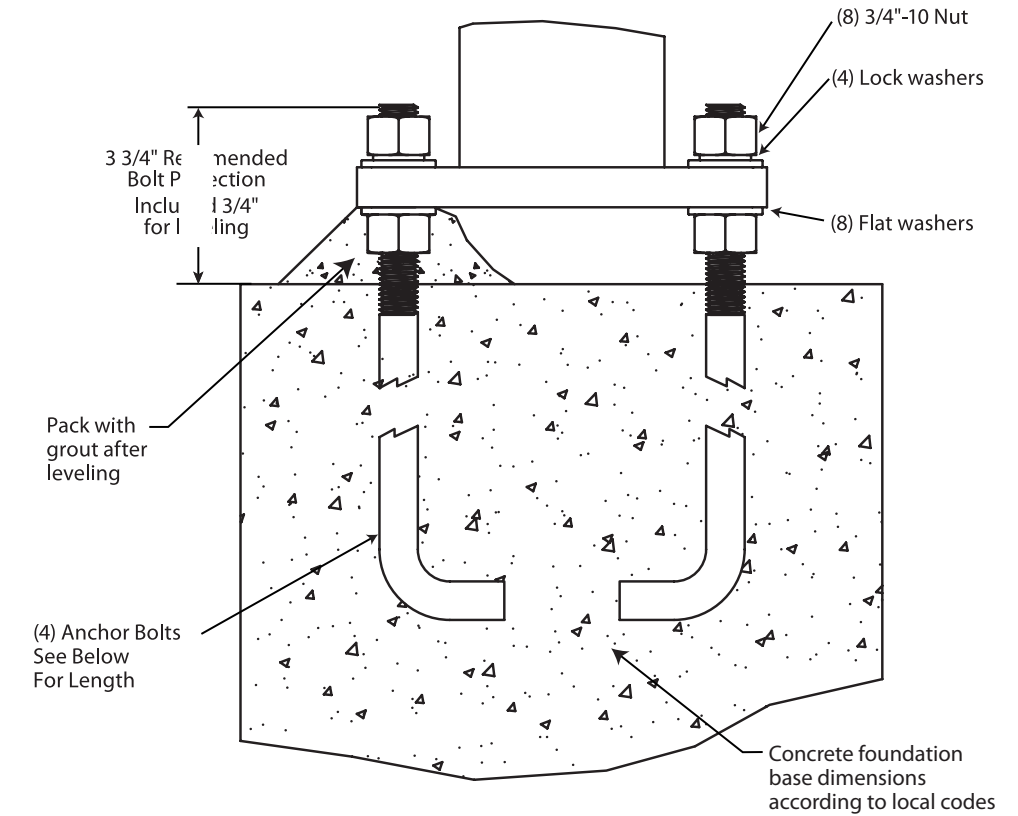
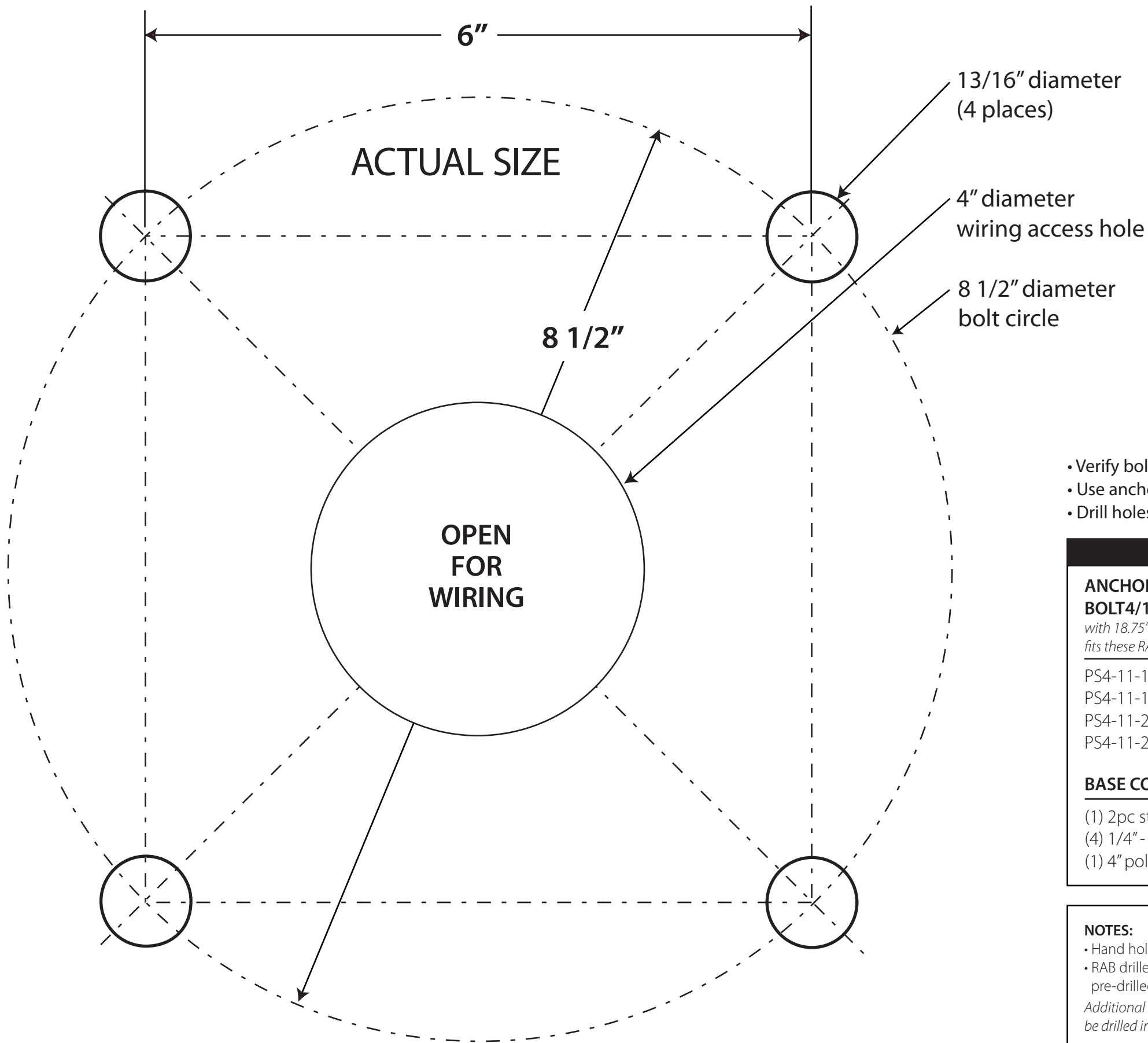
Features

- Lightweight design and low EPA minimize pole load
- Best-in-class 5-G vibration rating
- 100,000-hour LED lifespan

Ordering Matrix

Family	IES Type	Wattage	Color Temp	Finish	Driver Options	Mounting	Sensor Options	Accessories	Other Options
LOT	3T	160			/D10				
	5T = Type V 4T = Type IV 3T = Type III 2T = Type II	65 = 65W 110 = 110W 160 = 160W	Blank = 5000K (Cool) N = 4000K (Neutral) Y = 3000K (Warm)	Blank = Bronze W = White	/D10 = 120-277V, 0-10V Dimming (standard) /480/D10 = 480V, 0-10V Dimming	Blank = Mounts to RAB square poles /UPA = Universal Pole Adaptor	Blank = None /PCT = 120-277V Twistlock PC /PCT4 = 480V Twistlock PC /WS2 = Wattstopper Sensor + 20ft lens, 120-277V /WS4 = Wattstopper Sensor + 40ft lens, 120-277V /5PR = 5-Pin Receptacle, no PCT /7PR = 7-Pin Receptacle, no PCT /BL = Bi-Level Dimming, 120-277V	Blank = None /HS = 2 House-Side-Shields ¹	Blank = Standard USA = BAA Compliant

¹ Available for Types II, III and IV only



- Verify bolt circle diameter and anchor bolt projection.
- Use anchor bolt template to assure accuracy.
- Drill holes in plywood and use as a locator for anchor bolts.

DRILLED TOP	
ANCHOR BOLT KIT: BOLT4/11 with 18.75" anchor bolts fits these RAB poles PS4-11-10D2 PS4-11-15D2 PS4-11-20D2 PS4-11-25D2	ANCHOR BOLT KIT: BOLT4/7 with 30" anchor bolts fits these RAB poles PS4-07-20D2 PS4-07-25D2 PS4-07-30D2
BASE COVER KIT: BCK-S4 (for electrician) (1) 2pc steel base cover, bronze (4) 1/4" - 20 black base cover screws (1) 4" pole cap CAT# PCAP4 (for use with drilled poles)	

TENON TOP	
ANCHOR BOLT KIT: BOLT4/11 with 18.75" anchor bolts fits these RAB poles PS4-11-10WT PS4-11-15WT PS4-11-20WT PS4-11-25WT	ANCHOR BOLT KIT: BOLT4/7 with 30" anchor bolts fits these RAB poles PS4-07-20WT PS4-07-25WT PS4-07-30WT
BASE COVER: BC4 (no cap)	

NOTES:

- Hand hole covers are attached to pole
- RAB drilled (non-tenon) poles come pre-drilled for 2 area lights at 180°

Additional fixture mounting holes may be drilled in the field.



Square steel poles drilled for 2 Area Lights at 180°. Designed for ground mounting. Poles are stocked nationwide for quick shipment. Protective packaging ensures poles arrive at the job site good as new.

Color: Bronze

Weight: 105.8 lbs

Project:	Type:
Prepared By:	Date:

Technical Specifications

Listings

CSA Listed:

Suitable for wet locations

Construction

Shaft:

46,000 p.s.i. minimum yield.

Hand Holes:

Reinforced with grounding lug and removable cover

Base Plates:

Slotted base plates 36,000 p.s.i.

Shipping Protection:

All poles are shipped in individual corrugated cartons to prevent finish damage

Color:

Bronze powder coating

Height:

15 FT

Weight:

106 lbs

Gauge:

11

Wall Thickness:

1/8"

Shaft Size:

4"

Hand Hole Dimensions:

3" x 5"

Bolt Circle:

8 1/2"

Base Dimension:

8"

Technical Specifications (continued)

Construction

Anchor Bolt:

Galvanized anchor bolts and galvanized hardware and anchor bolt template. All bolts have a 3" hook.

Anchor Bolt Templates:

WARNING Template must be printed on 11" x 17" sheet for actual size. CHECK SCALE BEFORE USING. Templates shipped with anchor bolts and available [online](#).

Pre-Shipped Anchor Bolts:

Bolts can be pre-shipped upon request for additional freight charge

Max EPA's/Max Weights:

- 70MPH 17.4 ft./450 lb.
- 80MPH 12.5 ft./440 lb.
- 90MPH 9.0 ft./440 lb.
- 100MPH 6.6 ft./440 lb.
- 110MPH 4.8 ft./435 lb.
- 120MPH 3.4 ft./435 lb.
- 130MPH 2.3 ft./435 lb.
- 140MPH 1.4 ft./430 lb.
- 150MPH 0.8 ft./420 lb

Other

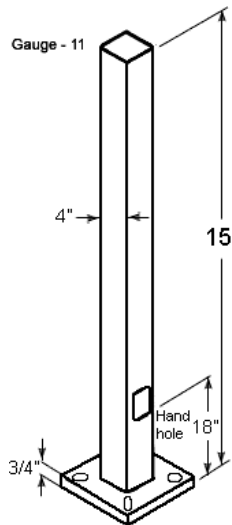
Terms of Sale:

Pole Terms of Sale is available [online](#).

Buy American Act Compliance:

RAB values USA manufacturing! Upon request, RAB may be able to manufacture this product to be compliant with the Buy American Act (BAA). Please contact customer service to request a quote for the product to be made BAA compliant.

Dimensions



Features

- Designed for ground mounting
- Heavy duty TGIC polyester coating
- Reinforced hand holes with grounding lug and removable cover for easy wiring access
- Pole caps, base covers & bolts are sold separately
- Custom manufactured for each application



Square steel poles drilled for 2 Area Lights at 180°. Designed for ground mounting. Poles are stocked nationwide for quick shipment. Protective packaging ensures poles arrive at the job site good as new.

Color: Bronze

Weight: 167.6 lbs

Project:	Type:
Prepared By:	Date:

Technical Specifications

Listings

CSA Listed:

Suitable for wet locations

Construction

Shaft:

46,000 p.s.i. minimum yield.

Hand Holes:

Reinforced with grounding lug and removable cover

Base Plates:

36,000 p.s.i. minimum yield.

Shipping Protection:

All poles are shipped in individual corrugated cartons to prevent finish damage

Color:

Bronze powder coating

Height:

25 FT

Weight:

168 lbs

Gauge:

11

Wall Thickness:

1/8"

Shaft Size:

4"

Hand Hole Dimensions:

3" x 5"

Bolt Circle:

8 1/2"

Base Dimension:

8"

Technical Specifications (continued)

Construction

Anchor Bolt:

Galvanized anchor bolts and galvanized hardware and anchor bolt template. All bolts have a 3" hook.

Anchor Bolt Templates:

WARNING Template must be printed on 11" x 17" sheet for actual size. CHECK SCALE BEFORE USING. Templates shipped with anchor bolts and available [online](#).

Pre-Shipped Anchor Bolts:

Bolts can be pre-shipped upon request for additional freight charge

Max EPA's/Max Weights:

70MPH 4.3 ft./275 lb.
80MPH 1.7 ft./270 lb

Other

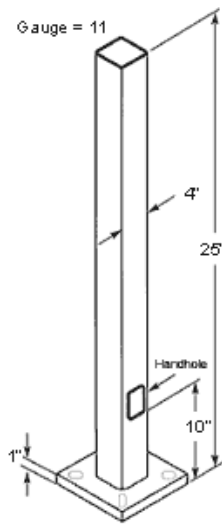
Terms of Sale:

Pole Terms of Sale is available [online](#).

Buy American Act Compliance:

RAB values USA manufacturing! Upon request, RAB may be able to manufacture this product to be compliant with the Buy American Act (BAA). Please contact customer service to request a quote for the product to be made BAA compliant.

Dimensions



Features

- Designed for ground mounting
- Heavy duty TGIC polyester coating
- Reinforced hand holes with grounding lug and removable cover for easy wiring access
- Pole caps, base covers & bolts are sold separately
- Custom manufactured for each application