



**ROCKFORD BOARD OF EDUCATION  
INVITATION FOR BID ON SUPPLIES, MATERIALS, EQUIPMENT OR SERVICES  
FOR SCHOOL DISTRICT NO. 205  
ROCKFORD, ILLINOIS**

IFB No.        **17-20 Summerdale ECC and Haskell Elementary School Window Replacements**

DATE:        **Tuesday, December 20, 2016**

RE:        **ADDENDUM NO. 2**

---

To All Bidders:

Attached are modifications, clarifications and/or corrections for the Project Manual and are hereby made a part of the contract documents. Please attach this addendum to the Project Manual(s) in your possession. Please note the receipt of this addendum on the bid form. Bidders shall review changes to all portions of this work as changes to one portion may affect the work of another.

**If you plan to hand deliver your IFB submission on the due date, please note you must check in on the 3rd floor prior to coming to the bid opening. Please allow time for this as late submission will not be accepted.**

Refer all questions relative to the business aspect, Instructions to Bidders, Special Conditions, and questions concerning the technical aspect of the documents to the Purchasing Process Manager by email at [tamara.pugh@rps205.com](mailto:tamara.pugh@rps205.com).

## **ADDENDUM TWO**

Project No.: **RPS# 17-20**

Date: **December 20, 2016**

Subject: **CHANGES to the BIDDING DOCUMENTS**

Project: **SUMMERDALE ECC AND HASKELL ELEMENTARY SCHOOL WINDOW  
REPLACEMENTS  
ROCKFORD PUBLIC SCHOOLS  
ROCKFORD, ILLINOIS**

Bids Due: **2:00PM, THURSDAY, DECEMBER 22, 2016**

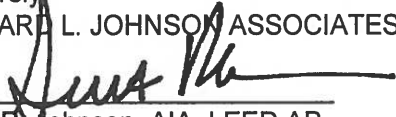
From: **RICHARD L. JOHNSON ASSOCIATES, INC.  
4703 CHARLES STREET  
ROCKFORD, IL 61108**

To: **ALL PROJECT DOCUMENT HOLDERS**

Please reproduce this Addendum as needed, and attach to the Project Manuals for the above project.

Bidders shall indicate receipt of this and all Addenda in the space provided on the Bid Form. Failure to do so may be sufficient cause to reject the bid.

Sincerely,  
RICHARD L. JOHNSON ASSOCIATES, INC.

  
\_\_\_\_\_  
Scott R. Johnson, AIA, LEED AP

This Addendum consists of:  
Pages 1 thru 3.  
Addendum Drawings ADA2.1, ADA2.2 and ADA2.3.

**NOTE:** Wherein this Addendum conflicts with the original Project Manual and Drawings, this Addendum shall govern.

## **QUESTIONS AND ANSWERS**

### **1. QUESTION #1:**

1.1. Question - For the bid bond, do you require 2 separate bonds at this time, or can we provide 1 to cover both schools, bids?.

1.2. Answer - One bid bond will be acceptable.

### **2. QUESTION #2:**

2.1. Question - With regard to the specifications, a 5 year warranty is requested. We have no issue with this warranty period with our insurance provider, material supplier and company workmanship. The bonding companies will only provide a 2 year coverage. Is the bond term an issue with regard to warranty?

2.2. Answer - No. They are not tied together.

## **CHANGES to the PROJECT MANUAL**

### **3. 074213 - METAL PANEL FASCIA**

3.1. Page 074213-4, par. 2.1. A: Add "Alucoil" as an approved manufacturer.

### **4. 122413 - ROLLER WINDOW SHADES**

4.1. Page 122413-3, par. 2.1. A: Add as an approved roller shade manufacturer: Draper XD Clutch Flexshade with Phifer 4800 and 2700 Sheer Weave Fabric.

## **CHANGES to the DRAWINGS**

### **5. HASKELL - DRAWING A107**

5.1. At window types W3, W5, W6 and W8: Change the mullion dimensions to be centered in the frame per the insulation added to details J3 and J5.

### **6. HASKELL - DRAWING A108**

6.1. At details H1, H4, J1 and J6: Change the solid surface material to new stained and sealed oak hardwood. The solid surface stools and aprons remain at details S1, S4 and S5.

**7. HASKELL - DRAWING A108**

- 7.1.** At details J3 and J5: Add 1/2" rigid insulation around the existing column. See Addendum Drawings ADA2.1 and ADA2.2.

**8. SUMMERDALE - DRAWINGS A107 AND A108**

- 8.1.** At window types W3, W4, W5, W6, W7, W8, W9, W10, W13, W15, W18, W19, W20 and W21: Change the mullion dimensions to be centered in the frame per the insulation added to detail J3.

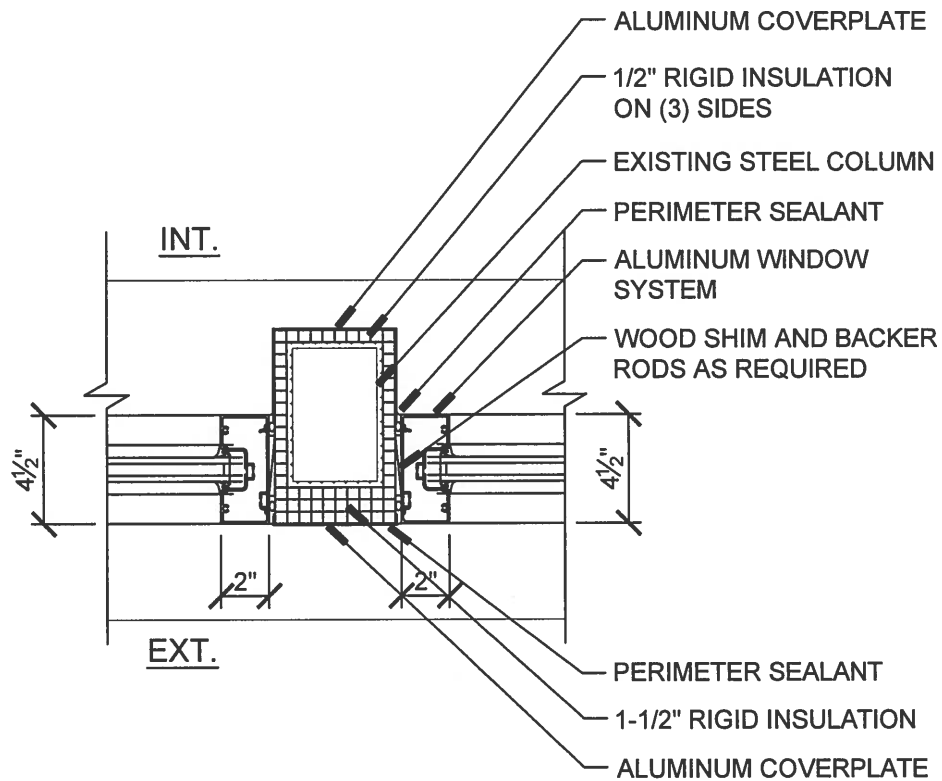
**9. SUMMERDALE - DRAWING A109**

At details H1 - BASE BID, H1 - ALTERNATE BID #3, H3, H4 and H5: The existing wood trim is to be removed by the Asbestos Contractor. The Window Contractor is to install new wood blocking in it's place.

**10. SUMMERDALE - DRAWING A110**

- 10.1.** At detail J3: Add 1" rigid insulation around the existing column. See Addendum Drawing ADA2.3.

**END ADDENDUM NUMBER 2**



**J3** **JAMB DETAIL**

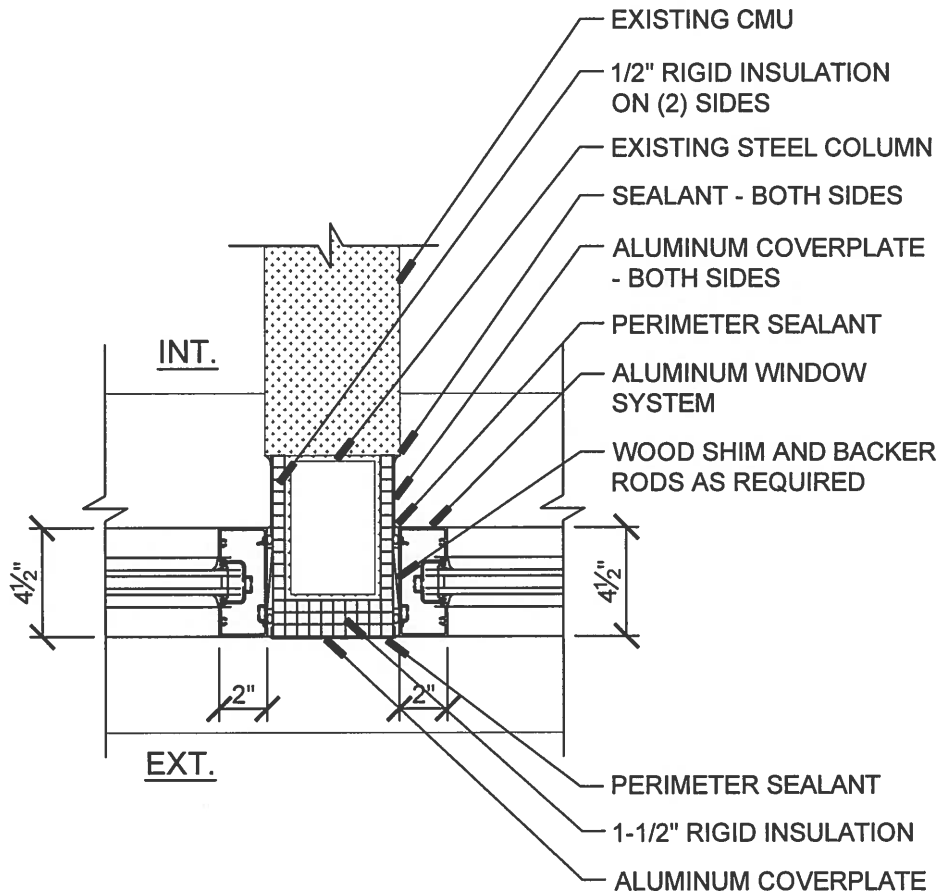
SCALE: 1-1/2"=1'-0"

**NOTE:**  
 ORIGINAL DRAWINGS SHALL  
 REMAIN IN FORCE EXCEPT  
 FOR CHANGES HERE-IN NOTED

**Window Replacement at  
 Summerdale ECC and Haskell ES  
 Rockford Public School District 205**

**RICHARD L. JOHNSON  
 ASSOCIATES | ARCHITECTS**

**JOB NO.: 15-050B/15-053** **ADDENDUM DWG.**  
**DATE: December 20, 2016** **ADA2.1**



**J5** **JAMB DETAIL**

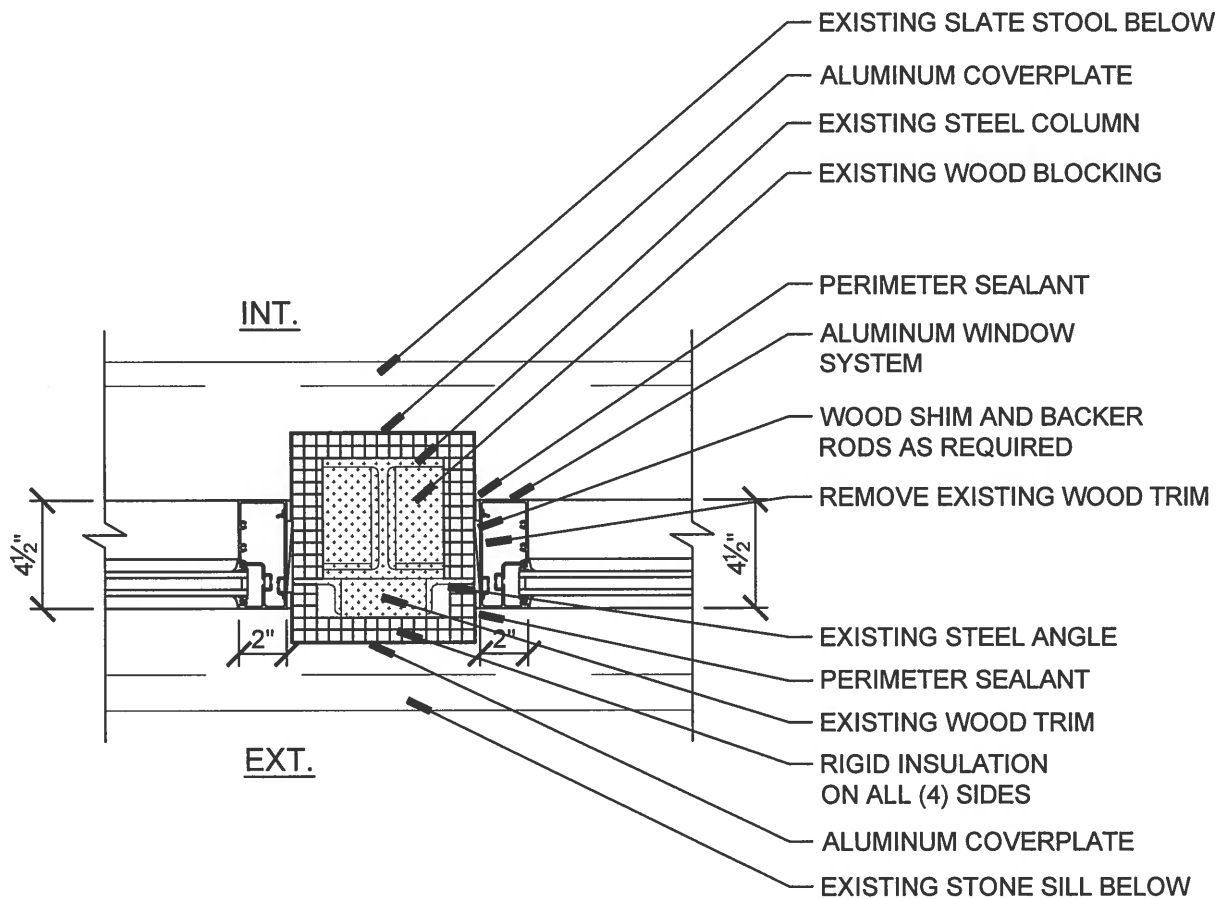
SCALE: 1-1/2"=1'-0"

**NOTE:**  
 ORIGINAL DRAWINGS SHALL  
 REMAIN IN FORCE EXCEPT  
 FOR CHANGES HERE-IN NOTED

**Window Replacement at  
 Summerdale ECC and Haskell ES  
 Rockford Public School District 205**

**RICHARD L. JOHNSON  
 ASSOCIATES | ARCHITECTS**

**JOB NO.: 15-050B/15-053** **ADDENDUM DWG.**  
**DATE: December 20, 2016** **ADA2.2**



**J3** **JAMB DETAIL**  
 SCALE: 1-1/2"=1'-0"

**NOTE:**  
 ORIGINAL DRAWINGS SHALL  
 REMAIN IN FORCE EXCEPT  
 FOR CHANGES HERE-IN NOTED

**Window Replacement at  
 Summerdale ECC and Haskell ES  
 Rockford Public School District 205**

**RICHARD L. JOHNSON  
 ASSOCIATES | ARCHITECTS**

**JOB NO.:** 15-050B/15-053 **ADDENDUM DWG.**  
**DATE:** December 20, 2016 **ADA2.3**