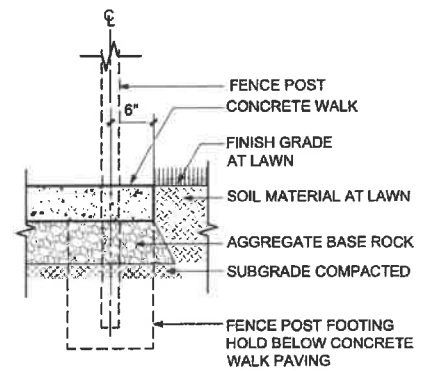


CONCRETE MOW STRIP AND FENCE

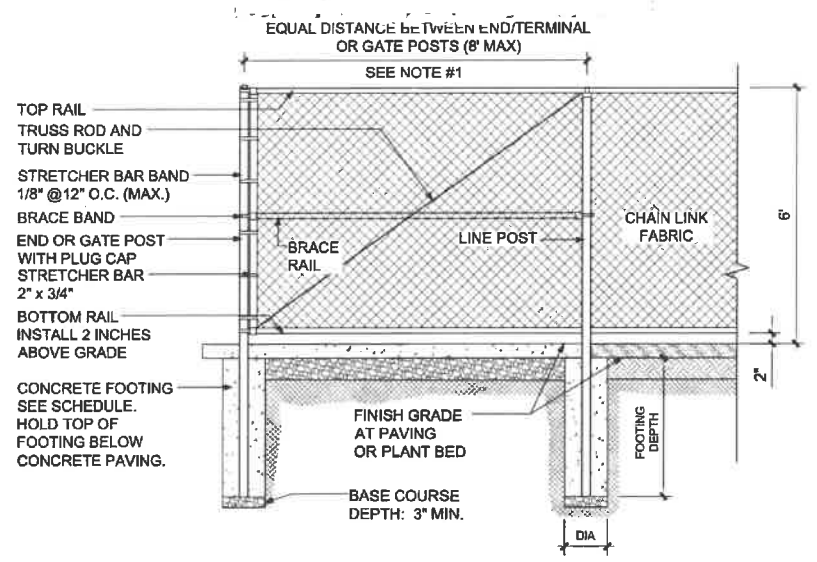
NTS 5



- NOTES**
1. SEE SPECIFICATIONS FOR CONCRETE FINISH.
 2. CONSTRUCT 1/4 INCH RADIUS AT EDGES OF PAVING.

CONCRETE WALK WITH FENCE AT EDGE

NTS 6



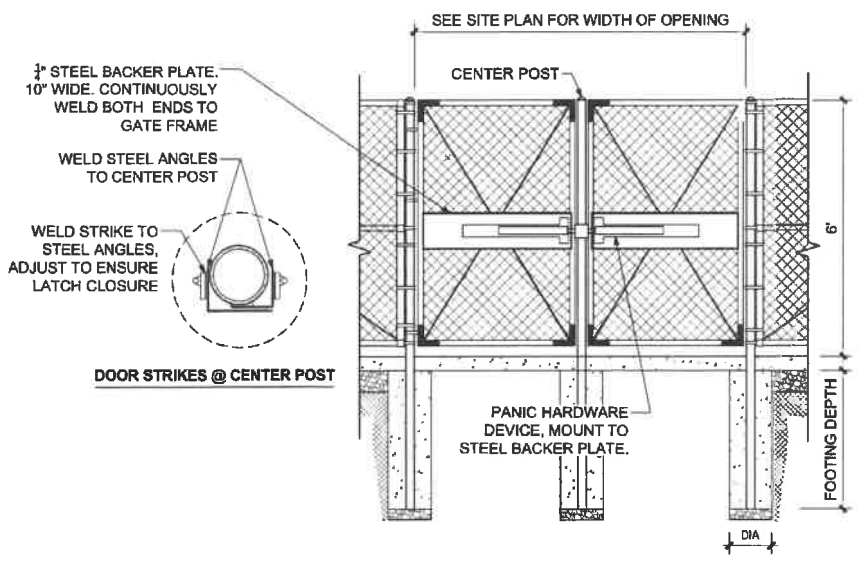
- NOTES**
1. COORDINATE LAYOUT AND INSTALLATION WITH CONCRETE WORK. LOCATE FENCE POSTS AT CONCRETE SCORE JOINTS AS SHOWN ON PLANS WHERE APPLICABLE.
 2. SUBMIT SHOP DRAWINGS FOR FENCE AS SPECIFIED.
 3. SEE SPECIFICATIONS FOR FINISHES AND MATERIALS.

FENCE FOOTING SCHEDULE

POST TYPE	FENCE HEIGHT	FOOTING DEPTH	FOOTING DIAMETER (DIA)
END, TERMINAL, OR GATE	6'-0"	36"	18"
LINE	6'-0"	30"	12"

CHAINLINK FENCE
6-FT TALL

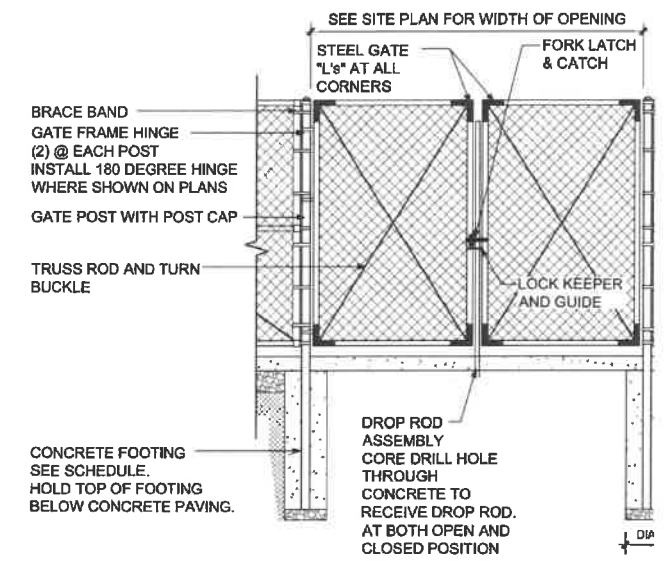
NTS 3



- NOTES**
1. SUBMIT SHOP DRAWINGS FOR FENCE, GATE, AND ASSEMBLIES AS SPECIFIED.
 2. SEE SPECIFICATIONS FOR FINISHES AND MATERIALS.
 3. CONFIRM GATE SWING IS NOT IMPEDED BY SURROUNDING GRADES OR SITE ELEMENTS PRIOR TO FABRICATION. NOTIFY OWNER'S REPRESENTATIVE OF CONFLICTS.

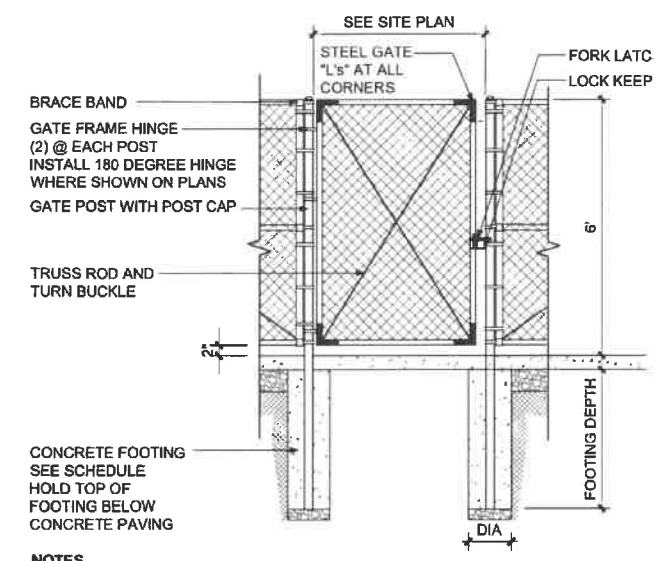
CHAINLINK SWING GATE WITH PANIC HARDWARE

NTS 4



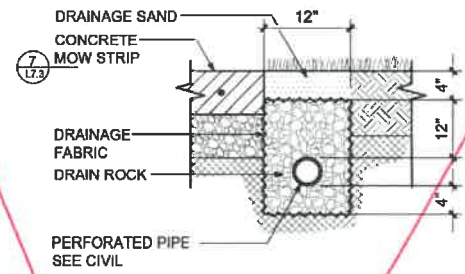
- NOTES**
1. COORDINATE LAYOUT AND INSTALLATION WITH CONCRETE WORK. LOCATE FENCE AT CONCRETE SCORE JOINTS AS SHOWN ON PLANS WHERE APPLICABLE.
 2. SUBMIT SHOP DRAWINGS FOR FENCE, GATE, AND ASSEMBLIES AS SPECIFIED.
 3. SEE SPECIFICATIONS FOR FINISHES AND MATERIALS.
 4. CONFIRM GATE SWING IS NOT IMPEDED BY SURROUNDING GRADES OR SITE ELEMENTS PRIOR TO FABRICATION. NOTIFY OWNER'S REPRESENTATIVE OF CONFLICTS.
 5. CORE DRILL A HOLE FOR THE DROP ROD ASSEMBLY TO ALLOW GATES TO BE HE

CHAINLINK DOUBLE SWING GATE



- NOTES**
1. COORDINATE LAYOUT AND INSTALLATION WITH CONCRETE WORK. LOCATE FENCE AT CONCRETE SCORE JOINTS AS SHOWN ON PLANS WHERE APPLICABLE.
 2. SUBMIT SHOP DRAWINGS FOR FENCE, GATE, AND ASSEMBLIES AS SPECIFIED.
 3. SEE SPECIFICATIONS FOR FINISHES AND MATERIALS.
 4. CONFIRM GATE SWING IS NOT IMPEDED BY SURROUNDING GRADES OR SITE ELEMENTS PRIOR TO FABRICATION.

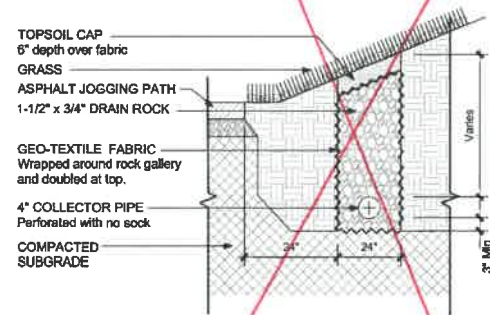
CHAINLINK SINGLE GATE



- NOTES**
1. DRAINAGE SAND: COLUMBIA RIVER SAND, OR APPROVED EQUAL.

PERFORATED PIPE IN LAWN

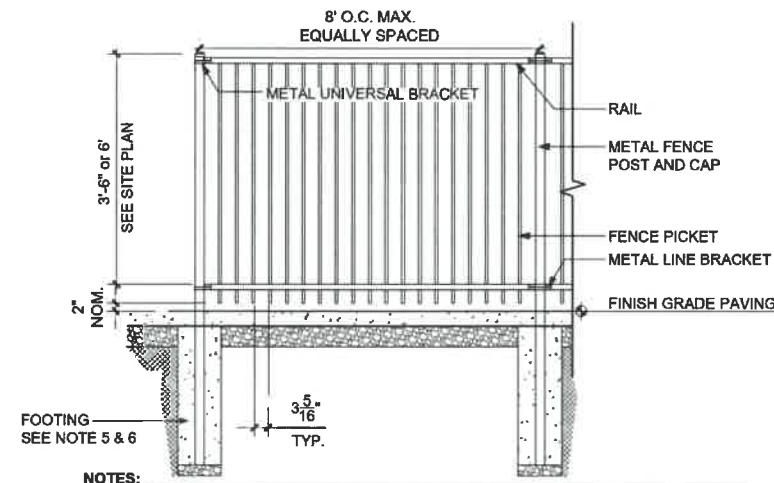
NTS (7)



- NOTES**
1. SLOPE PIPE AT 0.5% TO DRAIN IN DIRECTION ARROW INDICATED ON GRADING PLAN. TRENCH DEPTH TO VARY.
 2. SAND: COLUMBIA RIVER SAND, OR APPROVED EQUAL.
 3. PROTECT EXISTING LATERAL DRAINS AND ADJUST TO DRAIN INTO ROCK GALLERY.
 4. NOTIFY OWNER IMMEDIATELY IF AGGREGATE COURSE IS DISCOVERED DURING EXCAVATION. EXCAVATION OF SIDEWALLS AND BASE SHOULD BE IN COMPACTED SILT.
 5. DRAIN ROCK TO HAVE A MAX. 2% FINES.
 6. GEOTEXTILE FABRIC SHALL MEET THE SPECIFICATIONS PROVIDED IN OSSC TABLE 02320-1 - GEOTEXTILE PROPERTY VALUES FOR TYPE 1 OR 2 DRAINAGE GEOTEXTILE.

CURTAIN DRAIN

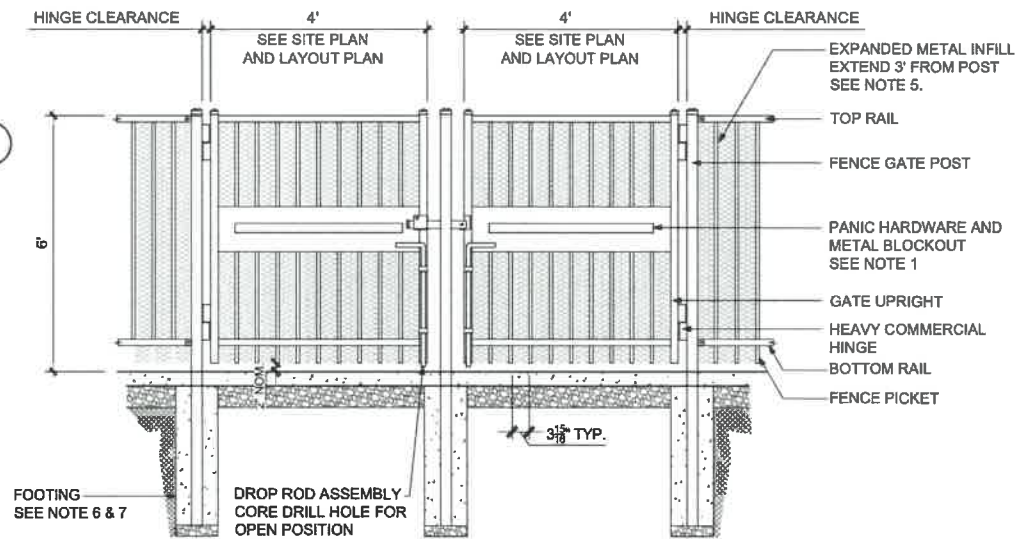
NTS (8)



- NOTES:**
1. SEE SPECIFICATIONS. CONTRACTOR TO PROVIDE SHOP DRAWINGS SHOWING FENCE AND GATE FABRICATION AND INSTALLATION (INCLUDING ATTACHMENT TO BUILDING) PRIOR TO CONSTRUCTION.
 2. SEE PRODUCT SPECIFICATION FOR INSTALLATION REQUIREMENTS.
 3. COORDINATE LAYOUT AND INSTALLATION WITH CONCRETE WORK.
 4. SEE SPECIFICATIONS FOR FINISHES AND MATERIALS.
 5. INSTALL FENCE POST AND CONCRETE FOOTINGS PER MANUFACTURER'S REQUIREMENTS.
 6. HOLD FOOTING DOWN BELOW FINISH PAVING.

DECORATIVE METAL FENCE

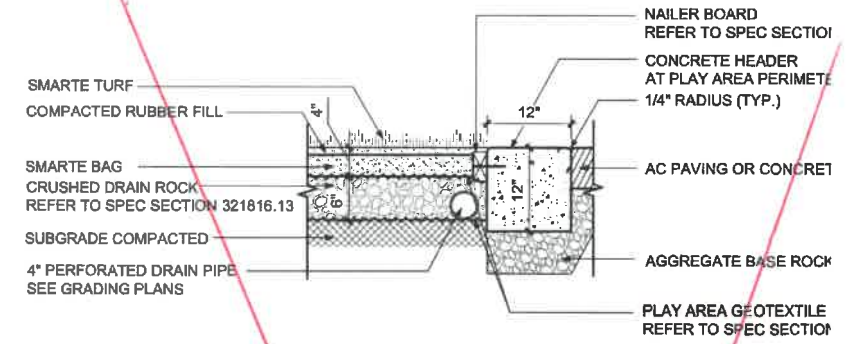
NTS (5)



- NOTES:**
1. SEE SPECIFICATIONS. CONTRACTOR TO PROVIDE SHOP DRAWINGS SHOWING FENCE AND GATE FABRICATION AND INSTALLATION (INCLUDING ATTACHMENT TO BUILDING) PRIOR TO CONSTRUCTION.
 2. SEE PRODUCT SPECIFICATION FOR INSTALLATION REQUIREMENTS.
 3. COORDINATE LAYOUT AND INSTALLATION WITH CONCRETE WORK.
 4. SEE SPECIFICATIONS FOR FINISHES AND MATERIALS.
 5. EXPANDED METAL INFILL TO MATCH FENCE FINISH.
 6. INSTALL FENCE POST AND CONCRETE FOOTINGS PER MANUFACTURER'S REQUIREMENTS.
 7. HOLD FOOTING DOWN BELOW FINISH PAVING.

DECORATIVE METAL SWING GATE

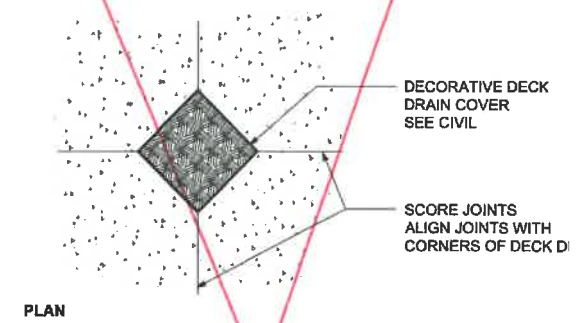
NTS (6)



- NOTES**
1. INSTALL SURFACING SYSTEM PER MANUFACTURER RECOMMENDATIONS AND REQUIREMENTS.
 2. SLOPE PERFORATED PIPE AT MINIMUM OF 1% TOWARDS COLLECTOR PIPE. SEE CIVIL DRAWINGS FOR CONNECTION TO STORM SYSTEM.

PLAYGROUND SURFACING

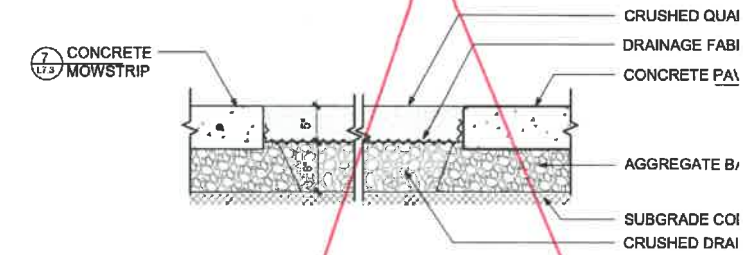
NT



PLAN

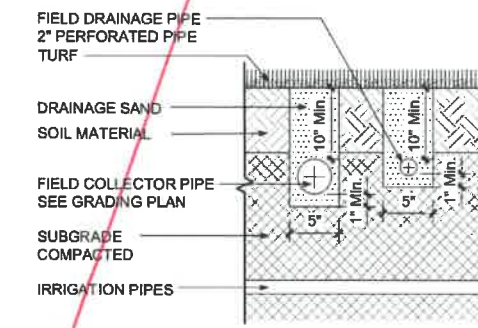
DECORATIVE DECK DRAIN ALIGNMENT

NT



CRUSHED QUARRY SAND

NT



- NOTES**
1. SLOPE PIPE TO DRAIN IN DIRECTION ARROW INDICATED ON GRADING PLAN.
 2. DRAINAGE SAND: COLUMBIA RIVER SAND, OR APPROVED EQUAL.

ATHLETIC FIELD - SUBGRADE DRAINAGE

NT