

REQUEST FOR QUOTATION	<p style="text-align: center;">TROY SCHOOL DISTRICT</p> <p style="text-align: center;">1140 RANKIN, TROY, MICHIGAN 48083</p> <p style="text-align: center;">248-823-4052</p> <p style="text-align: center;">FAX: 248-823-4077</p>	REQUISITION
No. 9433		
DUE DATE 7-23-07 NO LATER THAN 3 p.m.		DATE 7-5-07

REQUEST FOR QUOTE – NOT AN ORDER

THIS FORM MUST BE UTILIZED WHEN RESPONDING TO THIS REQUEST
 BID ENVELOPE ENCLOSED

THE RFQ NUMBER MUST APPEAR ON ALL QUOTATIONS AND RELATED CORRESPONDENCE, THIS IS NOT AN ORDER

Quantity	DESCRIPTION	UNIT PRICE	AMOUNT
	<p>Please supply us with your bid to furnish the Troy School District with new chain link fencing for Leonard Elementary School.</p> <p style="text-align: center;">Copies of the bid are available at: www.troy.k12.mi.us/purchasing/items_out_for_bid.htm</p> <p style="text-align: center;">Bid recaps will be available at: troy.k12.mi.us/purchasing/index.htm</p> <p style="text-align: center;"><u>FACSIMILE BID IS NOT ACCEPTABLE</u></p> <p>Bids will not be accepted if submitted after the deadline specified (local time) in the advertisement to bid or in the information to bidders. The late submission of a bid makes the bid nonrepsonsive and is a material defect which shall not be waived by the Board of Education. Delays in the mail will not be considered. All Late bids in the mail will be returned to the bidder unopened.</p> <p>Proposal for the submission of alternatives by vendors will be accepted and reviewed. However, if any substitution or departure is not clearly noted and described, it will be understood that the bid intends to exactly meet the specifications.</p> <p>The Board of Education shall be the sole judge as to whether the proposed goods are "equal" or "approved". Quotations must be mailed or delivered to the Purchasing Office, 1140 Rankin, Troy, MI 48083 no later than 3 p.m. on the date shown above. Michigan State Sales and Use Taxes and Federal Excise Taxes do not apply unless otherwise indicated. Exemption certificates will be furnished when necessary. This request imposes no obligations on the buyer. The Board of Education reserves the right to accept or reject any or all bids or to split awards by items or to accept bids, which will best serve the Board of Education.</p>		

THIS AREA MUST BE FILLED IN

DELIVERY TIME	PRICES FIRM FOR	NAME OF COMPANY	TELEPHONE NO.
TERMS		NO. & STREET	FAX #
FOB DELIVERED	ALL DELIVERY CHARGES MUST BE INCLUDED IN PRICES SHOWN	CITY, STATE & ZIP CODE	E-MAIL
CONTACT PERSON (PLEASE PRINT)		SIGNATURE	DATE

AFFIDAVIT OF BIDDER

The undersigned, the owner or authorized officer of _____
(the "Bidder), pursuant to the familial disclosure requirement provided in the _____
_____ (the "School District") advertisement for construction bids, hereby
represent and warrant except as provided below, that no familial relationships exist
between the over(s) or any employee of
_____ and any member of the Board of Education of the
School District or the Superintendent of the School District.

List any Familial Relationships:

BIDDER:

By: _____

Its: _____

STATE OF MICHIGAN)
)ss.
COUNTY OF _____)

This instrument was acknowledged before me on the _____ day of _____, 2006,
by _____.

,Notary Public

_____ County, Michigan

My Commission Expires: _____

Acting in the County of: _____

TROY SCHOOL DISTRICT
Request for Quotation # 9433
Fencing for Leonard Elementary School

The Troy School District is seeking pricing for fencing at Leonard Elementary School. All quotations are due no later than at 3:00 pm local time.

The **Troy School District** is seeking bids for the supply and installation fencing for Leonard Elementary School, 4401 Tallman, Troy, MI 48085. Bid Proposals will be received by the Troy School District, 1140 Rankin, Troy, MI 48098 delivery or mail, to the attention of Frank Lams by 3:00 p.m. local time on Monday, July 23, 2007. Proposals must be sealed with Bidder's name on the outside of the envelope and designated as follows:

Sealed Proposal
Fencing, Leonard Elementary
Bid Package No. 9433
Contractor Name, Address, Phone Number

Proposals shall be used on the requirements set forth.

BID PACKAGE NO. 9433 Fencing

Accepted Bidders will be required as a condition precedent to award of Contract, to furnish in the amount of 100% of the contract price, satisfactory Performance Bond and Payment bond and Certificates of Insurance as required.

Bid proposals will be publicly opened immediately following receipt of bids by the Troy School District, and evaluated by the District, with awards subsequently made by Troy School District.

The District shall not open, consider, or accept a Bid Proposal that is received after the date and time specified for bid submission in this Advertisement for Bids.

Bidding Documents will be available for examination and distribution on or after Monday, July 9, 2007. Examination may be made at the following locations:

- Troy School District, Purchasing Dept, 1140 Rankin, Troy, MI 48083

Bid specifications will also be available for free download at the District's website:
www.Troy.k12.mi.us/Purchasing/Items_for_bid.htm

Bid proposals shall be on forms furnished by Troy School District. Bidders will be required to submit with their Bid Proposals, a notarized Familial Relationship Disclosure Form included within this bid document, a Bid Security by a qualified surety authorized to do business in the State of Michigan where the Project is located, an OSHA Form 300 for the most recent completed year, their worker's compensation Experience Modification Rate (EMR) factor, and any other information required in the Instructions to Bidders. Bidder shall not withdraw a Bid Proposal for a period of **forty-five (45) Days** after date for receipt of Bid Proposals.

The right to accept or reject any or all Bid Proposals, either whole or in part, to waive any information or irregularities therein and to award the contract to other than the low bidder is reserved by Troy School District.

All Bid Proposals shall be accompanied by the sworn and notarized statement included, disclosing any familiar relationship that exists between the District or any employee of the bidder and any member of the School Board or the superintendent of the School District. Bid proposals that do not include this sworn notarized disclosure statement will not be considered accepted.

Site Review:

Contractors wishing to visually inspect the site may schedule a time with the District. A minimum 48 hour lead time is required to inspect the site. Site inspection prior to submittal of proposal is desirable but not required.

Proposal Submittal:

All proposals for the work outlined hereunder are due no later than 3:00 pm on Monday, July 23, 2007 at the Troy School District's Purchasing Office, 1140 Rankin, and Troy MI 48083. **NO PROPOSALS WILL BE ACCEPTED AFTER THIS TIME.** All proposals **MUST** be in a sealed envelope clearly marked "Leonard Elementary School Fencing TSD BID# 9433". Facsimile bids are **NOT** acceptable.

All proposals must include a signed and notarized "Statement of Familial Disclosure". Any proposal which does not include this statement signed and notarized will be considered incomplete and will be rejected.

END OF ADVERTISEMENT

Other Proposal Considerations:

The successful bidder and its subordinate parties shall comply with the Prevailing Wage requirements for all work as required by the State of Michigan Public Act 166 dated 1965 as amended. The prevailing wage and fringe benefit rates are included in Appendix A.

Electronic copies of CAD drawings of the requested work will not be provided by Architect or Owner for contractor's usage in preparing submittals.

NOTES TO BIDDERS:

Bidder has carefully read, reviewed and understands the bidding Documents and its bid Proposal is made in accordance therewith.

Bidder's Bid Proposal is based upon the materials, systems and equipment required by the Bidding Documents without exception.

Bidder certifies that it has examined the Project site, has carefully reviewed the Bidding and Contract Documents, has compared its examination of the Project site with the Bidding and Contract Documents, including the Drawings and Specifications, and is satisfied as to the condition of the Project site, any surface or subsurface obstruction, removal and demolition measurements and quantities involved in the Work, and is familiar with conditions of the Project area, and has taken account of all of these factors in preparing and presenting its Bid Proposal. Bidder further certifies that it has fully acquainted itself with the character and extent of the District' and other contractor's operations in the area of the Work, and it has taken account of coordination of operations of others its construction plans set forth in the Bid Proposal. No change orders will be issued to the **Contractor**, for, or on account of, costs or expenses occasioned by its failure to comply with the provisions of this paragraph, or by reason of error or oversight on the part of the **Contractor**, or on account of interferences by the District or other contractor's activities.

The Bidder, by submitting its bid Proposal, represents that it has carefully reviewed the project schedule, along with the related requirements Schedule and Phasing, and acknowledges that these are acceptable and have been taken into account in preparing its Bid Proposal.

Bidders may obtain Bidding Documents pursuant to the requirements in the **Advertisement to Bid**.

Bidders shall use complete sets of bidding Documents in preparing bid Proposals. Neither the District nor the Architect shall be responsible for errors, omissions or misinterpretations resulting from the bidder's use of partial sets of Bidding Documents.

Copies of the bidding Documents are being made available on the above terms for the purposes of obtaining Bid Proposals for the Work only. Bidders shall not use the bidding Documents for any other purpose. Neither the District nor the Architect warrants the completeness of the Bidding Documents.

The Contractors shall be responsible to review bid Documents before start of construction and bring any items that could be considered errors or omissions to the attention of the Architect. Any error omission items discovered after start of construction shall be the responsibility of the Contractor if determined to be reasonable by the Architect.

Bidder shall promptly notify the District of all ambiguities, inconsistencies, or errors that it may discover upon examination of the bidding Documents or upon examination of the Project site and local conditions.

Bidders requesting clarification or interpretation of the bidding documents shall make a written request, which shall reach the District at least five (5) days prior to the date for receipt of Bid Proposals. Direct all questions to:

Troy School District
1140 Rankin
Troy MI 48083
Attn: Mr. F. Lams

Any Interpretation, correction, or change of the Bidding Documents will be made by Addendum, Interpretations, corrections, or changes of the Bidding Documents made in any other manner will not be binding, and Bidders shall not rely upon such interpretation, corrections, and changes. Addenda will be mailed, faxed or delivered to all who are known to have received the Bidding Documents.

Addenda will be mailed, faxed or delivered to all who are known by the District to have a complete set of Bidding Documents. Copies of Addenda will be made available for inspection wherever Bidding Documents are on file for that purpose.

No addenda will be issued later than **three (3)** days prior to the date for receipt of Bids except an Addendum withdrawing the request for bid Proposals.

Each Bidder shall ascertain prior to submitting its bid Proposal that it has received all Addenda issued, and it shall acknowledge its receipt in the proper location on the bid Proposal.

Each Bidder must bid on all Alternates listed in the Bid Proposal that are applicable to its Bid. Alternates will be fully considered in awarding the Agreement.

Troy School District shall be allowed a period of **forty-five (45)** Days after date of receipt of the Bid Proposals to exercise the right to accept or reject any or all Alternates submitted on the Bid Proposal.

Successful Bidder shall perform all Work required for complete execution of accepted Alternates, and the Bid Proposal shall include all overhead and profit for the Work required.

All Bid Proposals must be based upon the Contract documents. In addition to a Base bid Proposal, the submission of voluntary alternates is acceptable and encouraged.

If a voluntary Alternate is submitted for consideration, it shall be expressed on the bid form as an add or deduct amount from the Base Bid. If a voluntary Alternate is submitted, the Bidder shall also submit sufficient information in the form of drawings, specifications, test data, delivery dates, scheduling issue considerations, and all other information necessary and sufficient for analysis of the Alternate. The District reserve the right to unilaterally accept or reject voluntary Alternates and to determine if the voluntary Alternates will be considered in the awarding of the Agreement.

Successful Bidders shall perform all Work required for complete execution of accepted Unit Prices, and such Unit Prices shall include all overhead and profit for the Work required.

This Project is subject to state Sales Tax and/or Use Tax and the Bidder's Bid Proposal shall include all applicable sales and use tax.

All bidders shall ensure that employees and applicants for employment are not discriminated against because of their race, color, religion, sex, national origin, age, marital status, sexual orientation or disability and in conformance with local, state and federal laws, regulations and ordinances.

PREVAILING WAGES – The successful Bidder and its Subordinate Parties shall comply with the Prevailing Wage requirements.

Bid Proposals shall be submitted triplicate on the bid Proposal Form included.

All blanks on the Bid Proposal Form shall be filled.

Where so indicated by the makeup of the Bid Proposal Form, sums shall be expressed in both words and figures, and in case of discrepancy between the two, the amount written in words shall govern.

All interlinear marks, alterations or erasures shall be initialed by the signer of the Bid Proposal.

All requested Alternates and/or Unit Prices shall be bid. A dollar amount of each Alternate and/or Unit Price in both words and numerals, even if the amount is \$0.00, shall be included. Terminology such as "No Bid", "Not Applicable", "No Change" or "Does Not Apply" shall not be used. If the Alternate and/or Unit Price do not apply to the bidder, an amount of \$0.00 shall be included.

Each copy of the bid Proposal shall include the legal name of the bidder and a statement that the Bidder is a sole proprietor, a partnership, a corporation, or some other legal entity. Each copy shall be signed by a person or persons legally authorized to bind the Bidder to a contract of the size and scope of the Agreement. A Bid Proposal by a corporation or LLC shall further indicate the state of incorporation or registration. A Bid Proposal submitted by an agent shall have a current power of attorney attached certifying the agent's authority to bind the bidder.

The Work of an individual Bid Category described in these documents is the sole responsibility of the successful Bidder that Bid Category. Bids will only be accepted on the full scope of Work outlined by this Bid package/Bid Category.

Each Bid Proposal received shall be in strict conformity with requirements of the bidding Documents, including, but not limited to, the Description of the Work/Special Provisions, Work Scopes and Scheduling information.

Bid security in the form of a bid bond issued by a qualified surety, certified check or cashier's check in the amount of five percent (5%) of the Base bid amount will be required, at the time of submission of the Bid Proposal. Bid bonds, shall be duly executed by the Bidder, as principal and by a surety that is properly licensed and authorized to do business in the state in which the Work is to be performed.

All sureties providing bonds for the Project must be listed in the latest version of the Department of Treasury's Circular 570, entitled "Companies Holding Certificates of Authority as Acceptable Sureties on Federal Bonds and as Acceptable Reinsuring Companies", with the bond amount less than or equal to the underwriting limitation, and/or have an A.M. best rating of A-or better.

Bid bond shall pledge that the Bidder, with the understanding that if its Bid Proposal is accepted, will enter into the Agreement with the **Troy School District** for any of the bid Category (ies) accepted from its Bid Proposal and will, if required, furnish performance and payment bonds covering the faithful performance of the Agreement and payment of all obligations arising there under. The attorney-in-fact, who signs the surety bond, must submit along with the bond, a certified and effectively dated copy of his/her power of attorney.

Bid bond from AIA Document A301 is approved for use on the Project.

The bid security obliges shall be **Troy School District** and the amount of the bid security shall become **their** property in the event that the Bidder fails, within **Ninety (90)** days of notice of award or receipt of the Agreement form, to execute the Agreement and deliver the performance and payment bonds as described. In such case, the bid security shall be forfeited to **Troy School District** as liquidated damages, not as a penalty.

The District will have the right to retain the bid security (ies) of Bidders to whom an award is being considered until either (1) the Agreement has been executed and bonds, if required, have been furnished, or (b) the specified time has elapsed so that Bid Proposals may be withdrawn, or (c) all bid proposals have been rejected.

Bid security will be returned to successful Bidders after the Agreement has been executed and acceptance of required performance and payment bonds. The bid security of Bidders that are not under consideration for award of the Agreement will be returned to those bidders.

All copies of the Bid Proposal, the bid security and any other documents required to be submitted with the Bid Proposal shall be enclosed in a sealed opaque envelope. The envelope shall be addressed to the party receiving the Bids and shall be identified with the Project name, the Bidder's name and address, if applicable, the designated portion of the Work for which the Bid Proposal is submitted. If the Bid proposal is sent by mail, the sealed envelope shall be enclosed in a separate mailing envelope with the notation "SEALED BID ENCLOSED" on the face of the envelope.

Bid Proposals shall be deposited at the designated location prior to the time and date for receipt of Bid Proposals indicated in the **Advertisement to Bid**. Bid Proposals received after the date and time for receipt of bids will be returned unopened.

The bidder shall assume full responsibility for timely delivery at the location designated for receipt of Bid Proposals.

Oral, telephonic, facsimile, emailed, or telegraphic Bid Proposals or bid securities are invalid and will not receive consideration.

A Bid Proposal may not be modified, withdrawn or canceled by the bidder after the stipulated time period and date designated for the receipt of Bid Proposals, and each bidder so agrees in submitting its Bid.

Prior to the time and date designated for receipt of Bid Proposals, and Bid Proposal submitted may be modified or withdrawn by notice to the party receiving bid Proposals at the place designated for their receipt. Such notice shall be in writing over the signature of the Bidder.

Withdrawn Bid Proposals may be resubmitted up to the time designated for the receipt of bids provided that they are then fully in conformance with these instructions to Bidders.

Bid Proposals received on time will be opened publicly.

Bid Proposals shall be held open and irrevocable for **Forty-five (45)** Days after the date of receipt of bids.

Troy School District shall have the right to reject any or all Bid Proposals and to reject a Bid Proposal not accompanied by the required bid security or by other information required by the Bidding Documents, or to reject a bid Proposal which is in any way incomplete or irregular.

Bid Proposals are considered irregular and may be rejected for any of the following reasons unless otherwise provided by law:

1. If Bid Proposal Form furnished is not used or is altered.
2. If there are unauthorized additions, qualified or conditional Bid Proposals or irregularities of any kind which may make the Bid Proposal incomplete, indefinite, or ambiguous as to its meaning.
3. If Bidder adds any provisions reserving right to accept or reject any award, or enter into the Agreement pursuant to an award.
4. If Unit or Lump Sum prices or Alternates contained in the Bid Proposal are obviously unbalanced either in excess of, or below, reasonable cost analysis values.
5. If Bidder fails to complete the Bid Proposal Form where information is requested so the Bid Proposal form cannot be properly evaluated.
6. Bidder is deemed to not be the Lowest Responsive, Responsible Bidder by definition and prevailing statutes.
7. Bidder does not submit with its Bid Proposal a sworn and notarized statement of Familial Disclosure.

It is the intent of the **Troy School District** to award the Agreement to the Lowest Responsive and Responsible Bidder provided the Bid Proposal has been submitted in accordance with the requirements of the Bidding Documents and does not exceed the funds available. **Troy School District** shall have the right to waive any informality or irregularity in any Bid Proposal received and to accept Bid Proposals, which in its judgment, are in its own best interest which includes not awarding to the low bidder. **Troy School District** reserves the right to reject any Bid Proposal in its sole discretion except where otherwise provided by law.

Troy School District shall have the right to accept Alternates in any order or combination and to determine the low bidder on the basis of the sum of the base bid, Voluntary Alternates, and Alternates accepted.

Troy School District shall have the right to accept combination bids from a Bidder for more than one Bid Category.

To the extent that these instructions to Bidders and applicable public bidding laws, rules, regulations or ordinances conflict with each other, the provisions of the applicable bidding laws, rules, regulation or ordinances shall govern.

After the bids are received tabulated, and evaluated, the apparent low bidders if so requested by the District and/or Architect shall meet with the Architect at a post-bid meeting for the purpose of determining completeness of scope and any contract overlaps or omissions. If requested, the Bidder shall submit additional qualification forms or other information as required in the instructions to Bidders. The bidder will provide the following information at the post-bid meeting:

1. Designation of the Work to be performed by the Bidder with its own forces including manpower for the **Contractor** and that of its Subordinate Parties.
2. Detailed cost breakdown of the Bidder's Bid Proposal including labor, equipment and material unit prices.
3. A list of names of the Subordinate Parties proposed for the principal portions of the Work.
4. The proprietary names and suppliers of principal items of systems of materials and equipment proposed for the Work.
5. The names and backgrounds of the Bidder's key staff members including superintendent and assistants. Bidder shall be requested to establish the reliability and responsibility of the persons or entities proposed to furnish and perform the Work described in the bidding Documents.
6. Commitment to construction schedules, identification of items requiring long lead deliveries and manpower information.

PERMITS:

Contractor shall provide and pay for all permits, assessments, governmental fees, bonds, connection charges, licenses and inspection fees and any other charges necessary for the proper execution and completion of the **Contractor's** Work.

Contractor is to provide, pay for and coordinate all other permits, fees, inspections, and city, county, state, federal and governing authority approvals required for the successful completion of the Work.

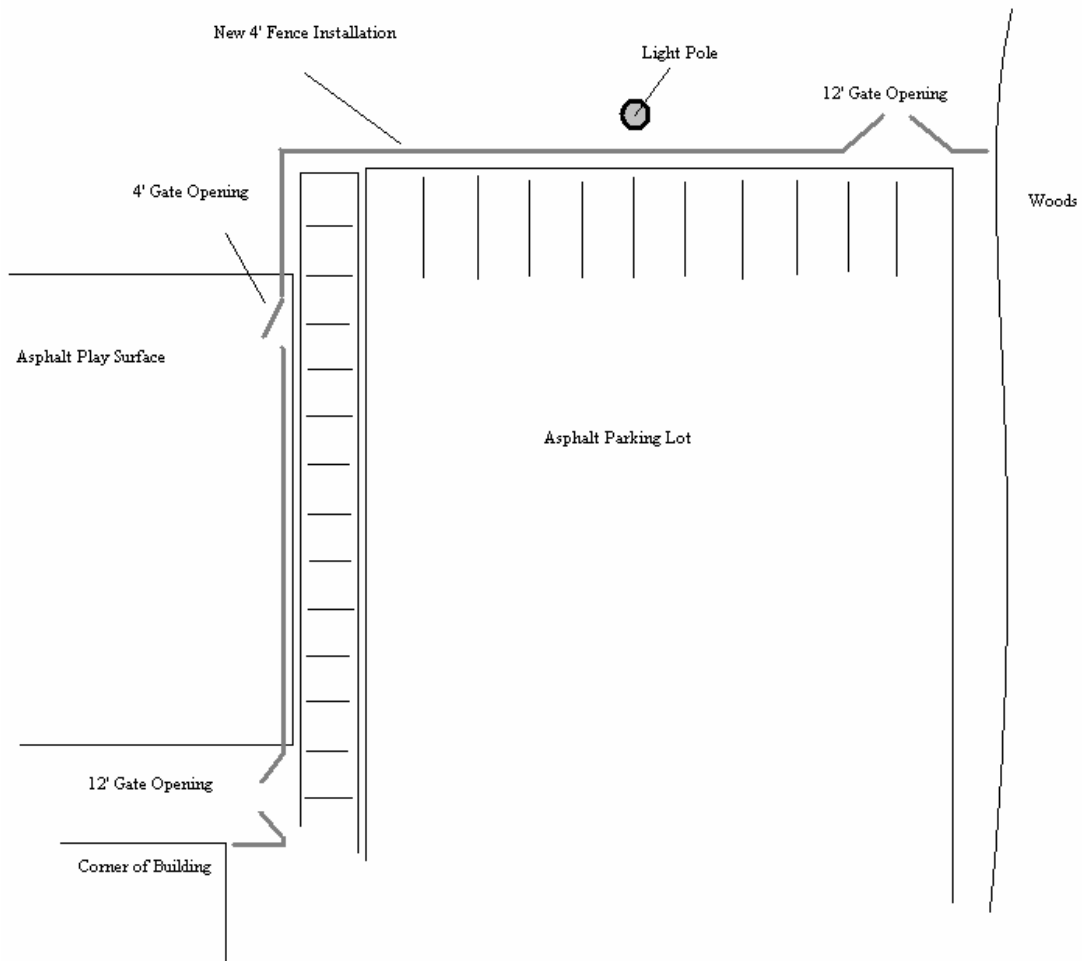
Leonard Elementary – Fencing Specifications

Troy School District

Part 1 – General

1.01 WORK SCOPE

- A. Provide labor, materials, and equipment necessary to install fencing as specified below at Leonard Elementary School – 4401 Tallman Troy, Michigan 48085. New fencing to be installed should match existing fence located around small playground area on north front corner of the building. New fencing will start from the northwest corner of the back parking to the northwest back corner of the building. This fence is being installed as a safety barrier between the playground area and the parking lot.



1.02 SCHEDULING

- A. The completion date for the project is **01 September 2007**.

Part 2 – Service

2.01 SERVICE SCOPE

- A. Install new fencing and gates as authorized by the Director of Operations.
- B. Provide a detail list of the materials that will be required to complete this project.
Total length of fencing required and installation timeline.
- C. Remove all debris (soil, asphalt, etc) from district property in accordance with local and state regulations.
- D. Repair any and all areas damaged during the installation of the fencing. Make sure to take every precaution to safety install the fencing without harming humans, wildlife or surrounding environment. Any damage to structures, sidewalks, curbs, grass, street pavement, etc will be repaired with like materials at the contractor's expense.
- E. All debris must be removed and the area cleaned up at the end of each work day. No debris should be left in the flow-line of the street, walkway or play areas.

Part 3 – Execution

3.01 INSPECTION

- A. All work will be performed to the satisfaction of the Director of Operations. If upon inspection by the Director of Operations or his representative and the work is found to be unsatisfactory, the work will be corrected at the contractor's sole expense and at no cost to the Troy School District within 20 days from the date of notice. The decision of the Director of Operations or his representative will be final.
- B. Once the project is completed the company rep will be required to walk the sites with the Director of Operations (Kenneth D. Miller) for final approval.

3.02 SAFETY GUIDELINES

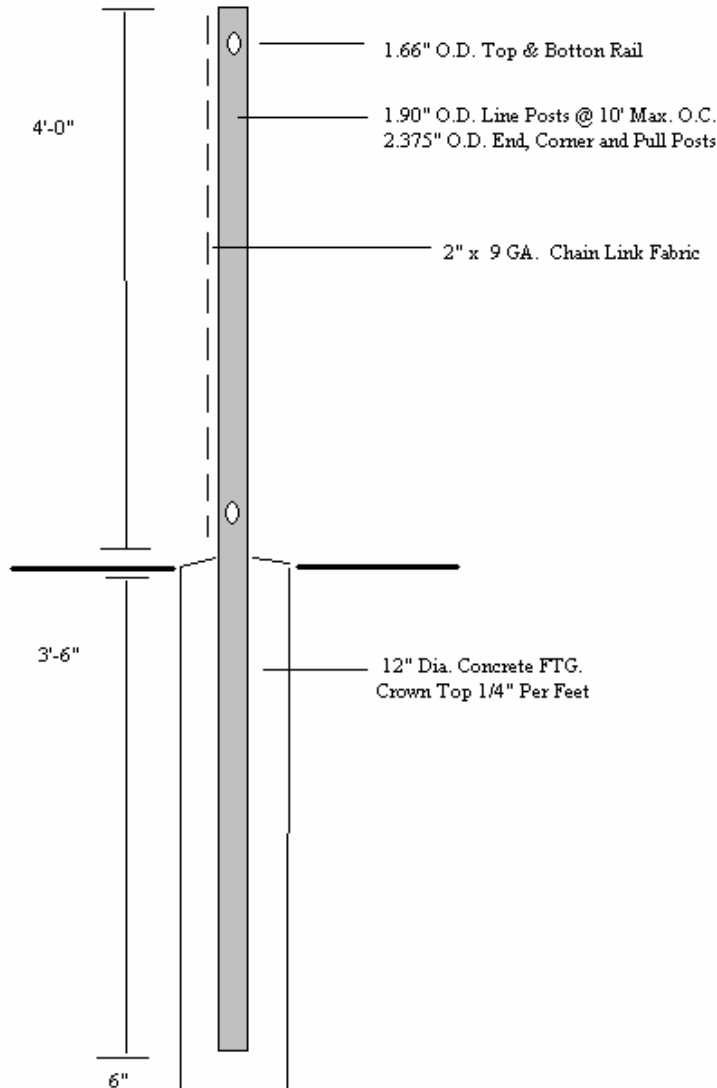
- A. It is recommended that you walk the sites to verify scope of work. During normal school hours all bidders will be required to check in with the main office at each of the sites before entering school district playground areas.
- B. Must maintain a safety zone around areas being serviced at all times.
- C. You will be required to check with the Director of Operations prior to the start of this project for approval to store or create a staging area for heavy equipment, trailers and materials.
- D. The contractor will be solely responsible and abide by all federal, state, and local laws pertaining to the safety of all employees and observers and will maintain workers compensation as required.

3.03 QUALITY ASSURANCE

- A. Work areas must be kept safe, clean and organized at all times.
- B. Contractor will be responsible for any and all damage caused during the removal and/or staging process.
- C. Hours of work will require prior approval from the Director of Operations and are based on the City of Troy local code guidelines.

General Fencing Specifications

Fabric	48" Height – 9 Gauge Galvanized Black Coated (2" mesh) Chain Link.
Rails	1.66" O.D. Top and Bottom Rails.
Posts	1.90" Line posts are to be set 10 feet apart on center, maximum spacing. 2.375" O.D. End, Corner and Pull Posts.
Black Coating	Provide recommended post gauge and O.D. to support each gate size listed.
Tie Wire	10 1/2" 9 Gauge aluminum tie wire and 6 1/2" 9 Gauge aluminum tie wire
Black Coating	spaced 15" on center for the line posts.
Fittings	Regular brace band and carriage bolt, pressed steel rail-end, pressed steel eye-top, pressed steel caps. Locking devices for gates.
Black Coating	
	Concrete footing – 12" diameter, 48" deep minimum.



TROY SCHOOL DISTRICT
BID# 9433
FENCING- LEONARD ELEMENTARY SCHOOL

Cost to Supply & Install Fencing as per above specifications \$ _____

Freight Charges \$ _____

Any Other Charges (MUST Specify) \$ _____

Company _____

Represented by _____ its _____

Address _____

Phone _____ Fax _____

Email _____



STATE OF MICHIGAN

JENNIFER M. GRANHOLM
GOVERNOR

DEPARTMENT OF LABOR & ECONOMIC GROWTH
LANSING

KEITH W. COOLEY
DIRECTOR

REQUIREMENTS OF THE PREVAILING WAGES ON STATE PROJECTS ACT, PUBLIC ACT 166 OF 1965

The Michigan Department of Labor & Economic Growth determines prevailing rates pursuant to the Prevailing Wages on State Projects Act, Public Act 166 of 1965, as amended. The purpose of establishing prevailing rates is to provide minimum rates of pay that must be paid to workers on construction projects for which the state or a school district is the contracting agent and which is financed or financially supported by the state. By law, prevailing rates are compiled from the rates contained in collectively bargained agreements which cover the locations of the state projects. The attached prevailing rates provide an hourly rate which includes wage and fringe benefit totals for designated construction mechanic classifications. The overtime rates also include wage and fringe benefit totals. Please pay special attention to the overtime and premium pay requirements. Prevailing wage is satisfied when wages plus fringe benefits paid to a worker are equal to or greater than the required rate.

State of Michigan responsibilities under the law:

- The department establishes the prevailing rate for each classification of construction mechanic requested by a contracting agent prior to contracts being let out for bid on a state project.

Contracting agent responsibilities under the law:

- If a contract is not awarded or construction does not start within 90 days of the date of the issuance of rates, a re-determination of rates must be requested by the contracting agent.
- Rates for classifications needed but not provided on the Prevailing Rate Schedule, including rates for registered apprentices, must be obtained prior to contracts being let out for bid on a state project.
- The contracting agent, by written notice to the contractor and the sureties of the contractor known to the contracting agent, may terminate the contractor's right to proceed with that part of the contract, for which less than the prevailing rates of wages and fringe benefits have been or will be paid, and may proceed to complete the contract by separate agreement with another contractor or otherwise, and the original contractor and his sureties shall be liable to the contracting agent for any excess costs occasioned thereby.

Contractor responsibilities under the law:

- Every contractor and subcontractor shall keep posted on the construction site, in a conspicuous place, a copy of all prevailing wage and fringe benefit rates prescribed in a contract.
- Every contractor and subcontractor shall keep an accurate record showing the name and occupation of and the actual wages and benefits paid to each construction mechanic employed by him in connection with said contract. This record shall be available for reasonable inspection by the contracting agent or the department.
- Each contractor or subcontractor is separately liable for the payment of the prevailing rate to its employees.
- The prime contractor is responsible for advising all subcontractors of the requirement to pay the prevailing rate prior to commencement of work.
- The prime contractor is secondarily liable for payment of prevailing rates that are not paid by a subcontractor.
- A construction mechanic shall only be paid the apprentice rate if registered with the United States Department of Labor, Bureau of Apprenticeship and Training and the rate is included in the contract.

Enforcement:

A person who has information of an alleged prevailing wage violation on a state project may file a complaint with the Wage & Hour Division. The department will investigate and attempt to resolve the complaint informally. During the course of an investigation, if the requested records and posting certification are not made available in compliance with Section 5 of Act 166, the investigation will be concluded and a referral to the Office of Prosecuting Attorney for criminal action under Section 7 and/or the Office of Attorney General for civil action will be made. The Office of Attorney General will pursue costs and fees associated with a lawsuit if filing is necessary to obtain records.

A violation of Act 166 may result in the contractor's name being added to the Prevailing Wage Act Violators List published on the division's website, updated monthly. This list includes the names and addresses of contractors and subcontractors the division has found in violation of Act 166 based on complaints from individuals and third parties. The Prevailing Wage Act Violators List is intended to inform contracting agents of contractors that have violated Act 166 for use in determining who should receive state-funded projects.

WAGE & HOUR DIVISION

P.O. BOX 30476 • LANSING, MICHIGAN 48909-7976

www.michigan.gov/wagehour • (517) 335-0400 • FAX (517) 335-0077

State of Michigan
Department of Labor and Economic Growth

Wage and Hour Division
 6546 Mercantile Way, Suite 5
 PO Box 30476
 Lansing, MI 48909-7976
 Telephone: 517-335-0400
 Fax: 517-335-0077
 www.michigan.gov/wagehour

Official Request 863
Requestor: TROY SCHOOL DISTRICT

Project Description: FENCE WORK
Project Number: LEONARD ELEMENTARY

Oakland County
Official 2007 Prevailing Wage Rates for State Funded Projects

Issue Date: 7/5/2007
Contract must be awarded by 10/3/2007

Page 1 of 20

<u>Classification</u>						
Name	Description		Straight Hourly	Time and a Half	Double Time	Overtime Provision
Asbestos & Lead Abatement Laborer						
Asbestos & Lead Abatement Laborer	MLDC		\$31.30	\$41.83	\$52.35	H H H X X X X D Y
Asbestos & Lead Abatement, Hazardous Material Handler						
Asbestos and Lead Abatement, Hazardous Material Handler	AS207		\$31.30	\$43.13	\$54.95	X X X X X X X D Y
Boilermaker						
Boilermaker	BO169		\$48.71	\$68.13	\$87.54	H H D H D D D D Y
Apprentice Rates:						
	1st 6 months		\$37.07	\$50.67	\$64.26	
	2nd 6 months		\$38.03	\$52.10	\$66.18	
	3rd 6 months		\$39.00	\$53.56	\$68.12	
	4th 6 months		\$39.97	\$55.02	\$70.06	
	5th 6 months		\$40.58	\$56.11	\$71.64	
	6th 6 months		\$42.88	\$59.38	\$75.88	
	7th 6 months		\$44.83	\$62.31	\$79.78	
	8th 6 months		\$46.77	\$65.21	\$83.66	
Bricklayer						
Bricklayer, stone mason, pointer, cleaner, caulker	BR1		\$47.76	\$71.64	\$95.52	H H D H D D D D N
Apprentice Rates:						
	First 6 months		\$30.33	\$45.50	\$60.66	
	2nd 6 months		\$32.21	\$48.32	\$64.42	
	3rd 6 months		\$34.10	\$51.15	\$68.20	
	4th 6 months		\$35.98	\$53.97	\$71.96	
	5th 6 months		\$37.86	\$56.79	\$75.72	
	6th 6 months		\$39.73	\$59.60	\$79.46	

Official Request #: 863
 Requestor: TROY SCHOOL DISTRICT
 Project Description: FENCE WORK
 Project Number: LEONARD ELEMENTARY
 County: Oakland

Official Rate Schedule

Every contractor and subcontractor shall keep posted on the construction site, in a conspicuous place, a copy of all prevailing wage and fringe benefit rates prescribed in a contract.

Official 2007 Prevailing Wage Rates for State Funded Projects

Issue Date: 7/5/2007

Contract must be awarded by 10/3/2007

Page 2 of 20

Classification	Name	Description	Straight Hourly	Time and a Half	Double Time	Overtime Provision
----------------	------	-------------	--------------------	--------------------	----------------	--------------------

Carpenter

Carpet and Resilient Floor Layer, (does not include installation of prefabricated formica & parquet flooring which is to be paid carpenter rate)	CA1045	\$40.22	\$56.42	\$72.61	H H H H D D D D N
--------------------------------------------------------------------------------------------------------------------------------------------------	--------	---------	---------	---------	-------------------

Apprentice Rates:

1st 6 months	\$20.93	\$25.25	\$31.05
2nd 6 months	\$24.02	\$31.26	\$39.07
3rd 6 months	\$25.64	\$33.59	\$42.17
4th 6 months	\$27.26	\$35.95	\$45.33
5th 6 months	\$28.87	\$38.28	\$48.43
6th 6 months	\$30.50	\$40.64	\$51.57
7th 6 months	\$32.11	\$42.96	\$54.67
8th 6 months	\$33.73	\$45.30	\$57.79

Carpenter, piledriver	CA687Z1	\$44.37	\$62.97	\$81.56	H H D H D D D D Y
-----------------------	---------	---------	---------	---------	-------------------

Apprentice Rates:

1st Year	\$27.63	\$37.85	\$48.08
3rd 6 months	\$29.49	\$40.65	\$51.80
4th 6 months	\$31.34	\$43.42	\$55.50
5th 6 months	\$33.21	\$46.23	\$59.24
6th 6 months	\$35.08	\$49.03	\$62.98
7th 6 months	\$36.92	\$51.79	\$66.66
8th 6 months	\$38.80	\$54.61	\$70.42

Cement Mason

Cement Mason	CE514	\$42.63	\$60.13	\$77.63	H H D H H H H D N
--------------	-------	---------	---------	---------	-------------------

Apprentice Rates:

1st 6 months	\$24.90	\$33.67	\$42.43
2nd 6 months	\$26.65	\$36.28	\$45.92
3rd 6 months	\$30.15	\$41.55	\$52.93
4th 6 months	\$33.66	\$46.80	\$59.94
5th 6 months	\$35.40	\$49.43	\$63.44
6th 6 months	\$38.92	\$54.70	\$70.47

Drywall

Drywall Taper	PT-22-D	\$38.45	\$50.90	\$63.35	H H D H D D D D N
---------------	---------	---------	---------	---------	-------------------

Apprentice Rates:

First 3 months	\$26.00	\$32.23	\$38.45
Second 3 months	\$28.49	\$35.96	\$43.43
Second 6 months	\$30.98	\$39.69	\$48.41
Third 6 months	\$33.47	\$43.43	\$53.39
4th 6 months	\$34.71	\$45.29	\$55.87

Official Request #: 863
 Requestor: TROY SCHOOL DISTRICT
 Project Description: FENCE WORK
 Project Number: LEONARD ELEMENTARY
 County: Oakland

Official Rate Schedule

Every contractor and subcontractor shall keep posted on the construction site, in a conspicuous place, a copy of all prevailing wage and fringe benefit rates prescribed in a contract.

Official 2007 Prevailing Wage Rates for State Funded Projects

Issue Date: 7/5/2007

Contract must be awarded by 10/3/2007

Page 3 of 20

Classification Name Description		Straight Hourly	Time and a Half	Double Time	Overtime Provision
Electrician					
Inside Wireman	EC-58-IW	\$46.88	\$64.00	\$81.13	H H H H H H H D N
	Apprentice Rates:				
	0-1000 hours	\$26.33	\$33.18	\$40.03	
	1000-2000 hours	\$28.04	\$35.75	\$43.45	
	2000-3500 hours	\$29.75	\$38.31	\$46.87	
	3500-5000 hours	\$31.47	\$40.90	\$50.31	
	5000-6500 hours	\$34.89	\$46.03	\$57.15	
	6500-8000 hours	\$38.32	\$51.17	\$64.01	
Sound and Communication Installer/Technician	EC-58-SC	\$29.33	\$41.30	\$53.26	H H H H H H H D N
	Apprentice Rates:				
	Period 1	\$17.16	\$23.04	\$28.93	
	Period 2	\$18.38	\$24.88	\$31.37	
	Period 3	\$19.59	\$26.69	\$33.79	
	Period 4	\$20.81	\$28.53	\$36.23	
	Period 5	\$22.02	\$30.33	\$38.65	
	Period 6	\$23.24	\$32.17	\$41.09	
Elevator Constructor					
Elevator Constructor	EL 36	\$47.71		\$81.45	D D D D D D D D Y
Elevator Constructor					
	Apprentice Rates:				
	1st Year Apprentice	\$31.14		\$49.70	
	2nd Year Apprentice	\$34.82		\$56.75	
	3rd Year Apprentice	\$36.66		\$60.28	
	4th Year Apprentice	\$40.34		\$67.33	
Glazier					
Glazier	GL-357	\$41.56	\$55.41		H H H H H H H H Y
	Apprentice Rates:				
	1st 6 months	\$28.36	\$35.29		
	2nd 6 months	\$29.82	\$37.44		
	3rd 6 months	\$32.72	\$41.72		
	4th 6 months	\$34.18	\$43.87		
	5th 6 months	\$35.64	\$46.03		
	6th 6 months	\$37.09	\$48.17		
	7th 6 months	\$38.54	\$50.31		
	8th 6 months	\$41.46	\$54.62		
Heat and Frost Insulator					
Spray Insulation	AS25S	\$20.14	\$29.14		H H H H H H H H N

Official Request #: 863
 Requestor: TROY SCHOOL DISTRICT
 Project Description: FENCE WORK
 Project Number: LEONARD ELEMENTARY
 County: 1

Official Rate Schedule

Every contractor and subcontractor shall keep posted on the construction site, in a conspicuous place, a copy of all prevailing wage and fringe benefit rates prescribed in a contract.

Official 2007 Prevailing Wage Rates for State Funded Projects

Issue Date: 7/5/2007

Contract must be awarded by 10/3/2007

Page 4 of 20

Classification Name Description		Straight Hourly	Time and a Half	Double Time	Overtime Provision
Heat and Frost Insulator and Asbestos Worker					
Heat and Frost Insulators and Asbestos Workers	AS25	\$48.20	\$62.86	\$77.52	H H H H H H H D Y
Apprentice Rates:					
	1st Year	\$29.59	\$37.66	\$45.72	
	2nd Year	\$37.60	\$47.13	\$56.66	
	3rd Year	\$39.40	\$49.66	\$59.92	
	4th Year	\$42.34	\$54.07	\$65.80	
 Ironworker					
Fence Erecting	IR-25-F	\$39.87	\$59.58	\$79.29	H H D H H H D D Y
Glazing	IR-25-GZ1	\$48.48	\$72.64	\$96.65	H H D H H H D D Y
Mesh Iron Work	IR-25-MR	\$42.25	\$60.43	\$78.60	H H D H D D D D N
Pre-engineered Metal Work	IR-25-PE-Z1-Z2	\$39.88	\$50.38	\$60.88	H H H X X X X D Y
Apprentice Rates:					
	1st level	\$22.79	\$27.88	\$32.97	
	2nd level	\$24.01	\$29.61	\$35.21	
	3rd level	\$25.25	\$31.36	\$37.47	
	4th level	\$26.47	\$33.08	\$39.70	
	5th level	\$27.70	\$34.83	\$41.95	
	6th level	\$28.93	\$36.56	\$44.20	
Reinforced Iron Work	IR-25-RF	\$47.46	\$68.09	\$88.71	H H D H D D D D N
Rigging Work	IR-25-RIG	\$52.48	\$78.56	\$104.64	H H H H H H H D N
Siding & Decking	IR-25-SD	\$45.10	\$67.43	\$89.75	H H D H H H D D Y
Structural, ornamental, conveyor, welder and pre-cast Apprentice rates apply to structural, conveyer, fence, glazing, reinforced, rigging, & siding decking	IR-25-STR	\$52.61	\$78.69	\$104.77	H H D H H H D D Y
Apprentice Rates:					
	Level 1	\$26.51	\$39.54	\$52.57	
	Level 2	\$29.12	\$43.46	\$57.79	
	Level 3	\$31.73	\$47.37	\$63.01	
	Level 4	\$34.34	\$51.29	\$68.23	
	Level 5	\$36.94	\$55.19	\$73.43	
	Level 6	\$39.57	\$59.13	\$78.69	
	Level 7	\$42.16	\$63.02	\$83.87	
	Level 8	\$44.78	\$66.95	\$89.11	

Official Request #: 863
 Requestor: TROY SCHOOL DISTRICT
 Project Description: FENCE WORK

 Project Number: LEONARD ELEMENTARY
 County: Oakland

Official Rate Schedule

Every contractor and subcontractor shall keep posted on the construction site, in a conspicuous place, a copy of all prevailing wage and fringe benefit rates prescribed in a contract.

Official 2007 Prevailing Wage Rates for State Funded Projects

Issue Date: 7/5/2007

Contract must be awarded by 10/3/2007

Page 5 of 20

<u>Classification</u>						
Name	Description		Straight Hourly	Time and a Half	Double Time	Overtime Provision
=====						
Industrial Door erection & construction	IR-25-STR-D		\$34.69	\$46.09	\$57.48	H H D H H D D Y
Laborer						
Construction Laborer, Mason Tender, Carpenter Tender, Drywall Handler, Cement Finisher tender, concrete chute and concrete Bucket Handler, Concrete Laborer, Demolition Laborer	L1076-A-A		\$37.62	\$53.35	\$69.07	H H D H D D D D Y
Apprentice Rates:						
	0-1,000 work hours		\$31.98	\$44.89	\$57.79	
	1,001-2,000 work hours		\$33.11	\$46.58	\$60.05	
	2,001-3,000 work hours		\$34.24	\$48.28	\$62.31	
	3,001-4,000 work hours		\$36.49	\$51.66	\$66.81	
Signal man (on sewer & caisson work); air,electric or gasoline tool operator (including concrete vibrator operator,acetylene torch & air hammer operator); scaffold builder, caisson worker	L1076-A-B		\$37.88	\$53.74	\$69.59	H H D H D D D D Y
Lansing Burner, Blaster & Powder Man	L1076-A-C		\$38.37	\$54.47	\$70.57	H H D H D D D D Y
Furnance battery heater tender, burning bar & oxy- acetylene gun, expediter man, top man and/or bottom man (blast furnace work)	L1076-A-D		\$38.12	\$54.10	\$70.07	H H D H D D D D Y
Cleaner/ sweeper laborer, furniture laborer	L1076-A-E		\$32.17	\$45.17	\$58.17	H H D H D D D D Y
Demolition Laborer	L1076-D		\$37.62	\$53.35	\$69.07	H H D H D D D D Y
Plasterer Tender, Plastering Machine Operator	LPT-1		\$39.00	\$55.42	\$71.83	H H D H D D D D N
Apprentice Rates:						
	0 - 1,000 hours		\$31.99	\$44.90	\$57.81	
	1,001 - 2,000 hours		\$33.11	\$46.58	\$60.05	
	2,001 - 3,000 hours		\$34.24	\$48.28	\$62.31	
	3,001 - 4,000 hours		\$36.49	\$51.66	\$66.81	

Official Request #: 863
 Requestor: TROY SCHOOL DISTRICT
 Project Description: FENCE WORK
 Project Number: LEONARD ELEMENTARY
 County: Oakland

Official Rate Schedule

Every contractor and subcontractor shall keep posted on the construction site, in a conspicuous place, a copy of all prevailing wage and fringe benefit rates prescribed in a contract.

Official 2007 Prevailing Wage Rates for State Funded Projects

Issue Date: 7/5/2007

Contract must be awarded by 10/3/2007

Page 6 of 20

Classification Name	Description	Straight Hourly	Time and a Half	Double Time	Overtime Provision
Laborer - Hazardous					
Class A Laborer - performing work in conjunction with site preparation and other preliminary work prior to actual removal, handling, or containment of hazardous waste substances not requiring use of personal protective equipment required by state or federal regulations; or a laborer performing work in conjunction with the removal, handling, or containment of hazardous waste substances when used of personal protective equipment level "D" is required.	LHAZ-Z2-A	\$36.48	\$51.89	\$67.29	H H H H H H H D Y
Apprentice Rates:					
	0-1,000 work hours	\$30.91	\$43.53	\$56.15	
	1,001-2,000 work hours	\$32.02	\$45.20	\$58.37	
	2,001-3,000 work hours	\$33.14	\$46.88	\$60.61	
	3,001-4,000 work hours	\$35.37	\$50.23	\$65.07	
Class B Laborer - performing work in conjunction with the removal, handling, or containment of hazardous waste substances when the use of personal protective equipment levels "A", "B" or "C" is required.	LHAZ-Z2-B	\$37.48	\$53.39	\$69.29	H H H H H H H D Y
Apprentice Rates:					
	0-1,000 work hours	\$31.66	\$44.66	\$57.65	
	1,001-2,000 work hours	\$32.82	\$46.40	\$59.97	
	2,001-3,000 work hours	\$33.99	\$48.15	\$62.31	
	3,001-4,000 work hours	\$36.32	\$51.65	\$66.97	
Laborer Underground - Tunnel, Shaft & Caisson					
Class I - Tunnel, shaft and caisson laborer, dump man, shanty man, hog house tender, testing man (on gas), and watchman.	LAUCT-Z1-1	\$32.54	\$43.21	\$53.88	H H H H H H H D Y
Apprentice Rates:					
	0-1,000 work hours	\$27.70	\$35.95	\$44.20	
	1,001-2,000 work hours	\$28.67	\$37.40	\$46.14	
	2,001-3,000 work hours	\$29.64	\$38.86	\$48.08	
	3,001-4,000 work hours	\$31.57	\$41.76	\$51.94	
Class II - Manhole, headwall, catch basin builder, bricklayer tender, mortar man, material mixer, fence erector, and guard rail builder.	LAUCT-Z1-2	\$32.65	\$43.38	\$54.10	H H H H H H H D Y
Apprentice Rates:					
	0-1,000 work hours	\$27.79	\$36.08	\$44.38	
	1,001-2,000 work hours	\$28.76	\$37.54	\$46.32	
	2,001-3,000 work hours	\$29.73	\$39.00	\$48.26	
	3,001-4,000 work hours	\$31.68	\$41.92	\$52.16	

Official Request #: 863
 Requestor: TROY SCHOOL DISTRICT
 Project Description: FENCE WORK
 Project Number: LEONARD ELEMENTARY
 County: Oakland

Official Rate Schedule

Every contractor and subcontractor shall keep posted on the construction site, in a conspicuous place, a copy of all prevailing wage and fringe benefit rates prescribed in a contract.

Official 2007 Prevailing Wage Rates for State Funded Projects

Issue Date: 7/5/2007

Contract must be awarded by 10/3/2007

Page 7 of 20

Classification						
Name	Description		Straight Hourly	Time and a Half	Double Time	Overtime Provision
=====						
Class III - Air tool operator (jack hammer man, bush hammer man and grinding man), first bottom man, second bottom man, cage tender, car pusher, carrier man, concrete man, concrete form man, concrete repair man, cement invert laborer, cement finisher, concrete shoveler, conveyor man, floor man, gasoline and electric tool operator, gunnite man, grout operator, welder, heading dinky man, inside lock tender, pea gravel operator, pump man, outside lock tender, scaffold man, top signal man, switch man, track man, tugger man, utility man, vibrator man, winch operator, pipe jacking man, wagon drill and air track operator and concrete saw operator (under 40 h.p.).	LAUCT-Z1-3		\$32.71	\$43.47	\$54.22	H H H H H H D Y
Apprentice Rates:						
			0-1,000 work hours	\$27.83	\$36.14	\$44.46
			1,001-2,000 work hours	\$28.81	\$37.62	\$46.42
			2,001-3,000 work hours	\$29.78	\$39.07	\$48.36
			3,001-4,000 work hours	\$31.73	\$42.00	\$52.26
Class IV - Tunnel, shaft and caisson mucker, bracer man, liner plate man, long haul dinky driver and well point man.	LAUCT-Z1-4		\$32.89	\$43.74	\$54.58	H H H H H H D Y
Apprentice Rates:						
			0-1,000 work hours	\$27.97	\$36.36	\$44.74
			1,001-2,000 work hours	\$28.95	\$37.82	\$46.70
			2,001-3,000 work hours	\$29.94	\$39.31	\$48.68
			3,001-4,000 work hours	\$31.91	\$42.26	\$52.62
Class V - Tunnel, shaft and caisson miner, drill runner, keyboard operator, power knife operator, reinforced steel or mesh man (e.g. wire mesh, steel mats, dowel bars)	LAUCT-Z1-5		\$33.14	\$44.11	\$55.08	H H H H H H D Y
Apprentice Rates:						
			0-1,000 work hours	\$28.16	\$36.64	\$45.12
			1,001-2,000 work hours	\$29.15	\$38.12	\$47.10
			2,001-3,000 work hours	\$30.15	\$39.62	\$49.10
			3,001-4,000 work hours	\$32.14	\$42.61	\$53.08
Class VI - Dynamite man and powder man.	LAUCT-Z1-6		\$33.47	\$44.61	\$55.74	H H H H H H D Y
Apprentice Rates:						
			0-1,000 work hours	\$28.40	\$37.00	\$45.60
			1,001-2,000 work hours	\$29.42	\$38.53	\$47.64
			2,001-3,000 work hours	\$30.43	\$40.04	\$49.66
			3,001-4,000 work hours	\$32.46	\$43.09	\$53.72

Official Request #: 863
 Requestor: TROY SCHOOL DISTRICT
 Project Description: FENCE WORK
 Project Number: LEONARD ELEMENTARY
 County: Oakland

Official Rate Schedule

Every contractor and subcontractor shall keep posted on the construction site, in a conspicuous place, a copy of all prevailing wage and fringe benefit rates prescribed in a contract.

Official 2007 Prevailing Wage Rates for State Funded Projects

Issue Date: 7/5/2007

Contract must be awarded by 10/3/2007

Page 8 of 20

Classification					
Name	Description	Straight Hourly	Time and a Half	Double Time	Overtime Provision
=====					
Class VII - Restoration laborer, seeding, sodding, planting, cutting, mulching and topsoil grading and the restoration of property such as replacing mail boxes, wood chips, planter boxes and flagstones.	LAUCT-Z1-7	\$26.75	\$34.53	\$42.30	H H H H H H D Y
Apprentice Rates:					
	0-1,000 work hours	\$23.36	\$29.44	\$35.52	
	1,001-2,000 work hours	\$24.04	\$30.46	\$36.88	
	2,001-3,000 work hours	\$24.72	\$31.48	\$38.24	
	3,001-4,000 work hours	\$26.07	\$33.50	\$40.94	
Landscape Laborer					
Landscape Specialist includes air, gas, and diesel equipment operator, lawn sprinkler installer on landscaping work where seeding, sodding, planting, cutting, trimming, backfilling, rough grading or maintenance of landscape	LLAN-Z1-A	\$24.38	\$33.81	\$43.24	X X H X X X H D Y
All work pertaining to landscaping where seeding, sodding, planting, cutting, trimming, backfilling, rough grading or maintaining of landscape projects occurs which may include small power tool operator, lawn sprinkler installer helper, material mover, & truck driver.	LLAN-Z1-B	\$20.16	\$27.48	\$34.80	X X H X X X H D Y
Marble Finisher					
Marble Finisher	TT32-MF	\$38.37	\$48.46	\$58.54	H H D H D D D D N
Apprentice Rates:					
	Level 1	\$18.73	\$24.22	\$29.71	
	Level 2	\$19.79	\$25.81	\$31.83	
	Level 3	\$23.93	\$30.38	\$36.83	
	Level 4	\$25.23	\$32.33	\$39.43	
	Level 5	\$26.56	\$33.85	\$41.14	
	Level 6	\$27.99	\$35.64	\$43.28	
	Level 7	\$29.48	\$37.17	\$44.85	
	Level 8	\$30.80	\$38.73	\$46.65	
Marble Mason					
Marble Mason	TT32-MM	\$44.26	\$57.29	\$70.32	H H D H D D D D N
Apprentice Rates:					
	Level 1	\$24.21	\$31.14	\$38.06	
	Level 2	\$26.93	\$34.56	\$42.20	
	Level 3	\$29.70	\$37.59	\$45.48	
	Level 4	\$32.10	\$40.83	\$49.56	
	Level 5	\$34.18	\$43.17	\$52.16	
	Level 6	\$37.52	\$48.11	\$58.71	
	Level 7	\$38.55	\$49.53	\$60.51	
	Level 8	\$39.18	\$50.47	\$61.77	

Official Request #: 863
 Requestor: TROY SCHOOL DISTRICT
 Project Description: FENCE WORK
 Project Number: LEONARD ELEMENTARY
 County: Oakland

Official Rate Schedule

Every contractor and subcontractor shall keep posted on the construction site, in a conspicuous place, a copy of all prevailing wage and fringe benefit rates prescribed in a contract.

Official 2007 Prevailing Wage Rates for State Funded Projects

Issue Date: 7/5/2007

Contract must be awarded by 10/3/2007

Page 9 of 20

Classification Name Description	Straight Hourly	Time and a Half	Double Time	Overtime Provision
Operating Engineer				
Crane with boom & jib or leads 120' or longer	EN-324-A120	\$49.26	\$65.97	\$82.68 H H D H D D D D Y
Crane with boom & jib or leads 140' or longer	EN-324-A140	\$50.08	\$67.20	\$84.32 H H D H D D D D Y
Crane with boom & jib or leads 220' or longer	EN-324-A220	\$50.38	\$67.65	\$84.92 H H D H D D D D Y
Crane with boom & jib or leads 300' or longer	EN-324-A300	\$51.88	\$69.90	\$87.92 H H D H D D D D Y
Crane with boom & jib or leads 400' or longer	EN-324-A400	\$53.38	\$72.15	\$90.92 H H D H D D D D Y
Compressor or welding machine	EN-324-CW	\$38.41	\$49.70	\$60.98 H H D H D D D D Y
Forklift, lull, extend-a-boom forklift	EN-324-FL	\$45.72	\$60.66	\$75.60 H H D H D D D D Y
Fireman or oiler	EN-324-FO	\$37.38	\$48.15	\$58.92 H H D H D D D D Y
Regular crane, job mechanic, concrete pump	EN-324-RC	\$48.40	\$64.68	\$80.96 H H D H D D D D Y
Regular engineer, hydro-excavator, remote controlled concrete breaker	EN-324-RE	\$47.43	\$63.23	\$79.02 H H D H D D D D Y

Apprentice Rates:

Period 1	\$37.85	\$48.90	\$59.96
Period 2	\$39.43	\$51.28	\$63.12
Period 3	\$41.02	\$53.66	\$66.30
Period 4	\$42.59	\$56.01	\$69.44
Period 5	\$44.17	\$58.39	\$72.60
Period 6	\$45.76	\$60.77	\$75.78

Operating Engineer - Marine Construction

Diver/Wet Tender, Engineer (hydraulic dredge)	GLF-1	\$49.29	\$64.74	\$80.19 X X H H H H H D Y
-----------------------------------------------	-------	---------	---------	---------------------------

Holidays paid at \$95.64 per hour

Subdivision of county all Great Lakes, islands therein, & connecting & tributary waters

Crane/Backhoe Operator, Mechanic/Welder, Assistant Engineer (hydraulic dredge), Leverman (hydraulic dredge), Diver Tender	GLF-2	\$47.79	\$62.49	\$77.19 X X H H H H H D Y
---------------------------------------------------------------------------------------------------------------------------	-------	---------	---------	---------------------------

Holidays paid \$91.89 per hour

Subdivision of county All Great Lakes, islands therein, & connecting & tributary waters

Official Request #: 863
 Requestor: TROY SCHOOL DISTRICT
 Project Description: FENCE WORK
 Project Number: LEONARD ELEMENTARY
 County: 1

Official Rate Schedule

Every contractor and subcontractor shall keep posted on the construction site, in a conspicuous place, a copy of all prevailing wage and fringe benefit rates prescribed in a contract.

Official 2007 Prevailing Wage Rates for State Funded Projects

Issue Date: 7/5/2007

Contract must be awarded by 10/3/2007

Page 10 of 20

Classification Name Description		Straight Hourly	Time and a Half	Double Time	Overtime Provision
Deck Equipment Operator, Machineryman, Maintenance of Crane (over 50 ton capacity) or Backhoe (115,000 lbs. or more), Tug/Launch Operator, Loader, Dozer and like equipment on Barge, Breakwater Wall, Slip/Doc or Scow, Deck Machinery	GLF-3	\$44.59	\$57.69	\$70.79	X X H H H H H D Y
Holidays paid at \$83.89 per hour					
<u>Subdivision of county</u> All Great Lakes, islands therein, & connecting & tributary waters					
Deck Equipment Operator, (Machineryman/Fireman), (4 equipment units or more), Deck Hand, Deck Engineer, & Crane Maintenance 50 ton capacity and under or Backhoe weighing 115,000 lbs or less, Assistant Tug Operator	GLF-4	\$40.19	\$51.09	\$61.99	X X H H H H H D Y
Holidays paid at \$72.89 per hour					
<u>Subdivision of county</u> All Great Lakes, islands therein, & connecting & tributary waters					
Operating Engineer Hazardous Waste Class I					
Level A - Fully encapsulating chemical resistant suit w/ pressure demand, full face piece SCBA or pressure demand supplied air respirator w/ escape SCBA. The highest available level of respiratory, skin and eye protection.	EN-324-HWCI-Z1A	\$46.22	\$61.89	\$77.55	H H H H H H H D Y
Apprentice Rates:					
	1st 6 months	\$36.62	\$47.58	\$58.55	
	2nd 6 months	\$38.18	\$49.92	\$61.67	
	3rd 6 months	\$39.75	\$52.28	\$64.81	
	4th 6 months	\$41.31	\$54.62	\$67.93	
	5th 6 months	\$42.89	\$56.99	\$71.09	
	6th 6 months	\$44.45	\$59.33	\$74.21	
Level B & C protection. B - Pressure demand, full face SCBA or pressure demand supplied air respirator w/ escape SCBA w/chemical resistant clothing. C - Full face piece, air purifying canister-equipped respirator w/chemical resistant clothing.	EN-324-HWCI-Z1B	\$45.27	\$60.46	\$75.65	H H H H H H H D Y
Apprentice Rates:					
	1st 6 months	\$35.95	\$46.59	\$57.21	
	2nd 6 months	\$37.48	\$48.88	\$60.27	
	3rd 6 months	\$39.00	\$51.16	\$63.31	
	4th 6 months	\$40.52	\$53.44	\$66.35	
	5th 6 months	\$42.04	\$55.72	\$69.39	
	6th 6 months	\$43.56	\$58.00	\$72.43	

Official Request #: 863
 Requestor: TROY SCHOOL DISTRICT
 Project Description: FENCE WORK
 Project Number: LEONARD ELEMENTARY
 County: Oakland

Official Rate Schedule

Every contractor and subcontractor shall keep posted on the construction site, in a conspicuous place, a copy of all prevailing wage and fringe benefit rates prescribed in a contract.

Official 2007 Prevailing Wage Rates for State Funded Projects

Issue Date: 7/5/2007

Contract must be awarded by 10/3/2007

Page 11 of 20

Classification Name Description		Straight Hourly	Time and a Half	Double Time	Overtime Provision
Level D - Coveralls, safety boots, glasses or chemical splash goggles and hard hats.	EN-324-HWCI-Z1D	\$43.97	\$58.51	\$73.05	H H H H H H D Y
Apprentice Rates:					
	1st 6 months	\$35.05	\$45.23	\$55.41	
	2nd 6 months	\$36.51	\$47.43	\$58.33	
	3rd 6 months	\$37.95	\$49.58	\$61.21	
	4th 6 months	\$39.42	\$51.79	\$64.15	
	5th 6 months	\$40.86	\$53.95	\$67.03	
	6th 6 months	\$42.32	\$56.13	\$69.95	
Level D When Capping Landfill Coveralls, safety boots, glasses or chemical splash goggles and hard hats.	EN-324-HWCI-Z1DCL	\$43.72	\$58.14	\$72.55	H H H H H H D Y
Apprentice Rates:					
	1st 6 months	\$34.87	\$44.96	\$55.05	
	2nd 6 months	\$36.31	\$47.12	\$57.93	
	3rd 6 months	\$37.76	\$49.30	\$60.83	
	4th 6 months	\$39.20	\$51.45	\$63.71	
	5th 6 months	\$40.63	\$53.60	\$66.57	
	6th 6 months	\$42.08	\$55.78	\$69.47	
Operating Engineer Hazardous Waste Class II					
Level A - Fully encapsulating chemical resistant suit w/ pressure demand, full face piece SCBA or pressure demand supplied air respirator w/ escape SCBA. The highest available level of respiratory, skin and eye protection.	EN-324-HWCII-Z1A	\$41.99	\$55.54	\$69.09	H H H H H H D Y
Level B & C protection. B - Pressure demand, full face SCBA or pressure demand supplied air respirator w/ escape SCBA w/chemical resistant clothing. C - Full face piece, air purifying canister-equipped respirator w/chemical resistant clothing.	EN-324-HWCII-Z1B	\$41.04	\$54.12	\$67.19	H H H H H H D Y
Level D - Coveralls, safety boots, glasses or chemical splash goggles and hard hats.	EN-324-HWCII-Z1D	\$39.74	\$52.17	\$64.59	H H H H H H D Y
Level D When Capping Landfill Coveralls, safety boots, glasses or chemical splash goggles and hard hats.	EN-324-HWCII-Z1DCL	\$39.49	\$51.79	\$64.09	H H H H H H D Y
Operating Engineer Hazardous Waste Crane w/ Boom & Jib leads 140' or longer					
Level A - Fully encapsulating chemical resistant suit w/ pressure demand, full face piece SCBA or pressure demand supplied air respirator w/ escape SCBA. The highest available level of respiratory, skin and eye protection.	EN-324-HW140-Z1A	\$48.87	\$65.86	\$82.85	H H H H H H D Y

Official Request #: 863
 Requestor: TROY SCHOOL DISTRICT
 Project Description: FENCE WORK
 Project Number: LEONARD ELEMENTARY
 County: Oakland

Official Rate Schedule

Every contractor and subcontractor shall keep posted on the construction site, in a conspicuous place, a copy of all prevailing wage and fringe benefit rates prescribed in a contract.

Official 2007 Prevailing Wage Rates for State Funded Projects

Issue Date: 7/5/2007

Contract must be awarded by 10/3/2007

Page 12 of 20

Classification Name Description		Straight Hourly	Time and a Half	Double Time	Overtime Provision
Level B & C protection. B - Pressure demand, full face SCBA or pressure demand supplied air respirator w/ escape SCBA w/chemical resistant clothing. C - Full face piece, air purifying canister-equipped respirator w/chemical resistant clothing.	EN-324-HW140-Z1B	\$47.92	\$64.44	\$80.95	H H H H H H H D Y
Level D Coveralls, safety boots, glasses or chemical splash goggles and hard hats.	EN-324-HW140-Z1D	\$46.62	\$62.49	\$78.35	H H H H H H H D Y
Level D When Capping Landfill Coveralls, safety boots, glasses or chemical splash goggles and hard hats.	EN-324-HW140-Z1DCL	\$46.37	\$62.11	\$77.85	H H H H H H H D Y
Operating Engineer Hazardous Waste Crane w/ Boom & Jib leads 220' or longer					
Level A - Fully encapsulating chemical resistant suit w/ pressure demand, full face piece SCBA or pressure demand supplied air respirator w/ escape SCBA. The highest available level of respiratory, skin and eye protection.	EN-324-HW220-Z1A	\$49.17	\$66.31	\$83.45	H H H H H H H D Y
Level B & C protection. B - Pressure demand, full face SCBA or pressure demand supplied air respirator w/ escape SCBA w/chemical resistant clothing. C - Full face piece, air purifying canister-equipped respirator w/chemical resistant clothing.	EN-324-HW220-Z1B	\$48.22	\$64.89	\$81.55	H H H H H H H D Y
Level D Coveralls, safety boots, glasses or chemical splash goggles and hard hats.	EN-324-HW220-Z1D	\$46.92	\$62.94	\$78.95	H H H H H H H D Y
Level D When Capping Landfill Coveralls, safety boots, glasses or chemical splash goggles and hard hats.	EN-324-HW220-Z1DCL	\$46.67	\$62.56	\$78.45	H H H H H H H D Y
Operating Engineer Hazardous Waste Regular Crane, Job Mechanic, Dragline Operator, Boom Truck Operator, and Concrete Pump with Boom Operator					
Level D - Coveralls, safety boots, glasses or chemical splash goggles and hard hats.	EN-324-HWRC-Z1D	\$44.94	\$59.97	\$74.99	H H H H H H H D Y
Operating Engineer Hazardous Waste Regular Crane, Job Mechanic, Dragline Operator, Boom Truck Operator, Power Shovel Operator and Concrete Pump with boom					
Level D When Capping Landfill Coveralls, safety boots, glasses or chemical splash goggles and hard hats.	EN-324-HWRC-Z1DCL	\$44.07	\$58.66	\$73.25	H H H H H H H D Y

Official Request #: 863
 Requestor: TROY SCHOOL DISTRICT
 Project Description: FENCE WORK
 Project Number: LEONARD ELEMENTARY
 County: Oakland

Official Rate Schedule

Every contractor and subcontractor shall keep posted on the construction site, in a conspicuous place, a copy of all prevailing wage and fringe benefit rates prescribed in a contract.

Official 2007 Prevailing Wage Rates for State Funded Projects

Issue Date: 7/5/2007

Contract must be awarded by 10/3/2007

Page 13 of 20

Classification			Straight	Time and	Double		
Name	Description		Hourly	a Half	Time	Overtime Provision	
Operating Engineer Hazardous Waste Regular Crane, Job Mechanic, Dragline Operator, Boom Truck Operator, Power Shovel Operator and Concrete Pump with booms							
	Level B & C protection. B - Pressure demand, full face SCBA or pressure demand supplied air respirator w/ escape SCBA w/chemical resistant clothing. C - Full face piece, air purifying canister-equipped respirator w/chemical resistant clothing.	EN-324-HWRC-Z1B	\$46.24	\$61.92	\$77.59	H H H H H H H D	Y
Operating Engineer Hazardous Waste Regular Crane, Job Mechanic, Dragline Operator, Boom Truck Operator, Power Shovel Operators and Concrete Pump with booms							
	Level A - Fully encapsulating chemical resistant suit w/ pressure demand, full face piece SCBA or pressure demand supplied air respirator w/ escape SCBA. The highest available level of respiratory, skin and eye protection.	EN-324-HWRC-Z1A	\$47.19	\$63.34	\$79.49	H H H H H H H D	Y
Operating Engineer Steel Work							
	Crane w/ 120' boom or longer	EN-324-SW120	\$51.51	\$69.80	\$88.08	H H D H H H D D	Y
	Crane w/ 120' boom or longer w/ Oiler	EN-324-SW120-O	\$52.51	\$71.30	\$90.08	H H D H H H D D	Y
	Crane w/ 140' boom or longer	EN-324-SW140	\$52.69	\$71.57	\$90.44	H H D H H H D D	Y
	Crane w/ 140' boom or longer W/ Oiler	EN-324-SW140-O	\$53.69	\$73.07	\$92.44	H H D H H H D D	Y
	Boom & Jib 220' or longer	EN-324-SW220	\$52.96	\$71.97	\$90.98	H H D H H H D D	Y
	Crane w/ 220' boom or longer w/ Oiler	EN-324-SW220-O	\$53.96	\$73.47	\$92.98	H H D H H H D D	Y
	Boom & Jib 300' or longer	EN-324-SW300	\$54.46	\$74.22	\$93.98	H H D H H H D D	Y
	Crane w/ 300' boom or longer w/ Oiler	EN-324-SW300-O	\$55.46	\$75.72	\$95.98	H H D H H H D D	Y
	Boom & Jib 400' or longer	EN-324-SW400	\$55.96	\$76.47	\$96.98	H H D H H H D D	Y
	Crane w/ 400' boom or longer w/ Oiler	EN-324-SW400-O	\$56.96	\$77.97	\$98.98	H H D H H H D D	Y

Official Request #: 863
 Requestor: TROY SCHOOL DISTRICT
 Project Description: FENCE WORK
 Project Number: LEONARD ELEMENTARY
 County: Oakland

Official Rate Schedule

Every contractor and subcontractor shall keep posted on the construction site, in a conspicuous place, a copy of all prevailing wage and fringe benefit rates prescribed in a contract.

Official 2007 Prevailing Wage Rates for State Funded Projects

Issue Date: 7/5/2007

Contract must be awarded by 10/3/2007

Page 14 of 20

Classification Name Description		Straight Hourly	Time and a Half	Double Time	Overtime Provision
Crane Operator & Job Mechanic	EN-324-SWCO	\$51.15	\$69.26	\$87.36	H H D H H H D D Y
	Apprentice Rates:				
	0-999 hours	\$40.04	\$52.72	\$65.39	
	1,000-1,999 hours	\$41.85	\$55.43	\$69.01	
	2,000-2,999 hours	\$43.66	\$58.14	\$72.63	
	3,000-3,999 hours	\$45.48	\$60.88	\$76.27	
	4,000-4,999 hours	\$47.28	\$63.58	\$79.87	
	5,000 hours	\$49.10	\$66.31	\$83.51	
Crane w/ Oiler	EN-324-SWCO-O	\$52.15	\$70.76	\$89.36	H H D H H H D D Y
Compressor or Welder Operator	EN-324-SWCW	\$43.70	\$58.08	\$72.46	H H D H H H D D Y
Hoisting Operator	EN-324-SWHO	\$50.51	\$68.30	\$86.08	H H D H H H D D Y
Oiler	EN-324-SWO	\$42.29	\$55.97	\$69.64	H H D H H H D D Y
Tower Crane & Derrick where work is 50' or more above first level	EN-324-SWTD50	\$52.24	\$70.89	\$89.54	H H D H H H D D Y
Tower Crane & Derrick 50' or more w/ Oiler where work station is 50' or more above first level	EN-324-SWTD50-O	\$53.24	\$72.39	\$91.54	H H D H H H D D Y
Operating Engineer Underground					
Class I Equipment	EN-324A1-UC1	\$43.72	\$58.11	\$72.50	H H H H H H H D Y
	Apprentice Rates:				
	0-999 hours	\$34.89	\$44.97	\$55.04	
	1,000-1,999 hours	\$36.33	\$47.13	\$57.92	
	2,000-2,999 hours	\$37.76	\$49.27	\$60.78	
	3,000-3,999 hours	\$39.21	\$51.45	\$63.68	
	4,000-4,999 hours	\$40.65	\$53.61	\$66.56	
	5,000-5,999 hours	\$42.09	\$55.77	\$69.44	
Class II Equipment	EN-324A1-UC2	\$38.99	\$51.02	\$63.04	H H H H H H H D Y
Class III Equipment	EN-324A1-UC3	\$38.26	\$49.92	\$61.58	H H H H H H H D Y
Class IV Equipment	EN-324A1-UC4	\$37.69	\$49.07	\$60.44	H H H H H H H D Y
Master Mechanic	EN-324A1-UMM	\$43.97	\$58.49	\$73.00	H H H H H H H D Y

Official Request #: 863
 Requestor: TROY SCHOOL DISTRICT
 Project Description: FENCE WORK
 Project Number: LEONARD ELEMENTARY
 County: Oakland

Official Rate Schedule

Every contractor and subcontractor shall keep posted on the construction site, in a conspicuous place, a copy of all prevailing wage and fringe benefit rates prescribed in a contract.

Official 2007 Prevailing Wage Rates for State Funded Projects

Issue Date: 7/5/2007

Contract must be awarded by 10/3/2007

Page 15 of 20

Classification					
Name	Description	Straight Hourly	Time and a Half	Double Time	Overtime Provision
Painter					
Painter (8 hours of repaint work performed on Sunday shall be paid time & one half rate)	PT-22-P	\$38.01	\$50.24	\$62.47	H H D H D D D D N
	Apprentice Rates:				
	First 6 months	\$25.78	\$31.89	\$38.01	
	Second 6 months	\$29.45	\$37.40	\$45.35	
	Third 6 months	\$30.67	\$39.23	\$47.79	
	Fourth 6 months	\$31.89	\$41.06	\$50.23	
	Fifth 6 months	\$33.12	\$42.91	\$52.69	
	Final 6 months	\$34.34	\$44.73	\$55.13	
Sandblasting & spraywork performed, on highway bridges, overpases, tanks or steel, OR spraywork & sandblasting done with a scaffold height of 40' above the floor level	PT-22-S	\$38.81	\$51.44	\$64.07	H H D H D D D D N
Pipefitter					
Pipefitter	PF-636	\$55.06	\$74.14	\$89.96	H H D H D D D D N
	Apprentice Rates:				
	1st & 2nd periods	\$26.28	\$34.63	\$41.63	
	3rd period	\$28.28	\$37.63	\$45.63	
	4th period	\$29.53	\$39.51	\$48.13	
	5th period	\$30.78	\$41.38	\$50.63	
	6th period	\$32.03	\$43.25	\$53.13	
	7th period	\$33.28	\$45.13	\$55.63	
	8th period	\$34.28	\$46.63	\$57.63	
	9th period	\$35.28	\$48.13	\$59.63	
	10th period	\$36.71	\$50.27	\$62.49	
Plasterer					
Plasterer	BR1P	\$41.92	\$62.88	\$83.84	H H H H H H H D N
	Apprentice Rates:				
	1st 6 months	\$21.61	\$32.41	\$43.22	
	2nd 6 months	\$25.00	\$37.50	\$50.00	
	3rd 6 months	\$28.39	\$42.59	\$56.78	
	4th 6 months	\$31.83	\$47.75	\$63.66	
	5th 6 months	\$35.16	\$50.94	\$67.92	
	6th 6 months	\$38.53	\$57.80	\$77.06	

Official Request #: 863
 Requestor: TROY SCHOOL DISTRICT
 Project Description: FENCE WORK
 Project Number: LEONARD ELEMENTARY
 County: Oakland

Official Rate Schedule

Every contractor and subcontractor shall keep posted on the construction site, in a conspicuous place, a copy of all prevailing wage and fringe benefit rates prescribed in a contract.

Official 2007 Prevailing Wage Rates for State Funded Projects

Issue Date: 7/5/2007

Contract must be awarded by 10/3/2007

Page 16 of 20

Classification Name Description		Straight Hourly	Time and a Half	Double Time	Overtime Provision
Plasterer	PL67	\$42.87	\$58.16	\$73.45	H H H X D D D D N
	Apprentice Rates:				
	1st 6 months	\$24.52	\$30.63	\$36.75	
	2nd 6 months	\$27.58	\$35.23	\$42.87	
	3rd 6 months	\$30.64	\$39.81	\$48.99	
	4th 6 months	\$33.70	\$44.41	\$55.11	
	5th 6 months	\$36.75	\$48.98	\$61.21	
	6th 6 months	\$39.81	\$53.57	\$67.33	
Plumber					
Plumber	PL-98	\$53.68	\$71.45	\$87.21	H H D H D D D D Y
	Apprentice Rates:				
	Period 1	\$17.11	\$23.41	\$29.71	
	Period 2	\$17.11	\$23.41	\$29.71	
	Period 3	\$26.78	\$35.13	\$43.47	
	Period 4	\$27.41	\$36.07	\$44.73	
	Period 5	\$28.57	\$37.81	\$47.05	
	Period 6	\$29.72	\$39.53	\$49.35	
	Period 7	\$30.87	\$41.26	\$51.65	
	Period 8	\$32.04	\$43.01	\$53.99	
	Period 9	\$33.19	\$44.74	\$56.29	
	Period 10	\$34.35	\$46.48	\$58.61	
Roofer					
Commercial Roofer	RO-149-WOM	\$45.01	\$58.72	\$72.42	H H D H H H D D N
Straight time is not to exceed ten (10) hours per day or forty (40) hours per week.					
	Apprentice Rates:				
	Apprentice 1	\$29.78	\$36.88	\$44.64	
	Apprentice 2	\$33.80	\$41.54	\$49.52	
	Apprentice 3	\$35.16	\$43.50	\$52.14	
	Apprentice 4	\$36.15	\$44.94	\$54.06	
	Apprentice 5	\$37.33	\$46.64	\$56.32	
	Apprentice 6	\$38.67	\$48.58	\$58.90	
Sheet Metal Worker					
Sheet Metal Worker	SHM-80	\$51.82	\$69.04	\$86.25	H H D H D D D D Y
	Apprentice Rates:				
	First Year	\$34.61	\$43.22	\$51.83	
	Second Year	\$35.98	\$45.27	\$54.57	
	Third Year	\$37.36	\$47.34	\$57.33	
	Fourth Year	\$40.11	\$51.47	\$62.83	
	Fifth Year	\$42.86	\$55.59	\$68.33	

Official Request #: 863
 Requestor: TROY SCHOOL DISTRICT
 Project Description: FENCE WORK
 Project Number: LEONARD ELEMENTARY
 County: Oakland

Official Rate Schedule

Every contractor and subcontractor shall keep posted on the construction site, in a conspicuous place, a copy of all prevailing wage and fringe benefit rates prescribed in a contract.

Official 2007 Prevailing Wage Rates for State Funded Projects

Issue Date: 7/5/2007

Contract must be awarded by 10/3/2007

Page 17 of 20

Classification Name Description		Straight Hourly	Time and a Half	Double Time	Overtime Provision
Siding & Decking	SHM-80-SD	\$34.58	\$46.03	\$57.48	H H H H H H H D Y
Sprinkler Fitter					
Sprinkler Fitter	SP 704	\$54.02	\$72.89	\$91.75	H H D H D D D D Y
	Apprentice Rates:				
	1st Period	\$31.38	\$38.93	\$46.47	
	2nd Period	\$33.27	\$41.76	\$50.25	
	3rd Period	\$35.15	\$44.58	\$54.01	
	4th Period	\$37.04	\$47.41	\$57.79	
	5th Period	\$38.93	\$50.25	\$61.57	
	6th Period	\$40.81	\$53.07	\$65.33	
	7th Period	\$42.70	\$55.91	\$69.11	
	8th Period	\$44.59	\$58.74	\$72.89	
	9th Period	\$46.47	\$61.56	\$76.65	
	10th Period	\$48.36	\$64.39	\$80.43	
Terrazzo					
Terrazzo Finisher	TT32-TRF	\$38.77	\$49.06	\$59.34	H H D H D D D D N
	Apprentice Rates:				
	Level 1	\$19.72	\$25.71	\$31.69	
	Level 2	\$20.39	\$26.71	\$33.03	
	Level 3	\$23.86	\$30.27	\$36.69	
	Level 4	\$25.16	\$32.23	\$39.29	
	Level 5	\$26.49	\$33.74	\$41.00	
	Level 6	\$27.92	\$35.33	\$42.74	
	Level 7	\$29.41	\$37.18	\$44.96	
	Level 8	\$30.73	\$38.74	\$46.76	
Terrazzo Worker	TT32-TRW	\$43.79	\$56.59	\$69.38	H H D H D D D D N
	Apprentice Rates:				
	Level 1	\$24.11	\$30.98	\$37.86	
	Level 2	\$26.83	\$34.42	\$42.00	
	Level 3	\$29.60	\$37.44	\$45.28	
	Level 4	\$32.00	\$40.68	\$49.36	
	Level 5	\$34.08	\$43.15	\$52.21	
	Level 6	\$37.34	\$47.85	\$58.35	
	Level 7	\$38.42	\$49.33	\$60.25	
	Level 8	\$39.25	\$50.58	\$61.91	

Official Request #: 863
 Requestor: TROY SCHOOL DISTRICT
 Project Description: FENCE WORK
 Project Number: LEONARD ELEMENTARY
 County: Oakland

Official Rate Schedule

Every contractor and subcontractor shall keep posted on the construction site, in a conspicuous place, a copy of all prevailing wage and fringe benefit rates prescribed in a contract.

Official 2007 Prevailing Wage Rates for State Funded Projects

Issue Date: 7/5/2007

Contract must be awarded by 10/3/2007

Page 18 of 20

Classification					
Name	Description	Straight Hourly	Time and a Half	Double Time	Overtime Provision
Tile					
Tile Finisher	TT32-TF	\$38.39	\$48.49	\$58.58	H H D H D D D D N
	Apprentice Rates:				
	Level 1	\$18.63	\$24.07	\$29.51	
	Level 2	\$19.69	\$25.66	\$31.63	
	Level 3	\$23.83	\$30.23	\$36.63	
	Level 4	\$25.13	\$32.18	\$39.23	
	Level 5	\$26.46	\$33.70	\$40.94	
	Level 6	\$27.89	\$35.48	\$43.08	
	Level 7	\$29.38	\$37.01	\$44.65	
	Level 8	\$30.70	\$38.57	\$46.45	
Tile Layer	TT32-TL	\$43.69	\$56.44	\$69.18	H H D H D D D D N
	Apprentice Rates:				
	Level 1	\$24.11	\$30.98	\$37.86	
	Level 2	\$26.83	\$34.42	\$42.00	
	Level 3	\$29.60	\$37.44	\$45.28	
	Level 4	\$32.00	\$40.68	\$49.36	
	Level 5	\$34.03	\$42.94	\$51.86	
	Level 6	\$37.29	\$47.77	\$58.25	
	Level 7	\$37.87	\$48.51	\$59.15	
	Level 8	\$38.70	\$49.75	\$60.81	
Truck Driver					
on all trucks of 8 cubic yard capacity or less	TM-RB1	\$33.66	\$35.99		H H H H H H H Y
of all trucks of 8 cubic yard capacity or over	TM-RB1A	\$33.76	\$36.14		H H H H H H H Y
on euclid type equipment	TM-RB1B	\$33.91	\$36.36		H H H H H H H Y
Underground Laborer Open Cut, Class I					
Construction Laborer	LAUC-Z1-1	\$32.39	\$42.99	\$53.58	H H H H H H H D Y
	Apprentice Rates:				
	0-1,000 work hours	\$27.59	\$35.78	\$43.98	
	1,001-2,000 work hours	\$28.55	\$37.22	\$45.90	
	2,001-3,000 work hours	\$29.51	\$38.66	\$47.82	
	3,001-4,000 work hours	\$31.43	\$41.54	\$51.66	

Official Request #: 863
 Requestor: TROY SCHOOL DISTRICT
 Project Description: FENCE WORK
 Project Number: LEONARD ELEMENTARY
 County: Oakland

Official Rate Schedule

Every contractor and subcontractor shall keep posted on the construction site, in a conspicuous place, a copy of all prevailing wage and fringe benefit rates prescribed in a contract.

Official 2007 Prevailing Wage Rates for State Funded Projects

Issue Date: 7/5/2007

Contract must be awarded by 10/3/2007

Page 19 of 20

Classification		Straight	Time and	Double	Overtime	Provision
Name	Description	Hourly	a Half	Time		
Underground Laborer Open Cut, Class II						
	Mortar and material mixer, concrete form man, signal man, well point man, manhole, headwall and catch basin builder, guard rail builders, headwall, seawall, breakwall, dock builder and fence erector.	LAUC-Z1-2	\$32.50	\$43.15	\$53.80	H H H H H H H D Y
Apprentice Rates:						
	0-1,000 work hours	\$27.68	\$35.92	\$44.16		
	1,001-2,000 work hours	\$28.64	\$37.36	\$46.08		
	2,001-3,000 work hours	\$29.60	\$38.80	\$48.00		
	3,001-4,000 work hours	\$31.54	\$41.71	\$51.88		
Underground Laborer Open Cut, Class III						
	Air, gasoline and electric tool operator, vibrator operator, drillers, pump man, tar kettle operator, bracers, rodder, reinforced steel or mesh man (e.g. wire mesh, steel mats, dowel bars, etc.), cement finisher, welder, pipe jacking and boring man, wagon drill and air track operator and concrete saw operator (under 40 h.p.), windlass and tugger man, and directional boring man.	LAUC-Z1-3	\$32.55	\$43.23	\$53.90	H H H H H H H D Y
Apprentice Rates:						
	0-1,000 work hours	\$27.71	\$35.96	\$44.22		
	1,001-2,000 work hours	\$28.68	\$37.42	\$46.16		
	2,001-3,000 work hours	\$29.65	\$38.88	\$48.10		
	3,001-4,000 work hours	\$31.58	\$41.77	\$51.96		
Underground Laborer Open Cut, Class IV						
	Trench or excavating grade man.	LAUC-Z1-4	\$32.63	\$43.35	\$54.06	H H H H H H H D Y
Apprentice Rates:						
	0-1,000 work hours	\$27.77	\$36.06	\$44.34		
	1,001-2,000 work hours	\$28.74	\$37.51	\$46.28		
	2,001-3,000 work hours	\$29.72	\$38.98	\$48.24		
	3,001-4,000 work hours	\$31.66	\$41.89	\$52.12		
Underground Laborer Open Cut, Class V						
	Pipe Layer	LAUC-Z1-5	\$32.69	\$43.44	\$54.18	H H H H H H H D Y
Apprentice Rates:						
	0-1,000 work hours	\$27.82	\$36.13	\$44.44		
	1,001-2,000 work hours	\$28.79	\$37.58	\$46.38		
	2,001-3,000 work hours	\$29.77	\$39.06	\$48.34		
	3,001-4,000 work hours	\$31.72	\$41.98	\$52.24		

Official Request #: 863
 Requestor: TROY SCHOOL DISTRICT
 Project Description: FENCE WORK
 Project Number: LEONARD ELEMENTARY
 County: Oakland

Official Rate Schedule

Every contractor and subcontractor shall keep posted on the construction site, in a conspicuous place, a copy of all prevailing wage and fringe benefit rates prescribed in a contract.

Official 2007 Prevailing Wage Rates for State Funded Projects

Issue Date: 7/5/2007

Contract must be awarded by 10/3/2007

Page 20 of 20

Classification		Straight	Time and	Double	Overtime Provision
Name	Description	Hourly	a Half	Time	
Underground Laborer Open Cut, Class VI					
	Grouting man, top man assistant, audio visual television operations and all other operations in connection with closed circuit television inspection, pipe cleaning and pipe relining work.	\$30.14	\$39.61	\$49.08	H H H H H H H D Y
	LAUC-Z1-6				
	Apprentice Rates:				
	0-1,000 work hours	\$25.90	\$33.25	\$40.60	
	1,001-2,000 work hours	\$26.75	\$34.52	\$42.30	
	2,001-3,000 work hours	\$27.60	\$35.80	\$44.00	
	3,001-4,000 work hours	\$29.29	\$38.34	\$47.38	
Underground Laborer Open Cut, Class VII					
	Restoration laborer, seeding, sodding, planting, cutting, mulching and topsoil grading and the restoration of property such as replacing mail boxes, wood chips, planter boxes, flagstones etc.	\$26.76	\$34.54	\$42.32	H H H H H H H D Y
	LAUC-Z1-7				
	Apprentice Rates:				
	0-1,000 work hours	\$23.37	\$29.46	\$35.54	
	1,001-2,000 work hours	\$24.05	\$30.48	\$36.90	
	2,001-3,000 work hours	\$24.73	\$31.50	\$38.26	
	3,001-4,000 work hours	\$26.08	\$33.52	\$40.96	

Official Request #: 863
 Requestor: TROY SCHOOL DISTRICT
 Project Description: FENCE WORK
 Project Number: LEONARD ELEMENTARY
 County: Oakland

Official Rate Schedule

Every contractor and subcontractor shall keep posted on the construction site, in a conspicuous place, a copy of all prevailing wage and fringe benefit rates prescribed in a contract.

ENGINEERS - CLASSES OF EQUIPMENT LIST

UNDERGROUND ENGINEERS

CLASS I

Backfiller Tamper, Backhoe, Batch Plant Operator, Clam-Shell, Concrete Paver (2 drums or larger), Conveyor Loader (Euclid type), Crane (crawler, truck type or pile driving), Dozer, Dragline, Elevating Grader, End Loader, Gradall (and similar type machine), Grader, Power Shovel, Roller (asphalt), Scraper (self propelled or tractor drawn), Side Broom Tractor (type D-4 or larger), Slope Paver, Trencher (over 8' digging capacity), Well Drilling Rig, Mechanic, Slip Form Paver.

CLASS II

Boom Truck (power swing type boom), Crusher, Hoist, Pump (1 or more 6" discharge or larger gas or diesel powered by generator of 300 amps or more, inclusive of generator), Side Boom Tractor (smaller than type D-4 or equivalent), Sweeper (Wayne type and similar equipment), Tractor (pneu-tired, other than backhoe or front end loader), Trencher (8' digging capacity and smaller).

CLASS III

Air Compressors (600 cfm or larger), Air Compressors (2 or more less than 600 cfm), Boom Truck (non-swinging, non-powered type boom), Concrete Breaker (self-propelled or truck mounted, includes compressor), Concrete Paver (1 drum, ½ yard or larger), Elevator (other than passenger), Maintenance Man, Mechanic Helper, Pump (2 or more 4" up to 6" discharge, gas or diesel powered, excluding submersible pump), Pumpcrete Machine (and similar equipment), Wagon Drill Machine, Welding Machine or Generator (2 or more 300 amp or larger, gas or diesel powered).

CLASS IV

Boiler, Concrete Saw (40HP or over), Curing Machine (self-propelled), Farm Tractor (w/attachment), Finishing Machine (concrete), Firemen, Hydraulic Pipe Pushing Machine, Mulching Equipment, Oiler (2 or more up to 4", exclude submersible), Pumps (2 or more up to 4" discharge if used 3 hrs or more a day-gas or diesel powered, excluding submersible pumps), Roller (other than asphalt), Stump Remover, Vibrating Compaction Equipment (6' wide or over), Trencher (service).

HAZARDOUS WASTE ABATEMENT ENGINEERS

CLASS I

Backhoe, Batch Plant Operator, Clamshell, Concrete Breaker when attached to hoe, Concrete Cleaning Decontamination Machine Operator, Concrete Pump, Concrete Paver, Crusher, Dozer, Elevating Grader, Endloader, Farm Tractor (90 h.p. and higher), Gradall, Grader, Heavy Equipment Robotics Operator, Loader, Pug Mill, Pumpcrete Machines, Pump Trucks, Roller, Scraper (self-propelled or tractor drawn), Side Boom Tractor, Slip Form Paver, Slop Paver, Trencher, Ultra High Pressure Waterjet Cutting Tool System Operator, Vactors, Vacuum Blasting Machine Operator, Vertical Lifting Hoist, Vibrating Compaction Equipment (self-propelled), and Well Drilling Rig.

CLASS II

Air Compressor, Concrete Breaker when not attached to hoe, Elevator, End Dumps, Equipment Decontamination Operator, Farm Tractor (less than 90 h.p.), Forklift, Generator, Heater, Mulcher, Pigs (Portable Reagent Storage Tanks), Power Screens, Pumps (water), Stationary Compressed Air Plant, Sweeper, and Welding Machine.

Regular Crane Operators rate shall include: Mechanics, Crane Operators, Dragline Operators, Boom Truck Operators, Power Shovel Operators and Concrete Pumps with booms.

Revised: 09/07/06



MICHIGAN DEPARTMENT OF LABOR & ECONOMIC GROWTH
WAGE & HOUR DIVISION

OVERTIME PROVISIONS for MICHIGAN PREVAILING WAGE RATE SCHEDULE

1. Overtime is represented as a nine character code. Each character represents a certain period of time after the first 8 hours Monday thru Friday.

	Monday thru Friday	Saturday	Sunday & Holidays
First 8 Hours		4	8
9th Hour	1	5	
10th Hour	2	6	
Over 10 hours	3	7	

Overtime for Monday thru Friday after 8 hours:

the 1st character is for time worked in the 9th hour (8.1 - 9 hours)
the 2nd character is for time worked in the 10th hour (9.1 - 10 hours)
the 3rd character is for time worked beyond the 10th hour (10.1 and beyond)

Overtime on Saturday:

the 4th character is for time worked in the first 8 hours on Saturday (0 - 8 hours)
the 5th character is for time worked in the 9th hour on Saturday (8.1 - 9 hours)
the 6th character is for time worked in the 10th hour (9.1 - 10 hours)
the 7th character is for time worked beyond the 10th hour (10.01 and beyond)

Overtime on Sundays & Holidays

The 8th character is for time worked on Sunday or on a holiday

The last character indicates if an optional 4-day 10-hour per day workweek can be worked without paying overtime after 8 hours worked.

2. Overtime Indicators Used in the Overtime Provision:

H - means TIME AND ONE-HALF due
X - means TIME AND ONE-HALF due after 40 HOURS worked
D - means DOUBLE PAY due
Y - means YES an optional 4-day 10-hour per day workweek can be worked without paying overtime after 8 hours worked
N - means NO an optional 4-day 10-hour per day workweek *can not* be worked without paying overtime after 8 hours worked

3. EXAMPLES:

HHHHHHHDN - This example shows that the 1½ rate must be used for time worked after 8 hours Monday thru Friday (*characters 1 - 3*); for all hours worked on Saturday, 1½ rate is due (*characters 4 - 7*). Work done on Sundays or holidays must be paid double time (*character 8*). The N (*character 9*) indicates that 4 ten-hour days is not an acceptable workweek at regular pay.

XXXHHHHDY - This example shows that the 1½ rate must be used for time worked after 40 hours are worked Monday thru Friday (*characters 1-3*); for hours worked on Saturday, 1½ rate is due (*characters 4 - 7*). Work done on Sundays or holidays must be paid double time (*character 8*). The Y (*character 9*) indicates that 4 ten-hour days is an acceptable alternative workweek.

**TROY SCHOOL DISTRICT
 Bid 9433 Fencing
 Leonard Elementary School**

	Michigan Fence & Supply Terms: Net 30 Firms: 30 Days	Riteway Fence Co, Inc. Terms: Firms: 30 Days	Nationwide Fence & Supply Terms: Net 30 Days Firms: 30 Days
Cost to supply & Install Fencing as per the specifications	Class 2B fused wire 6,335.00 Performance Bond 100.00	6,900.00	9,443.00
Freight Charges			N/A
Any Other Charges (MUST specify)			N/A
<u>Alternate</u>	Extruded Wire - Deduct (300.00)		

- American Fence & Supply - No Response
- Noble Fence - No Response
- Star Fence Co. - No Response
- Citizens Fence Co. - No Response
- The Fence Spot Inc.- No Response
- Anchor Fence Inc. - No Response
- Guardian Fence - No Response