

REQUEST FOR QUOTATION	<h1 style="margin: 0;">TROY SCHOOL DISTRICT</h1> <p style="margin: 0;">1140 RANKIN, TROY, MICHIGAN 48083</p> <p style="margin: 0;">248-823-4052</p> <p style="margin: 0;">FAX: 248-823-4077</p>	REQUISITION
No. 9537		
DUE DATE 6/30/08 NO LATER THAN 3 p.m.		DATE 6-13-08

REQUEST FOR QUOTE – NOT AN ORDER

THIS FORM MUST BE UTILIZED WHEN RESPONDING TO THIS REQUEST

BID ENVELOPE ENCLOSED

THE RFQ NUMBER MUST APPEAR ON ALL QUOTATIONS AND RELATED CORRESPONDENCE, THIS IS NOT AN ORDER

Quantity	DESCRIPTION	UNIT PRICE	AMOUNT
	<p>Please supply us with your bid to furnish the Troy School District with flagpole removal and replacement.</p> <p style="text-align: center;">Copies of the bid are available at: www.troy.k12.mi.us/purchasing/items_out_for_bid.htm</p> <p style="text-align: center;">Bid recaps will be available at: troy.k12.mi.us/purchasing/index.htm</p> <p><i>FACSIMILE BID IS NOT ACCEPTABLE</i></p> <p><small>Bids will not be accepted if submitted after the deadline specified (local time) in the advertisement to bid or in the information to bidders. The late submission of a bid makes the bid nonrepsonive and is a material defect which shall not be waived by the Board of Education. Delays in the mail will not be considered. All Late bids in the mail will be returned to the bidder unopened.</small></p> <p><small>Proposal for the submission of alternatives by vendors will be accepted and reviewed. However, if any substitution or departure is not clearly noted and described, it will be understood that the bid intends to exactly meet the specifications.</small></p> <p><small>The Board of Education shall be the sole judge as to whether the proposed goods are "equal" or "approved". Quotations must be mailed or delivered to the Purchasing Office, 1140 Rankin, Troy, MI 48083 no later than 3 p.m. on the date shown above. Michigan State Sales and Use Taxes and Federal Excise Taxes do not apply unless otherwise indicated. Exemption certificates will be furnished when necessary. This request imposes no obligations on the buyer. The Board of Education reserves the right to accept or reject any or all bids or to split awards by items or to accept bids, which will best serve the Board of Education.</small></p>		

THIS AREA MUST BE FILLED IN

DELIVERY TIME	PRICES FIRM FOR	NAME OF COMPANY	TELEPHONE NO.
TERMS		NO. & STREET	FAX #
FOB DELIVERED	ALL DELIVERY CHARGES MUST BE INCLUDED IN PRICES SHOWN	CITY, STATE & ZIP CODE	E-MAIL
CONTACT PERSON (PLEASE PRINT)		SIGNATURE	DATE

Note: All bidders are specifically reminded that a completed Affidavit of Bidder (Familial Disclosure) MUST be completed and submitted with the bid response. Failure to include a completed copy will be grounds for disqualification of bid. The Affidavit of Bidder is required to be notarized for construction bids only. All others only require completion and signature.

AFFIDAVIT OF BIDDER

The undersigned, the owner or authorized officer of _____(the “Bidder), pursuant to the familial disclosure requirement provided in the _____(the “School District”) advertisement for construction bids, hereby represent and warrant except as provided below, that no familial relationships exist between the over(s) or any employee of _____ and any member of the Board of Education of the School District or the Superintendent of the School District.

List any Familial Relationships:

BIDDER:

By: _____

Its: _____

STATE OF MICHIGAN)
)ss.
COUNTY OF _____)

This instrument was acknowledged before me on the _____ day of _____, 2008, by _____.

,Notary Public

_____County, Michigan

My Commission Expires: _____

Acting in the County of: _____

Troy School District Flagpole Removal/Installation Project Bid # 9537

ADVERTISEMENT TO BID

The **Troy School District** is seeking qualified bids for the removal and replacement of flagpoles at several district locations. Bid proposals will be received by Troy School District, 1140 Rankin, Troy, MI 48083 delivery or mail, to the attention of Frank Lams by 3:00 p.m. local time on Monday, June 30, 2008. (The clock used for receiving bids is located at the Rankin office in the main office area). Proposals must be sealed with Bidder's name on the outside of the envelope and designated as follows:

**Sealed Proposal
Flagpole Removal & Replacement
Bid Package 9537
Contractor Name, Address, Phone Number**

Proposals shall be based on the requirements set forth in this bid package specification. Any resultant contract shall be based on these specifications.

Accepted Bidders will be required, as a condition precedent to award of Contract, to furnish in the amount of 100% of the contract price, satisfactory Performance Bond and Payment Bond and Certificates of Insurance as required.

Unless otherwise specifically set forth, this Project is subject to state sales and/or use taxes and Bidder is required to include such taxes in its Bid Proposal.

Bid Proposals will be publicly opened immediately following receipt of bids by the Troy School District and evaluated by Owner with awards subsequently made by Troy School District.

The Owner shall not open, consider or accept a Bid Proposal that is received after the date and time specified for bid submission in this Advertisement for Bids.

Bidding Documents will be available for examination and distribution on or after Friday, June 13, 2008. Examination made be made at the following locations:

- Troy School District, 1140 Rankin, Troy, MI 48083
- Construction Association of Michigan, 43636 Woodward Ave., Bloomfield, MI 48302
- F.W. Dodge, 21415 Civic Center Drive, Suite 115, Southfield, MI 48076

All interested bidders are encouraged to visit the sites listed to fully ascertain the scope and working conditions present.

Bid Proposals shall be on forms furnished by **Troy School District**. Bidders will be required to submit with their Bid Proposals, a notarized Familial Relationship Disclosure Form, a Bid Security by a qualified surety authorized to do business in the State of Michigan where the Project is located, an OSHA Form 300 for the most recent completed year, their worker's compensation Experience Modification Rate (EMR) factor and any other information required in the Instructions to Bidders. Bidders shall not withdraw Bid Proposals for a period of **ninety (90)** days after date for receipt of Bid Proposals.

The right to accept or reject any or all Bid Proposals, either in whole or in part, to waive any informalities or irregularities therein and to award the contract to other than the low bidder is reserved by Troy School District.

All Bid Proposals shall be accompanied by the sworn and notarized statement disclosing any familial relationship that exists between the owner or any employee of the Bidder and any member of the School Board or the superintendent of the School District. Bid proposals that do not include this sworn and notarized disclosure statement will not be considered accepted.

The successful bidder and its subordinate parties shall comply with the Prevailing Wage Requirements for all work as required by the State of Michigan Public Act 166 Dated 1965 As Amended.

End of Advertisement

Troy School District

Flagpole Removal/Installation Project

Bid # 9537

BID SECURITY

- A. Bid security in the form of a bid bond issued by a qualified surety, certified check or cashier's check in the amount of five percent (5%) of the Base Bid amount will be required at the time of submission of the Bid Proposal. Bid bonds shall be duly executed by the bidder, as principal and by a surety that is properly licensed and authorized to do business in the state in which the Work is to be performed. All sureties providing bonds for this Project must be listed in the latest version of the Department of Treasury's Circular 570, entitled "Companies Holding Certificates of Authority as Acceptable Sureties on Federal bonds and as Acceptable Reinsuring Companies", with the bond amount less than or equal to the underwriting limitation, and/or have an A.M. best rating of A- or better.
- B. Bid bond shall pledge that the Bidder, with the understanding that if its Bid Proposal is accepted, will enter into the Agreement with Troy School District for any of the Bid Category(ies) accepted from its Bid Proposal and will, if required, furnish performance and payment bonds covering the faithful performance of the Agreement and the payment of all obligations arising there under. The attorney-in-fact, who signs the surety bond, must submit along with the bond, a certified and effectively dated copy of his/her power of attorney.
- C. Bid bond form AIA Document A310 is approved for use on this Project.
- D. The bid security obligees shall be **Troy School District** and the amount of the bid security shall become their property in the event that the Bidder fails, within Sixty (60) days of notice of award or receipt of the Agreement form, to execute the Agreement, and deliver the performance and payment bonds as described. In such case, the bid security shall be forfeited to Troy School District as liquidated damages, not as a penalty.
- E. The Owner will have the right to retain the bid security(ies) of Bidders to whom an award is being considered until either (a) the Agreement has been executed and bonds, if required, have been furnished, or (b) the specified time has elapsed so that Bid Proposals may be withdrawn, or (c) all Bid Proposals have been rejected.
- F. Bid security will be returned to the successful bidders after the Agreement has been executed, and acceptance of required performance and payment bonds. The bid security of Bidders that are not under consideration for award of the Agreement will be returned to those Bidders.

SUBMISSION OF BIDS

- A. All copies of the Bid Proposal, the bid security and any other documents required to be submitted with the Bid Proposal shall be enclosed in a sealed opaque envelope. The envelope shall be addressed to the party receiving the bids and shall be identified with the Project name, the bidder's name and address, if applicable, the designated portion of the Work for which the Bid Proposal is submitted. If the Bid Proposal is sent by mail, the sealed envelope shall be enclosed in a separate mailing envelope with the notation "SEALED BID ENCLOSED" on the face of the envelope.
- B. Bid Proposals shall be deposited at the designated location prior to the time and date for receipt of Bid Proposals indicated in the Advertisement to Bid, or any extension thereof made by Addendum. Bid Proposals received after the date and time for receipt of bids will be returned unopened.
- C. The Bidder shall assume full responsibility for timely delivery at the location designated for receipt of Bid Proposals.
- D. Oral, telephonic, facsimile, emailed or telegraphic Bid Proposals or bid securities are invalid and will not receive consideration.
- E. Bid Proposals will only be accepted for individual Bid Categories. Bidders are required to bid an entire Bid Category. Bidders may bid more than one Bid Category. Combined bids covering several Bid Categories may not be accepted unless separate bid amounts are listed for each Bid Category making up the combined bid amount. The amount for a combined bid, however, need not be equal in amount to the total of the individual category bids.

MODIFICATION OR WITHDRAWAL OF BID PROPOSAL

- A. A Bid Proposal may not be modified, withdrawn or canceled by the Bidder after the stipulated time period and date designated for the receipt of Bid Proposals, and each Bidder so agrees in submitting its Bid.
- B. Prior to the time and date designated for receipt of Bid Proposals, any Bid Proposal submitted may be modified or withdrawn by notice to the party receiving Bid Proposals at the place designated for their receipt. Such notice shall be in writing over the signature of the Bidder.
- C. Withdrawn Bid Proposals may be submitted up to the time designated for the receipt of bids provided that they are then fully in conformance with these Instructions to Bidders.
- D. Bid security under B. or C., above shall be in an amount for the Base Bid as modified or resubmitted.

CONSIDERATION OF BIDS

OPENING OF BIDS

- A. Bid Proposals received on time will be open publicly.

- B. Bid Proposals shall be held open and irrevocable for **Forty-five (45)** days after the receipt of bids.

REJECTION OF BIDS

A. **Troy School District** shall have the right to reject any or all bid Proposals and to reject a Bid Proposal not accompanied by the required bid security or by other information required by the Bidding Documents, or to reject a Bid Proposal which is in any way incomplete or irregular.

B. Bid Proposals are considered irregular and may be rejected for any of the following reasons unless otherwise provided by law:

1. If Bid Proposal Form furnished is not used or is altered.
2. If there are unauthorized additions, qualified or conditional Bid Proposals, or irregularities of any kind which may make the Bid Proposal incomplete, indefinite, or ambiguous as to its meaning.
3. If Bidder adds any provisions reserving right to accept or reject any award, or enter into the Agreement pursuant to an award.
4. If Unit or Lump Sum prices or Alternates contained in the Bid Proposal are obviously unbalanced either in excess of, or below, reasonable cost analysis values.
5. If Bidder fails to complete the Bid Proposal Form where information is requested so the Bid Proposal form cannot be properly evaluated.
6. Bidder is deemed to not be the Lowest Responsive, Responsible Bidder by definition and prevailing statutes.
7. Bidder does not submit with its Bid Proposal a sworn and notarized statement of Familial Disclosure.

ACCEPTANCE OF BID (AWARD)

A. It is the intent of the **Troy School District** to award the Agreement to the Lowest Responsive and Responsible Bidder provided the Bid Proposal has been submitted in accordance with the requirements of the bidding Documents and does not exceed the funds available. **Troy School District** shall have the right to waive any informality or irregularity in any bid Proposal received and to accept Bid Proposals which, in its judgment, are in its own best interest which includes not awarding to the low bidder. **Troy School District** reserves the right to reject any bid Proposal in its sole discretion except where otherwise provided by law.

B. **Troy School District** shall have the right to accept any Alternates in any order or combination and to determine the low bidder on the basis of the sum of the Base Bid, Voluntary Alternates and Alternates accepted.

C. **Troy School District reserves the right to award this bid on an individual site basis. Bidders are encouraged to bid all work at all sites, however, no disqualification will be made on bids which opt to bid on less than all sites providing that the submitted bid is complete on a *per site basis*.**

INSURANCE REQUIREMENTS

As a condition of performing work under the Agreement, Contractor will keep in force, at all times during performance of the Work, policies of insurance covering all Basic Insurance Requirements and any applicable Supplemental Insurance Requirements. The requirements identified below are minimum requirements. If the Agreement or other Contract Documents impose additional or higher standards, contractor shall meet those as well. Where a Controlled Insurance Program ("CIP") is specified in the Contract Documents, these insurance requirements shall not apply to coverage supplied by the CIP, but shall apply to coverage which Contractor is required to carry outside the scope of the CIP.

Basic Insurance Requirements

Workers' Compensation covering Contractor's statutory obligations in the State(s) in which the Work is to be performed or Federal statutory obligations, if applicable to the Project and Employers' Liability insurance with limits of liability of \$1,000,000 per accident. Where applicable, a US Longshore and Harborworker's Compensation Act endorsement must be included.

If Contractor employs the services of leased employees for the Work or for a portion of the Work, it will be required to submit evidence, to the satisfaction of the Troy School District, that such leased employees are fully covered by the minimum limits of Workers' Compensation and Employers' Liability Insurance. Such evidence shall include, but not be limited to, submission of the applicable leasing agreement.

Automobile Liability insurance with the limit of \$1,000,000 per accident covering Contractor's owned, non-owned and hired automobiles.

Commercial General Liability Insurance written on the 1988 ISO OCCURRENCE policy form or subsequent versions with the limits of liability as follows:

General Aggregate
\$2,000,000
Products-Completed Operations Aggregate
\$2,000,000
Personal/Advertising Injury
\$2,000,000
Each Occurrence
\$2,000,000

This coverage shall include coverage for premises-operations, independent contractors' protective products and completed operations, personal injury and broad form property damage (including coverage for explosion, collapse, and underground hazards), and Contractual Liability protection with respect to Contractor's indemnification obligations under the Contract Documents. Products-completed operations coverage must be maintained for at least two years after final completion of the Project.

General Provisions

Every policy must be written by an insurance company licensed in the state of Michigan and is reasonably acceptable to the Troy School District.

For Employer's Liability, Commercial General Liability and Automobile Liability may be attained by a combination of an underlying policy with an umbrella or excess liability policy.

The Troy School District shall be endorsed as additional insureds on Contractor's liability insurance (including general liability, excess liability, automobile liability and pollution liability, where applicable, with respect to liability arising out of activities performed by or on behalf of Contractor. The coverage provided by the additional insured endorsement shall be at least as broad as the Insurance Service Office, Inc.'s Additional insured, Form B CG 20 10 11 85 or CG 20 26 11 85. Forms that do not provide additional insured status for completed operations will not be accepted.

Contractor will furnish, before any work is started, certificates of insurance showing the required coverage Receipt by Troy School District of a non-conforming certificate of insurance without objection, or Troy School District's failure to collect a certificate of insurance, shall not waive or alter Contractor's duty to comply with the insurance requirements. Modifications to these insurance will not be effective unless made in a writing executed by an authorized representative of the Troy School District. Upon written request by Troy School District, contractor will provide copies of its insurance policies.

Evidence of the required insurance is to be provided to Troy School District on ACORD Certificate Form 25-S and must indicate:

Any coverage exclusions or deviations from the 1988 ISO commercial general liability form or subsequent versions;

Best's rating for each insurance carrier at A minus VII or better;

That the issuing insurance company will provide thirty (30) days written notice of cancellation to the certificate holder and the words "endeavor to" and "but failure to mail such notice shall impose no obligation or liability of any kind upon the company, its agents or representatives" do not apply or have been removed;

That additional insured endorsements have been provided as required under the Contract Documents;

and

Any deductibles over \$10,000 applicable to any coverage.

All coverage must be primary and not excess over or contributory with any other valid, applicable and collectible insurance in force for Troy School District, or other insureds.

Contractor will provide full coverage for all of Contractor's equipment, property and tools used in the Work.

Contractor shall waive, and shall require (by endorsement or otherwise) its insurers providing the coverage required by these insurance requirements to waive, subrogation rights against Troy School District, and all other additional insureds for losses and damages incurred and/or paid under the insurance policies required by these insurance requirements or other insurance applicable to Contractor or its Subordinate Parties, and will include this same requirement in contracts with its Subordinate Parties. If the policies of insurance referred to in this paragraph require an endorsement to provide for continued coverage where there is a waiver of subrogation, the owners of each policies will cause them to be so endorsed.

Contractor will send or fax a copy of these insurance requirements to its agent when an insurance certificate is requested to assure that the policies comply with the insurance requirements.

If Contractor requires its Subordinate Parties to provide additional insured endorsements in favor of Contractor, those endorsements shall be extended to Troy School District and all other required additional insureds.

Contractor's duty to provide the insurance coverage set forth in these insurance requirements is a severable obligation from Contractor's indemnification obligations under the Contract Documents. Nothing in these insurance requirements shall be deemed to limit Contractor's liability under the Agreement.

Troy School District

Flagpole Removal/Installation Project

Bid # 9537

Part 1 – General

1.01 WORK SCOPE

- A. Provide labor, materials, and equipment necessary to remove the existing flagpoles and install replacements as specified:
- Installer must be certified and/or authorized by manufacturer to install the new flagpoles.
 - The disposal of excavated spoils, concrete, asphalt and old poles must comply with all Local and State regulations. The district will not be responsible for the removal, disposal or cleanup of waste and/or debris associated with the project.
 - Repair damaged areas affected by heavy equipment, the removal of the old flagpoles, etc (i.e. concrete, asphalt or natural surfaces) caused during this project. All repairs must comply with district standards.

1.02 SCHEDULING

- A. The completion date for the project is **01 September 2008**. Project start date will be determined based on final approved by the Troy School District Board of Education.
- B. Must provide a timeline report outlining the installation from start to finish (estimated based on normal conditions). Must provide documentation that outlines the scope of work to be completed at each of the facilities listed below and project cost per site:
1. Bemis Elementary – 3571 Northfield Parkway
 2. Boulan Park Middle School – 3570 Northfield Parkway
 3. Costello Elementary – 1333 Hamman
 4. Hamilton Elementary – 5625 Northfield Parkway
 5. Leonard Elementary – 4401 Tallman
 6. Martell Elementary – 5666 Livernois
 7. Morse Elementary – 475 Cherry
 8. Wass Elementary – 2340 Willard

Part 2 – Material

2.01 MATERIALS

- A. See attached specifications.
- B. Must provide a complete set of specifications as part of the bid package for any alternates product that are e
- C. Provide MSDS for products that are classified as a potential hazard to workforce, district employees or the community.
- D. Disposal of packing material is the responsibility of the installer, not Troy School District. Materials should be disposed of in accordance with Local and State guidelines.

Part 3 – Execution

3.01 INSPECTION

- A. Once the installations are completed the company rep will be required to walk each site with the Director of Operations (Kenneth D. Miller) for final approval.

3.02 SAFETY GUIDELINES

- A. It is recommended that you walk the site to verify scope of work. During normal school hours all bidders will be required to check in with the main office at each of the sites before starting their inspection.
- B. Must maintain a safety zone around areas being serviced at all times.
- C. You will be required to check with the Director of Operations prior to the start of this project for approval to store or create a staging area for heavy equipment, trailers and materials.

3.03 QUALITY ASSURANCE

- A. Work areas must be kept safe, clean and organized at all times.
- B. Contractor will be responsible for any and all damage caused during the removal and/or installation process.

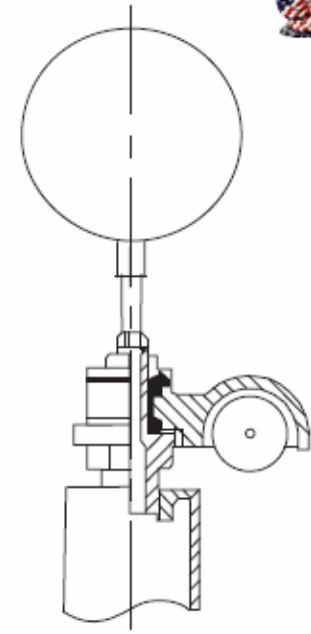
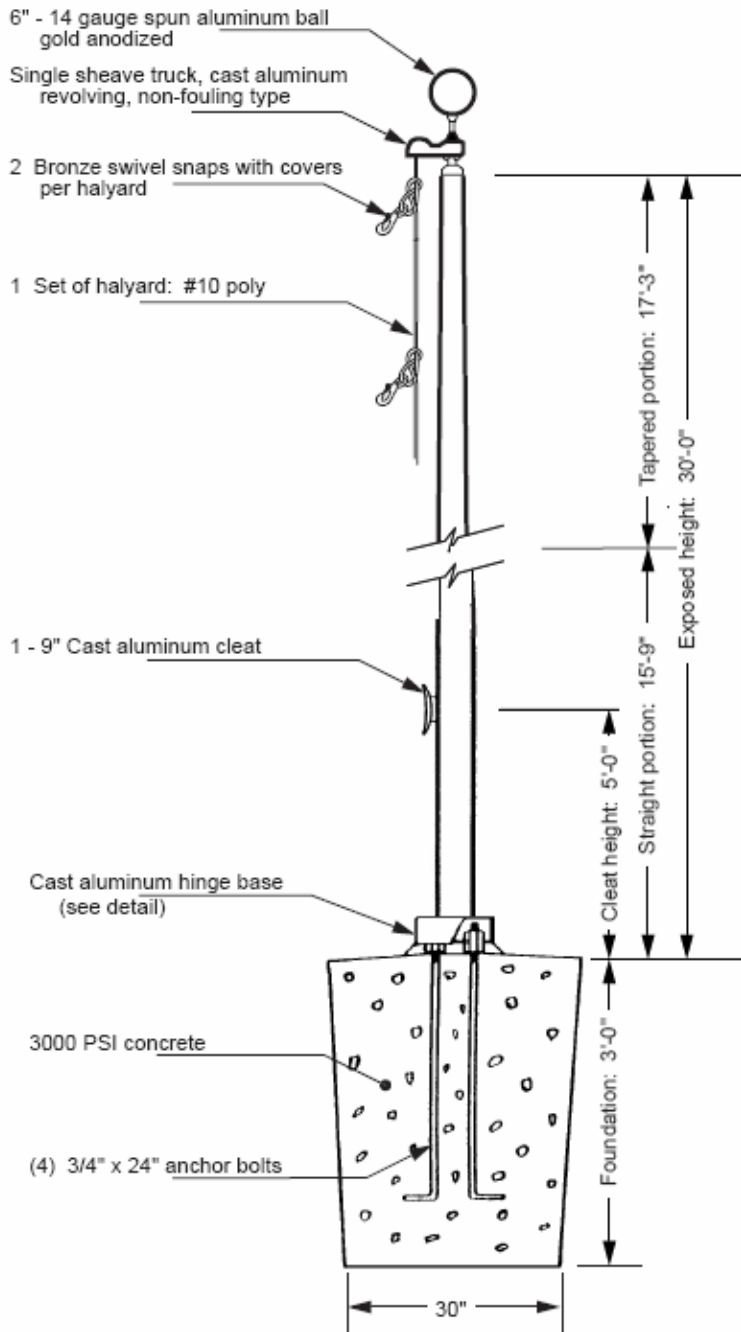
Part 4 – Bid Pricing

4.01 INCLUDED COSTS

- A. Bids must include all costs necessary to fully complete the project as specified. Bid pricing must incorporate materials, labor, freight, waste removal, site restoration, bond & insurance and all other costs associated with this project. No provision will be made after the bid opening for costs omitted from submitted pricing.
- B. Notwithstanding A. above, changes in project scope MAY result in additional costs not in original bid submission. At no time shall awarded contractor be permitted additional costs until such costs are agreed to by Troy School District in writing PRIOR to the incurrence of said costs.

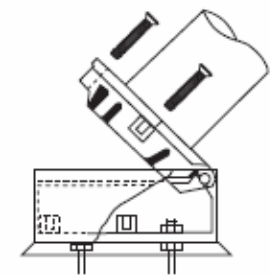
Flagpole Specifications

Model: RH 30 HSB



Truck Detail

- Aluminum body
- Stainless steel ball bearings
- Aluminum sheave
- Cast aluminum spindle



Tilting Shoe Base

- Hinged cast aluminum
- Anchor base A356-T6 pivot on a 3/4" solid aluminum pivot
- Rod base fastened with (3) 1/2" - 13x3" stainless steel allen head screws

Ground set tapered aluminum flagpole: ALLOY: 6063T6	
Overall height: 30'-0"	
Ship in 1 section	Butt diameter: 6"
Top diameter: 3-1/2"	Wall thickness: .156"
Finish: Clear Anodized Finish	

Troy School District
Flagpole Removal/Installation Project
Bid # 9537

Bemis Elementary School \$ _____

Boulan Park Middle School \$ _____

Costello Elementary School \$ _____

Hamilton Elementary School \$ _____

Leonard Elementary School \$ _____

Martell Elementary School \$ _____

Morse Elementary School \$ _____

Wass Elementary School \$ _____



STATE OF MICHIGAN

JENNIFER M. GRANHOLM
GOVERNOR

DEPARTMENT OF LABOR & ECONOMIC GROWTH
LANSING

KEITH W. COOLEY
DIRECTOR

REQUIREMENTS OF THE PREVAILING WAGES ON STATE PROJECTS ACT, PUBLIC ACT 166 OF 1965

The Michigan Department of Labor & Economic Growth determines prevailing rates pursuant to the Prevailing Wages on State Projects Act, Public Act 166 of 1965, as amended. The purpose of establishing prevailing rates is to provide minimum rates of pay that must be paid to workers on construction projects for which the state or a school district is the contracting agent and which is financed or financially supported by the state. By law, prevailing rates are compiled from the rates contained in collectively bargained agreements which cover the locations of the state projects. The official prevailing rates provide an hourly rate which includes wage and fringe benefit totals for designated construction mechanic classifications. The overtime rates also include wage and fringe benefit totals. Please pay special attention to the overtime and premium pay requirements. Prevailing wage is satisfied when wages plus fringe benefits paid to a worker are equal to or greater than the required rate.

State of Michigan responsibilities under the law:

- The department establishes the prevailing rate for each classification of construction mechanic **requested by a contracting agent** prior to contracts being let out for bid on a state project.

Contracting agent responsibilities under the law:

- If a contract is not awarded or construction does not start within 90 days of the date of the issuance of rates, a re-determination of rates must be requested by the contracting agent.
- Rates for classifications needed but not provided on the Prevailing Rate Schedule, **must** be obtained **prior** to contracts being let out for bid on a state project.
- The contracting agent, by written notice to the contractor and the sureties of the contractor known to the contracting agent, may terminate the contractor's right to proceed with that part of the contract, for which less than the prevailing rates have been or will be paid, and may proceed to complete the contract by separate agreement with another contractor or otherwise, and the original contractor and his sureties shall be liable to the contracting agent for any excess costs occasioned thereby.

Contractor responsibilities under the law:

- Every contractor and subcontractor shall keep posted on the construction site, in a conspicuous place, a copy of all prevailing rates prescribed in a contract.
- Every contractor and subcontractor shall keep certified payrolls, as used in the industry, of each and every construction mechanic, and verification of such certified payroll in writing by either a representative or auditor/certified accountant at the end of such a certified payroll. These records should include the occupation and indicate the hours worked on each project for each classification and the actual wages and benefits paid. This record shall be available for reasonable inspection by the contracting agent or the department.
- Each contractor or subcontractor is separately liable for the payment of the prevailing rate to its employees.
- The prime contractor is responsible for advising all subcontractors of the requirement to pay the prevailing rate prior to commencement of work.
- The prime contractor is secondarily liable for payment of prevailing rates that are not paid by a subcontractor.
- A construction mechanic shall only be paid the apprentice rate if registered with the United States Department of Labor, Bureau of Apprenticeship and Training and the rate is included in the contract.

Enforcement:

A person who has information of an alleged prevailing wage violation on a state project may file a complaint with the Wage & Hour Division. The department will investigate and attempt to resolve the complaint informally. During the course of an investigation, if the requested records and posting certification are not made available in compliance with Section 5 of Act 166, the investigation will be concluded and a referral to the Office of Attorney General for civil action will be made. The Office of Attorney General will pursue costs and fees associated with a lawsuit if filing is necessary to obtain records.

A violation of Act 166 may result in the contractor's name being added to the Prevailing Wage Act Violators List published on the division's website, updated monthly. This list includes the names and addresses of contractors and subcontractors the division has found in violation of Act 166 based on complaints from individuals and third parties. The Prevailing Wage Act Violators List is intended to inform contracting agents of contractors that have violated Act 166 for use in determining who should receive state-funded projects.

WAGE & HOUR DIVISION
P.O. BOX 30476 • LANSING, MICHIGAN 48909-7976
www.michigan.gov/wagehour • (517) 335-0400 • FAX (517) 335-0077



JENNIFER M. GRANHOLM
GOVERNOR

KEITH W. COOLEY
DIRECTOR

Informational Sheet: Prevailing Wages on State Projects
General Information Regarding Fringe Benefits

Certain fringe benefits **may** be credited toward the payment of the Prevailing Wage Rate:

- If a fringe benefit is paid directly to a construction mechanic
- If a fringe benefit contribution or payment is made on behalf of a construction mechanic
- If a fringe benefit, which may be provided to a construction mechanic, is pursuant to a written contract or policy
- If a fringe benefit is paid into a fund, for a construction mechanic

When a fringe benefit is not paid by an hourly rate, the hourly credit will be calculated based on the annual value of the fringe benefit divided by 2080 hours per year (52 weeks @ 40 hours per week).

The following is an example of the types of fringe benefits allowed and how an hourly credit is calculated:

Vacation	40 hours X \$14.00 per hour = \$560/2080 =	\$.27
Dental insurance	\$31.07 monthly premium X 12 mos. = \$372.84 /2080 =	\$.18
Vision insurance	\$5.38 monthly premium X 12 mos. = \$64.56/2080 =	\$.03
Health insurance	\$230.00 monthly premium X 12 mos. = \$2,760.00/2080 =	\$1.33
Life insurance	\$27.04 monthly premium X 12 mos. = \$324.48/2080 =	\$.16
Tuition	\$500.00 annual cost/2080 =	\$.24
Bonus	4 quarterly bonus/year x \$250 = \$1000.00/2080 =	\$.48
401k Employer Contribution	\$2000.00 total annual contribution/2080 =	\$.96
Total Hourly Credit		\$3.65

Other examples of the types of fringe benefits allowed:

- Sick pay
- Holiday pay
- Accidental Death & Dismemberment insurance premiums

The following are examples of items that **will not** be credited toward the payment of the Prevailing Wage Rate

- Legally required payments, such as:
 - Unemployment Insurance payments
 - Workers' Compensation Insurance payments
 - FICA (Social Security contributions, Medicare contributions)
- Reimbursable expenses, such as:
 - Clothing allowance or reimbursement
 - Uniform allowance or reimbursement
 - Gas allowance or reimbursement
 - Travel time or payment
 - Meals or lodging allowance or reimbursement
 - Per diem allowance or payment
- Other payments to or on behalf of a construction mechanic that are not wages or fringe benefits, such as:
 - Industry advancement funds
 - Financial or material loans

Official Request 792
Requestor: TROY SCHOOL DISTRICT
Project Description: FLAGPOLE REPLACEMENT
Project Number: DISTRICT WIDE

Oakland County
Official 2008 Prevailing Wage Rates for State Funded Projects

Issue Date: 5/28/2008
Contract must be awarded by: 8/26/2008

Page 1 of 22

<u>Classification</u>			Last Updated	Straight Hourly	Time and a Half	Double Time	Overtime Provision
Asbestos & Lead Abatement Laborer							
Asbestos & Lead Abatement Laborer	MLDC		7/31/2007	\$32.65	\$43.39	\$54.13	H H H X X X D Y
Asbestos & Lead Abatement, Hazardous Material Handler							
Asbestos and Lead Abatement, Hazardous Material Handler	AS207		11/28/2007	\$32.65	\$44.75	\$56.85	H H H X X X D Y
Boilermaker							
Boilermaker	BO169		11/5/2007	\$51.27	\$76.00	\$100.74	H H H H H H D Y
Apprentice Rates:							
1st 6 months			\$38.12	\$56.28	\$74.44		
2nd 6 months			\$39.17	\$57.86	\$76.54		
3rd 6 months			\$40.23	\$59.45	\$78.66		
4th 6 months			\$41.29	\$61.04	\$80.78		
5th 6 months			\$42.33	\$62.60	\$82.86		
6th 6 months			\$44.44	\$65.76	\$87.08		
7th 6 months			\$46.54	\$68.91	\$91.28		
8th 6 months			\$48.65	\$72.08	\$95.50		
Bricklayer							
Bricklayer, stone mason, pointer, cleaner, caulker	BR1		12/20/2007	\$48.96	\$73.44	\$97.92	H H D H D D D N
Apprentice Rates:							
First 6 months			\$29.49	\$44.24	\$58.98		
2nd 6 months			\$31.31	\$46.97	\$62.62		
3rd 6 months			\$33.13	\$49.70	\$66.26		
4th 6 months			\$34.95	\$52.43	\$69.90		
5th 6 months			\$36.77	\$55.16	\$73.54		
6th 6 months			\$38.59	\$57.89	\$77.18		
7th 6 months			\$40.41	\$60.62	\$80.82		
8th 6 months			\$42.23	\$63.35	\$84.46		

Official Request #: 792
 Requestor: TROY SCHOOL DISTRICT
 Project Description: FLAGPOLE REPLACEMENT
 Project Number: DISTRICT WIDE
 County: Oakland

Official Rate Schedule
Every contractor and subcontractor shall keep posted on the construction site, in a conspicuous place, a copy of all prevailing wage and fringe benefit rates prescribed in a contract.

Official 2008 Prevailing Wage Rates for State Funded Projects

Issue Date: 5/28/2008

Contract must be awarded by: 8/26/2008

Page 2 of 22

<u>Classification</u>	Name	Description	Last Updated	Straight Hourly	Time and a Half	Double Time	Overtime Provision
-----------------------	------	-------------	--------------	-----------------	-----------------	-------------	--------------------

Carpenter

Carpet and Resilient Floor Layer, (does not include installation of prefabricated formica & parquet flooring which is to be paid carpenter rate)	CA1045	1/9/2008	\$42.24	\$59.86	\$77.47	H H H H D D D D N
--	--------	----------	---------	---------	---------	-------------------

Apprentice Rates:

1st 6 months	\$21.10	\$28.15	\$35.19
2nd 6 months	\$24.62	\$33.42	\$42.23
3rd 6 months	\$26.38	\$36.07	\$45.75
4th 6 months	\$28.15	\$38.72	\$49.29
5th 6 months	\$29.91	\$41.36	\$52.81
6th 6 months	\$31.67	\$44.01	\$56.33
7th 6 months	\$33.42	\$46.63	\$59.83
8th 6 months	\$35.19	\$49.28	\$63.37

Carpenter	CA687Z1	1/14/2008	\$46.58	\$66.30	\$86.02	H H D H D D D D Y
-----------	---------	-----------	---------	---------	---------	-------------------

Apprentice Rates:

1st Year	\$28.84	\$39.69	\$50.54
3rd 6 months	\$30.81	\$42.64	\$54.48
4th 6 months	\$32.78	\$45.60	\$58.42
5th 6 months	\$34.75	\$48.56	\$62.36
6th 6 months	\$36.73	\$51.53	\$66.32
7th 6 months	\$38.70	\$54.49	\$70.26
8th 6 months	\$40.66	\$57.43	\$74.18

Cement Mason

Cement Mason	CE514	7/20/2007	\$43.95	\$61.87	\$79.78	H H D H H H H D N
--------------	-------	-----------	---------	---------	---------	-------------------

Apprentice Rates:

1st 6 months	\$25.64	\$34.60	\$43.56
2nd 6 months	\$27.45	\$37.31	\$47.18
3rd 6 months	\$31.02	\$42.68	\$54.32
4th 6 months	\$34.61	\$48.05	\$61.50
5th 6 months	\$36.40	\$50.74	\$65.08
6th 6 months	\$39.99	\$56.13	\$72.26

Official Request #: 792
 Requestor: TROY SCHOOL DISTRICT
 Project Description: FLAGPOLE REPLACEMENT
 Project Number: DISTRICT WIDE
 County: Oakland

Official Rate Schedule
Every contractor and subcontractor shall keep posted on the construction site, in a conspicuous place, a copy of all prevailing wage and fringe benefit rates prescribed in a contract.

Official 2008 Prevailing Wage Rates for State Funded Projects

Issue Date: 5/28/2008

Contract must be awarded by: 8/26/2008

Page 3 of 22

<u>Classification</u>	Last Updated	Straight Hourly	Time and a Half	Double Time	Overtime Provision
Name Description					

Drywall					
Drywall Taper	PT-22-D		\$38.45	\$50.90	\$63.35 H H D H D D D D N

9/1/2006

Apprentice Rates:

First 3 months	\$26.00	\$32.23	\$38.45
Second 3 months	\$28.49	\$35.96	\$43.43
Second 6 months	\$30.98	\$39.69	\$48.41
Third 6 months	\$33.47	\$43.43	\$53.39
4th 6 months	\$34.71	\$45.29	\$55.87

Electrician

Road Way Electrical Work	EC-17		\$45.37	\$65.63	\$85.90 H H H H H H H D Y
Double time due after 16 hours on any calendar day and all hours Sunday.					

11/19/2007

Apprentice Rates:

1st 6 months	\$29.17	\$41.34	\$53.50
2nd 6 months	\$31.19	\$44.36	\$57.54
3rd 6 months	\$33.21	\$47.40	\$61.58
4th 6 months	\$35.23	\$50.43	\$65.62
5th 6 months	\$37.25	\$53.46	\$69.66
6th 6 months	\$41.32	\$59.57	\$77.80

Subdivision of county Holly not included
Inside Wireman

	EC-58-IW		\$53.62	\$71.49	\$89.36 H H H H H H H D N
--	----------	--	---------	---------	---------------------------

1/7/2008

Apprentice Rates:

0-1000 hours	\$32.18	\$39.33	\$46.48
1000-2000 hours	\$33.97	\$42.02	\$50.06
2000-3500 hours	\$35.75	\$44.68	\$53.62
3500-5000 hours	\$37.54	\$47.38	\$57.20
5000-6500 hours	\$41.12	\$52.74	\$64.36
6500-8000 hours	\$44.68	\$58.08	\$71.48

Sound and Communication Installer/Technician	EC-58-SC		\$32.54	\$44.20	\$55.86 H H H H H H H D N
--	----------	--	---------	---------	---------------------------

1/7/2008

Apprentice Rates:

Period 1	\$20.88	\$26.71	\$32.54
Period 2	\$22.04	\$28.46	\$34.86
Period 3	\$23.21	\$30.21	\$37.20
Period 4	\$24.38	\$31.96	\$39.54
Period 5	\$25.55	\$33.72	\$41.88
Period 6	\$26.71	\$35.46	\$44.20

Official Request #: 792
Requestor: TROY SCHOOL DISTRICT
Project Description: FLAGPOLE REPLACEMENT

Project Number: DISTRICT WIDE
County: Oakland

Official Rate Schedule
Every contractor and subcontractor shall keep posted on the construction site, in a conspicuous place, a copy of all prevailing wage and fringe benefit rates prescribed in a contract.

Official 2008 Prevailing Wage Rates for State Funded Projects

Issue Date: 5/28/2008

Contract must be awarded by: 8/26/2008

Page 4 of 22

Classification Name Description	Last Updated	Straight Hourly	Time and a Half	Double Time	Overtime Provision
Elevator Constructor					
Elevator Constructor	EL 36	\$56.46		\$94.99	D D D D D D D Y
Elevator Constructor	8/7/2007				
Apprentice Rates:					
1st Year Apprentice		\$37.74	\$58.93		
2nd Year Apprentice		\$41.90	\$66.94		
3rd Year Apprentice		\$43.98	\$70.95		
4th Year Apprentice		\$48.14	\$78.96		
Glazier					
Glazier	GL-357	\$42.60	\$56.83		H H H H H H H Y
	1/7/2008				
Apprentice Rates:					
1st 6 months		\$28.37	\$35.48		
2nd 6 months		\$29.80	\$37.63		
3rd 6 months		\$32.64	\$41.89		
4th 6 months		\$34.07	\$44.03		
5th 6 months		\$35.49	\$46.16		
6th 6 months		\$36.91	\$48.29		
7th 6 months		\$38.33	\$50.42		
8th 6 months		\$41.18	\$54.69		
Heat and Frost Insulator					
Spray Insulation	AS25S	\$20.14	\$29.14		H H H H H H H N
	3/5/2007				
Heat and Frost Insulator and Asbestos Worker					
Heat and Frost Insulators and Asbestos Workers	AS25	\$48.20	\$62.86	\$77.52	H H H H H H D Y
	3/5/2007				
Apprentice Rates:					
1st Year		\$29.59	\$37.66	\$45.72	
2nd Year		\$37.60	\$47.13	\$56.66	
3rd Year		\$39.40	\$49.66	\$59.92	
4th Year		\$42.34	\$54.07	\$65.80	
Ironworker					
Fence Erecting	IR-25-F	\$41.03	\$61.26	\$81.49	H H D H H H D Y
	10/4/2007				

Official Request #: 792
 Requestor: TROY SCHOOL DISTRICT
 Project Description: FLAGPOLE REPLACEMENT
 Project Number: DISTRICT WIDE
 County: Oakland

Official Rate Schedule
 Every contractor and subcontractor shall keep posted on the construction site, in a conspicuous place, a copy of all prevailing wage and fringe benefit rates prescribed in a contract.

Official 2008 Prevailing Wage Rates for State Funded Projects

Issue Date: 5/28/2008

Contract must be awarded by: 8/26/2008

Page 5 of 22

Classification Name Description	Last Updated	Straight Hourly	Time and a Half	Double Time	Overtime Provision
Siding, Glazing, Curtain Wall	IR-25-GZ1 3/28/2008	\$39.86	\$59.54	\$79.22	H H D H H H D D Y
Apprentice Rates:					
Level 1		\$24.72	\$36.54	\$48.34	
Level 2		\$26.69	\$39.49	\$52.28	
Level 3		\$28.65	\$42.43	\$56.20	
Level 4		\$30.62	\$45.39	\$60.14	
Level 5		\$32.59	\$48.34	\$64.08	
Level 6		\$34.56	\$51.29	\$68.02	
Pre-engineered Metal Work	IR-25-PE-Z1-Z2 5/8/2008	\$41.69	\$52.37	\$63.04	X X H X X X X D Y
Apprentice Rates:					
1st level		\$23.47	\$28.51	\$33.55	
2nd level		\$25.12	\$30.85	\$36.58	
3rd level		\$26.78	\$33.19	\$39.61	
4th level		\$28.44	\$35.55	\$42.66	
5th level		\$30.10	\$37.90	\$45.70	
6th level		\$31.36	\$39.65	\$47.93	
Reinforced Iron Work	IR-25-RF 10/4/2007	\$48.78	\$72.95	\$97.11	H H D H D D D D N
Apprentice Rates:					
Level 1		\$30.05	\$44.56	\$59.05	
Level 2		\$32.46	\$48.16	\$63.87	
Level 3		\$34.88	\$51.80	\$68.71	
Level 4		\$37.30	\$55.42	\$73.55	
Level 5		\$39.72	\$59.06	\$78.39	
Level 6		\$42.13	\$62.67	\$83.21	
Rigging Work	IR-25-RIG 10/4/2007	\$53.98	\$80.75	\$107.52	H H H H H H D N
Apprentice Rates:					
Level 1&2		\$30.62	\$45.34	\$60.07	
Level 3		\$33.30	\$49.37	\$65.43	
Level 4		\$35.97	\$53.37	\$70.77	
Level 5		\$38.66	\$57.41	\$76.15	
Level 6		\$41.33	\$61.41	\$81.49	
Decking	IR-25-SD 10/4/2007	\$46.40	\$69.32	\$92.23	H H D H H H D D Y

Official Request #: 792
 Requestor: TROY SCHOOL DISTRICT
 Project Description: FLAGPOLE REPLACEMENT
 Project Number: DISTRICT WIDE
 County: Oakland

Official Rate Schedule
 Every contractor and subcontractor shall keep posted on the construction site, in a conspicuous place, a copy of all prevailing wage and fringe benefit rates prescribed in a contract.

Official 2008 Prevailing Wage Rates for State Funded Projects

Issue Date: 5/28/2008

Contract must be awarded by: 8/26/2008

Page 6 of 22

Classification Name Description		Last Updated	Straight Hourly	Time and a Half	Double Time	Overtime Provision
Structural, ornamental, conveyor, welder and pre-cast Apprentice rates apply to structural, conveyer, fence, glazing, reinforced, rigging, & siding decking	IR-25-STR	10/4/2007	\$54.11	\$80.88	\$107.65	H H D H H H D D Y
Apprentice Rates:						
Level 1		\$27.34	\$40.73	\$54.11		
Level 2		\$30.02	\$44.74	\$59.47		
Level 3		\$32.70	\$48.77	\$64.83		
Level 4		\$35.37	\$52.77	\$70.17		
Level 5		\$38.05	\$56.80	\$75.53		
Level 6		\$40.73	\$60.81	\$80.89		
Level 7		\$43.39	\$64.80	\$86.21		
Level 8		\$46.08	\$68.83	\$91.59		
Industrial Door erection & construction	IR-25-STR-D	3/28/2008	\$35.72	\$47.34	\$58.96	H H D H H H D D Y
Laborer						
Construction Laborer, Mason Tender, Carpenter Tender, Drywall Handler, Cement Finisher tender, concrete chute and concrete Bucket Handler, Concrete Laborer, Demolition Laborer	L1076-A-A	6/5/2007	\$37.62	\$53.35	\$69.07	H H D H D D D D Y
Apprentice Rates:						
0-1,000 work hours		\$31.98	\$44.89	\$57.79		
1,001-2,000 work hours		\$33.11	\$46.58	\$60.05		
2,001-3,000 work hours		\$34.24	\$48.28	\$62.31		
3,001-4,000 work hours		\$36.49	\$51.66	\$66.81		
Signal man (on sewer & caisson work); air,electric or gasoline tool operator (including concrete vibrator operator,acetylene torch & air hammer operator); scaffold builder, caisson worker	L1076-A-B	6/5/2007	\$37.88	\$53.74	\$69.59	H H D H D D D D Y
Lansing Burner, Blaster & Powder Man	L1076-A-C	6/5/2007	\$38.37	\$54.47	\$70.57	H H D H D D D D Y
Furnance battery heater tender, burning bar & oxy- acetylene gun, expediter man, top man and/or bottom man (blast furnace work)	L1076-A-D	6/5/2007	\$38.12	\$54.10	\$70.07	H H D H D D D D Y
Cleaner/ sweeper laborer, furniture laborer	L1076-A-E	6/5/2007	\$32.17	\$45.17	\$58.17	H H D H D D D D Y
Demolition Laborer	L1076-D	6/5/2007	\$37.62	\$53.35	\$69.07	H H D H D D D D Y

Official Request #: 792
 Requestor: TROY SCHOOL DISTRICT
 Project Description: FLAGPOLE REPLACEMENT
 Project Number: DISTRICT WIDE
 County: Oakland

Official Rate Schedule
Every contractor and subcontractor shall keep posted on the construction site, in a conspicuous place, a copy of all prevailing wage and fringe benefit rates prescribed in a contract.

Official 2008 Prevailing Wage Rates for State Funded Projects

Issue Date: 5/28/2008

Contract must be awarded by: 8/26/2008

Page 7 of 22

Classification Name Description	Last Updated	Straight Hourly	Time and a Half	Double Time	Overtime Provision
Plasterer Tender, Plastering Machine Operator	LPT-1 7/3/2007	\$39.00	\$55.42	\$71.83	H H D H D D D D N
Apprentice Rates:					
0 - 1,000 hours		\$31.99	\$44.90	\$57.81	
1,001 - 2,000 hours		\$33.11	\$46.58	\$60.05	
2,001 - 3,000 hours		\$34.24	\$48.28	\$62.31	
3,001 - 4,000 hours		\$36.49	\$51.66	\$66.81	
Laborer - Hazardous					
Class A Laborer - performing work in conjunction with site preparation and other preliminary work prior to actual removal, handling, or containment of hazardous waste substances not requiring use of personal protective equipment required by state or federal regulations; or a laborer performing work in conjunction with the removal, handling, or containment of hazardous waste substances when used of personal protective equipment level "D" is required.	LHAZ-Z2-A 10/11/2007	\$37.62	\$53.35	\$69.07	H H H H H H D Y
Apprentice Rates:					
0-1,000 work hours		\$31.98	\$44.89	\$57.79	
1,001-2,000 work hours		\$33.11	\$46.58	\$60.05	
2,001-3,000 work hours		\$34.24	\$48.28	\$62.31	
3,001-4,000 work hours		\$36.49	\$51.66	\$66.81	
Class B Laborer - performing work in conjunction with the removal, handling, or containment of hazardous waste substances when the use of personal protective equipment levels "A", "B" or "C" is required.	LHAZ-Z2-B 10/11/2007	\$38.62	\$54.85	\$71.07	H H H H H H D Y
Apprentice Rates:					
0-1,000 work hours		\$32.74	\$46.03	\$59.31	
1,001-2,000 work hours		\$33.91	\$47.78	\$61.65	
2,001-3,000 work hours		\$35.09	\$49.56	\$64.01	
3,001-4,000 work hours		\$37.44	\$53.08	\$68.71	
Laborer Underground - Tunnel, Shaft & Caisson					
Class I - Tunnel, shaft and caisson laborer, dump man, shanty man, hog house tender, testing man (on gas), and watchman.	LAUCT-Z1-1 9/6/2007	\$33.54	\$44.30	\$55.05	H H H H H H D Y
Apprentice Rates:					
0-1,000 work hours		\$28.70	\$37.04	\$45.37	
1,001-2,000 work hours		\$29.67	\$38.49	\$47.31	
2,001-3,000 work hours		\$30.64	\$39.95	\$49.25	
3,001-4,000 work hours		\$32.57	\$42.85	\$53.11	

Official Request #: 792
 Requestor: TROY SCHOOL DISTRICT
 Project Description: FLAGPOLE REPLACEMENT
 Project Number: DISTRICT WIDE
 County: Oakland

Official Rate Schedule
 Every contractor and subcontractor shall keep posted on the construction site, in a conspicuous place, a copy of all prevailing wage and fringe benefit rates prescribed in a contract.

Official 2008 Prevailing Wage Rates for State Funded Projects

Issue Date: 5/28/2008

Contract must be awarded by: 8/26/2008

Page 8 of 22

Classification Name Description	Last Updated	Straight Hourly	Time and a Half	Double Time	Overtime Provision
Class II - Manhole, headwall, catch basin builder, bricklayer tender, mortar man, material mixer, fence erector, and guard rail builder.	LAUCT-Z1-2 9/6/2007	\$33.65	\$44.46	\$55.27	H H H H H H D Y

Apprentice Rates:

0-1,000 work hours	\$28.79	\$37.17	\$45.55
1,001-2,000 work hours	\$29.76	\$38.74	\$47.71
2,001-3,000 work hours	\$30.73	\$40.09	\$49.43
3,001-4,000 work hours	\$32.68	\$43.01	\$53.33

Class III - Air tool operator (jack hammer man, bush hammer man and grinding man), first bottom man, second bottom man, cage tender, car pusher, carrier man, concrete man, concrete form man, concrete repair man, cement invert laborer, cement finisher, concrete shoveler, conveyor man, floor man, gasoline and electric tool operator, gunnite man, grout operator, welder, heading dinky man, inside lock tender, pea gravel operator, pump man, outside lock tender, scaffold man, top signal man, switch man, track man, tugger man, utility man, vibrator man, winch operator, pipe jacking man, wagon drill and air track operator and concrete saw operator (under 40	LAUCT-Z1-3 9/6/2007	\$33.71	\$44.55	\$55.39	H H H H H H D Y
---	------------------------	---------	---------	---------	-----------------

Apprentice Rates:

0-1,000 work hours	\$28.83	\$37.23	\$45.63
1,001-2,000 work hours	\$29.81	\$38.71	\$47.59
2,001-3,000 work hours	\$30.78	\$40.16	\$49.53
3,001-4,000 work hours	\$32.73	\$43.09	\$53.43

Class IV - Tunnel, shaft and caisson mucker, bracer man, liner plate man, long haul dinky driver and well point man.	LAUCT-Z1-4 9/6/2007	\$33.89	\$44.82	\$55.75	H H H H H H D Y
--	------------------------	---------	---------	---------	-----------------

Apprentice Rates:

0-1,000 work hours	\$28.97	\$37.45	\$45.91
1,001-2,000 work hours	\$29.95	\$38.91	\$47.87
2,001-3,000 work hours	\$30.94	\$40.40	\$49.85
3,001-4,000 work hours	\$32.91	\$43.35	\$53.79

Class V - Tunnel, shaft and caisson miner, drill runner, keyboard operator, power knife operator, reinforced steel or mesh man (e.g. wire mesh, steel mats, dowel bars)	LAUCT-Z1-5 9/6/2007	\$34.14	\$45.20	\$56.25	H H H H H H D Y
---	------------------------	---------	---------	---------	-----------------

Apprentice Rates:

0-1,000 work hours	\$29.16	\$37.73	\$46.29
1,001-2,000 work hours	\$30.15	\$39.21	\$48.27
2,001-3,000 work hours	\$31.15	\$40.71	\$50.27
3,001-4,000 work hours	\$33.14	\$43.70	\$54.25

Official Request #: 792

Requestor: TROY SCHOOL DISTRICT

Project Description: FLAGPOLE REPLACEMENT

Project Number: DISTRICT WIDE

County: Oakland

Official Rate Schedule

Every contractor and subcontractor shall keep posted on the construction site, in a conspicuous place, a copy of all prevailing wage and fringe benefit rates prescribed in a contract.

Official 2008 Prevailing Wage Rates for State Funded Projects

Issue Date: 5/28/2008

Contract must be awarded by: 8/26/2008

Page 9 of 22

Classification Name Description	Last Updated	Straight Hourly	Time and a Half	Double Time	Overtime Provision
Class VI - Dynamite man and powder man.	LAUCT-Z1-6 9/6/2007	\$34.47	\$45.69	\$56.91	H H H H H H H D Y
Apprentice Rates:					
0-1,000 work hours		\$29.40	\$38.09	\$46.77	
1,001-2,000 work hours		\$30.42	\$39.62	\$48.81	
2,001-3,000 work hours		\$31.43	\$41.13	\$50.83	
3,001-4,000 work hours		\$33.46	\$44.18	\$54.89	
Class VII - Restoration laborer, seeding, sodding, planting, cutting, mulching and topsoil grading and the restoration of property such as replacing mail boxes, wood chips, planter boxes and flagstones.	LAUCT-Z1-7 9/6/2007	\$27.75	\$35.61	\$43.47	H H H H H H H D Y
Apprentice Rates:					
0-1,000 work hours		\$24.36	\$30.53	\$36.69	
1,001-2,000 work hours		\$25.04	\$31.55	\$38.05	
2,001-3,000 work hours		\$25.72	\$32.57	\$39.41	
3,001-4,000 work hours		\$27.07	\$34.59	\$42.11	
Landscape Laborer Landscape Specialist includes air, gas, and diesel equipment operator, lawn sprinkler installer on landscaping work where seeding, sodding, planting, cutting, trimming, backfilling, rough grading or	LLAN-Z1-A 7/3/2007	\$24.38	\$33.81	\$43.24	X X H X X X H D Y
All work pertaining to landscaping where seeding, sodding, planting, cutting, trimming, backfilling, rough grading or maintaining of landscape projects occurs which may include small power tool operator, lawn sprinkler installer helper, material mover, & truck driver.	LLAN-Z1-B 7/3/2007	\$20.16	\$27.48	\$34.80	X X H X X X H D Y
Marble Finisher Marble Finisher	TT32-MF 7/25/2007	\$39.57	\$49.90	\$60.23	H H D H D D D D N
Apprentice Rates:					
Level 1		\$19.30	\$24.91	\$30.52	
Level 2		\$20.40	\$26.56	\$32.72	
Level 3		\$24.67	\$31.27	\$37.87	
Level 4		\$26.01	\$33.28	\$40.55	
Level 5		\$27.38	\$34.86	\$42.34	
Level 6		\$28.85	\$36.70	\$44.56	
Level 7		\$30.39	\$38.30	\$46.21	
Level 8		\$31.75	\$39.92	\$48.09	

Official Request #: 792
 Requestor: TROY SCHOOL DISTRICT
 Project Description: FLAGPOLE REPLACEMENT
 Project Number: DISTRICT WIDE
 County: Oakland

Official Rate Schedule
 Every contractor and subcontractor shall keep posted on the construction site, in a conspicuous place, a copy of all prevailing wage and fringe benefit rates prescribed in a contract.

Official 2008 Prevailing Wage Rates for State Funded Projects

Issue Date: 5/28/2008

Contract must be awarded by: 8/26/2008

Page 10 of 22

<u>Classification</u>										
Name	Description	Last Updated	Straight Hourly	Time and a Half	Double Time	Overtime Provision				
Marble Mason										
Marble Mason		TT32-MM	\$45.76	\$59.19	\$72.61	H	H	D	H	D
		7/25/2007				D	D	D	D	D
Apprentice Rates:										
	Level 1		\$24.86	\$31.89	\$38.93					
	Level 2		\$27.65	\$35.43	\$43.21					
	Level 3		\$30.50	\$38.57	\$46.64					
	Level 4		\$33.00	\$41.96	\$50.92					
	Level 5		\$35.10	\$44.33	\$53.56					
	Level 6		\$38.52	\$49.39	\$60.27					
	Level 7		\$39.37	\$50.53	\$61.69					
	Level 8		\$40.22	\$51.81	\$63.39					
Operating Engineer										
Crane with boom & jib or leads 120' or longer		EN-324-A120	\$49.26	\$65.97	\$82.68	H	H	D	H	D
		6/5/2007				D	D	D	D	Y
Crane with boom & jib or leads 140' or longer		EN-324-A140	\$50.08	\$67.20	\$84.32	H	H	D	H	D
		6/5/2007				D	D	D	D	Y
Crane with boom & jib or leads 220' or longer		EN-324-A220	\$50.38	\$67.65	\$84.92	H	H	D	H	D
		6/5/2007				D	D	D	D	Y
Crane with boom & jib or leads 300' or longer		EN-324-A300	\$51.88	\$69.90	\$87.92	H	H	D	H	D
		6/5/2007				D	D	D	D	Y
Crane with boom & jib or leads 400' or longer		EN-324-A400	\$53.38	\$72.15	\$90.92	H	H	D	H	D
		6/5/2007				D	D	D	D	Y
Compressor or welding machine		EN-324-CW	\$38.41	\$49.70	\$60.98	H	H	D	H	D
		6/5/2007				D	D	D	D	Y
Forklift, lull, extend-a-boom forklift		EN-324-FL	\$45.72	\$60.66	\$75.60	H	H	D	H	D
		6/5/2007				D	D	D	D	Y
Fireman or oiler		EN-324-FO	\$37.38	\$48.15	\$58.92	H	H	D	H	D
		6/5/2007				D	D	D	D	Y
Regular crane, job mechanic, concrete pump		EN-324-RC	\$48.40	\$64.68	\$80.96	H	H	D	H	D
		6/5/2007				D	D	D	D	Y

Official Request #: 792
 Requestor: TROY SCHOOL DISTRICT
 Project Description: FLAGPOLE REPLACEMENT
 Project Number: DISTRICT WIDE
 County: Oakland

Official Rate Schedule
 Every contractor and subcontractor shall keep posted on the construction site, in a conspicuous place, a copy of all prevailing wage and fringe benefit rates prescribed in a contract.

Official 2008 Prevailing Wage Rates for State Funded Projects

Issue Date: 5/28/2008

Contract must be awarded by: 8/26/2008

Page 11 of 22

<u>Classification</u>	Name	Description	Last Updated	Straight Hourly	Time and a Half	Double Time	Overtime Provision
	Regular engineer, hydro-excavator, remote controlled concrete breaker	EN-324-RE	6/5/2007	\$47.43	\$63.23	\$79.02	H H D H D D D D Y

Apprentice Rates:

Period 1	\$37.85	\$48.90	\$59.96
Period 2	\$39.43	\$51.28	\$63.12
Period 3	\$41.02	\$53.66	\$66.30
Period 4	\$42.59	\$56.01	\$69.44
Period 5	\$44.17	\$58.39	\$72.60
Period 6	\$45.76	\$60.77	\$75.78

Operating Engineer - Marine Construction

Diver/Wet Tender, Engineer (hydraulic dredge)	GLF-1	1/8/2008	\$51.76	\$67.91	\$84.06	X X H H H H H D Y
---	-------	----------	---------	---------	---------	-------------------

Holidays paid at \$100.21 per hour

Subdivision of county all Great Lakes, islands therein, & connecting & tributary waters

Crane/Backhoe Operator, Mechanic/Welder, Assistant Engineer (hydraulic dredge), Leverman (hydraulic dredge), Diver Tender	GLF-2	1/8/2008	\$50.26	\$65.66	\$81.06	X X H H H H H D Y
---	-------	----------	---------	---------	---------	-------------------

Holidays paid \$96.46 per hour

Subdivision of county All Great Lakes, islands therein, & connecting & tributary waters

Deck Equipment Operator, Machineryman, Maintenance of Crane (over 50 ton capacity) or Backhoe (115,000 lbs. or more), Tug/Launch Operator, Loader, Dozer and like equipment on Barge, Breakwater Wall, Slip/Doc or Scow, Deck Machinery	GLF-3	1/8/2008	\$46.91	\$60.64	\$74.36	X X H H H H H D Y
---	-------	----------	---------	---------	---------	-------------------

Holidays paid at \$88.08 per hour

Subdivision of county All Great Lakes, islands therein, & connecting & tributary waters

Deck Equipment Operator, (Machineryman/Fireman), (4 equipment units or more), Deck Hand, Deck Engineer, & Crane Maintenance 50 ton capacity and under or Backhoe weighing 115,000 lbs or less, Assistant Tug Operator	GLF-4	1/8/2008	\$42.26	\$53.66	\$65.06	X X H H H H H D Y
---	-------	----------	---------	---------	---------	-------------------

Holidays paid at \$76.46 per hour

Subdivision of county All Great Lakes, islands therein, & connecting & tributary waters

Official Request #: 792

Requestor: TROY SCHOOL DISTRICT

Project Description: FLAGPOLE REPLACEMENT

Project Number: DISTRICT WIDE

County: Statewide

Official Rate Schedule

Every contractor and subcontractor shall keep posted on the construction site, in a conspicuous place, a copy of all prevailing wage and fringe benefit rates prescribed in a contract.

Official 2008 Prevailing Wage Rates for State Funded Projects

Issue Date: 5/28/2008

Contract must be awarded by: 8/26/2008

Page 12 of 22

Classification	Last Updated	Straight Hourly	Time and a Half	Double Time	Overtime Provision
Name	Description				

Operating Engineer Hazardous Waste Class I

Level A - Fully encapsulating chemical resistant suit w/ pressure demand, full face piece SCBA or pressure demand supplied air respirator w/ escape SCBA. The highest available level of respiratory, skin and eye	EN-324-HWCI-Z1A 4/3/2008	\$47.34	\$63.11	\$78.87	H H H H H H D Y
--	-----------------------------	---------	---------	---------	-----------------

Apprentice Rates:

1st 6 months	\$37.78	\$48.81	\$59.85
2nd 6 months	\$39.36	\$51.19	\$63.01
3rd 6 months	\$40.94	\$53.56	\$66.17
4th 6 months	\$42.52	\$55.92	\$69.33
5th 6 months	\$44.09	\$58.28	\$72.47
6th 6 months	\$45.67	\$60.66	\$75.63

Level B & C protection. B - Pressure demand, full face SCBA or pressure demand supplied air respirator w/ escape SCBA w/chemical resistant clothing. C - Full face piece, air purifying canister-equipped respirator w/chemical resistant clothing.	EN-324-HWCI-Z1B 4/3/2008	\$46.39	\$61.68	\$76.97	H H H H H H D Y
---	-----------------------------	---------	---------	---------	-----------------

Apprentice Rates:

1st 6 months	\$37.11	\$47.82	\$58.51
2nd 6 months	\$38.64	\$50.11	\$61.57
3rd 6 months	\$40.17	\$52.40	\$64.63
4th 6 months	\$41.70	\$54.70	\$67.69
5th 6 months	\$43.23	\$57.00	\$70.75
6th 6 months	\$44.76	\$59.29	\$73.81

Level D - Coveralls, safety boots, glasses or chemical splash goggles and hard hats.	EN-324-HWCI-Z1D 3/24/2008	\$45.09	\$59.73	\$74.37	H H H H H H D Y
--	------------------------------	---------	---------	---------	-----------------

Apprentice Rates:

1st 6 months	\$36.20	\$46.45	\$56.69
2nd 6 months	\$37.68	\$48.67	\$59.65
3rd 6 months	\$39.14	\$50.86	\$62.57
4th 6 months	\$40.60	\$53.05	\$65.49
5th 6 months	\$42.06	\$55.23	\$68.41
6th 6 months	\$43.53	\$57.44	\$71.35

Official Request #: 792
 Requestor: TROY SCHOOL DISTRICT
 Project Description: FLAGPOLE REPLACEMENT

 Project Number: DISTRICT WIDE
 County: Oakland

Official Rate Schedule
 Every contractor and subcontractor shall keep posted on the construction site, in a conspicuous place, a copy of all prevailing wage and fringe benefit rates prescribed in a contract.

Official 2008 Prevailing Wage Rates for State Funded Projects

Issue Date: 5/28/2008

Contract must be awarded by: 8/26/2008

Page 13 of 22

Classification Name Description	Last Updated	Straight Hourly	Time and a Half	Double Time	Overtime Provision
Level D When Capping Landfill Coveralls, safety boots, glasses or chemical splash goggles and hard hats.	EN-324-HWCII-Z1DCL 3/24/2008	\$44.84	\$59.36	\$73.87	H H H H H H D Y
Apprentice Rates:					
1st 6 months		\$36.03	\$46.19	\$56.35	
2nd 6 months		\$37.48	\$48.37	\$59.25	
3rd 6 months		\$38.93	\$50.54	\$62.15	
4th 6 months		\$40.38	\$52.72	\$65.05	
5th 6 months		\$41.84	\$54.91	\$67.97	
6th 6 months		\$43.29	\$57.08	\$70.87	
Operating Engineer Hazardous Waste Class II					
Level A - Fully encapsulating chemical resistant suit w/ pressure demand, full face piece SCBA or pressure demand supplied air respirator w/ escape SCBA. The highest available level of respiratory, skin and eye	EN-324-HWCII-Z1A 4/3/2008	\$43.11	\$56.76	\$70.41	H H H H H H D Y
Level B & C protection. B - Pressure demand, full face SCBA or pressure demand supplied air respirator w/ escape SCBA w/chemical resistant clothing. C - Full face piece, air purifying canister-equipped respirator w/chemical resistant clothing.	EN-324-HWCII-Z1B 3/24/2008	\$42.16	\$55.34	\$68.51	H H H H H H D Y
Level D - Coveralls, safety boots, glasses or chemical splash goggles and hard hats.	EN-324-HWCII-Z1D 3/24/2008	\$40.86	\$53.39	\$65.91	H H H H H H D Y
Level D When Capping Landfill Coveralls, safety boots, glasses or chemical splash goggles and hard hats.	EN-324-HWCII-Z1DCL 3/25/2008	\$40.61	\$53.01	\$65.41	H H H H H H D Y
Operating Engineer Hazardous Waste Crane w/ Boom & Jib leads 140' or longer					
Level A - Fully encapsulating chemical resistant suit w/ pressure demand, full face piece SCBA or pressure demand supplied air respirator w/ escape SCBA. The highest available level of respiratory, skin and eye	EN-324-HW140-Z1A 4/3/2008	\$49.99	\$67.08	\$84.17	H H H H H H D Y
Level B & C protection. B - Pressure demand, full face SCBA or pressure demand supplied air respirator w/ escape SCBA w/chemical resistant clothing. C - Full face piece, air purifying canister-equipped respirator w/chemical resistant clothing.	EN-324-HW140-Z1B 3/24/2008	\$49.04	\$65.66	\$82.27	H H H H H H D Y
Level D Coveralls, safety boots, glasses or chemical splash goggles and hard hats.	EN-324-HW140-Z1D 3/24/2008	\$47.74	\$63.71	\$79.67	H H H H H H D Y

Official Request #: 792
 Requestor: TROY SCHOOL DISTRICT
 Project Description: FLAGPOLE REPLACEMENT
 Project Number: DISTRICT WIDE
 County: Oakland

Official Rate Schedule
Every contractor and subcontractor shall keep posted on the construction site, in a conspicuous place, a copy of all prevailing wage and fringe benefit rates prescribed in a contract.

Official 2008 Prevailing Wage Rates for State Funded Projects

Issue Date: 5/28/2008

Contract must be awarded by: 8/26/2008

Page 14 of 22

Classification Name Description	Last Updated	Straight Hourly	Time and a Half	Double Time	Overtime Provision
Level D When Capping Landfill Coveralls, safety boots, glasses or chemical splash goggles and hard hats.	EN-324-HW140-Z1DCL 3/25/2008	\$47.49	\$63.33	\$79.17	H H H H H H H D Y
Operating Engineer Hazardous Waste Crane w/ Boom & Jib leads 220' or longer					
Level A - Fully encapsulating chemical resistant suit w/ pressure demand, full face piece SCBA or pressure demand supplied air respirator w/ escape SCBA. The highest available level of respiratory, skin and eye	EN-324-HW220-Z1A 4/3/2008	\$50.29	\$67.53	\$84.77	H H H H H H H D Y
Level B & C protection. B - Pressure demand, full face SCBA or pressure demand supplied air respirator w/ escape SCBA w/chemical resistant clothing. C - Full face piece, air purifying canister-equipped respirator w/chemical resistant clothing.	EN-324-HW220-Z1B 3/24/2008	\$49.34	\$66.11	\$82.87	H H H H H H H D Y
Level D Coveralls, safety boots, glasses or chemical splash goggles and hard hats.	EN-324-HW220-Z1D 3/24/2008	\$48.04	\$64.16	\$80.27	H H H H H H H D Y
Level D When Capping Landfill Coveralls, safety boots, glasses or chemical splash goggles and hard hats.	EN-324-HW220-Z1DCL 3/25/2008	\$47.79	\$63.78	\$79.77	H H H H H H H D Y
Operating Engineer Hazardous Waste Regular Crane, Job Mechanic, Dragline Operator, Boom Truck Operator, Power Shovel Operator and Concrete Pump with boom					
Level D When Capping Landfill Coveralls, safety boots, glasses or chemical splash goggles and hard hats.	EN-324-HWRC-Z1DCL 3/25/2008	\$45.19	\$59.88	\$74.57	H H H H H H H D Y
Operating Engineer Hazardous Waste Regular Crane, Job Mechanic, Dragline Operator, Boom Truck Operator, Power Shovel Operator and Concrete Pump with Boom Operator					
Level D - Coveralls, safety boots, glasses or chemical splash goggles and hard hats.	EN-324-HWRC-Z1D 5/23/2008	\$46.06	\$61.19	\$76.31	H H H H H H H D Y
Operating Engineer Hazardous Waste Regular Crane, Job Mechanic, Dragline Operator, Boom Truck Operator, Power Shovel Operator and Concrete Pump with booms					
Level B & C protection. B - Pressure demand, full face SCBA or pressure demand supplied air respirator w/ escape SCBA w/chemical resistant clothing. C - Full face piece, air purifying canister-equipped respirator w/chemical resistant clothing.	EN-324-HWRC-Z1B 3/24/2008	\$47.36	\$63.14	\$78.91	H H H H H H H D Y

Official Request #: 792
 Requestor: TROY SCHOOL DISTRICT
 Project Description: FLAGPOLE REPLACEMENT
 Project Number: DISTRICT WIDE
 County: Oakland

Official Rate Schedule
 Every contractor and subcontractor shall keep posted on the construction site, in a conspicuous place, a copy of all prevailing wage and fringe benefit rates prescribed in a contract.

Official 2008 Prevailing Wage Rates for State Funded Projects

Issue Date: 5/28/2008

Contract must be awarded by: 8/26/2008

Page 15 of 22

Classification Name Description	Last Updated	Straight Hourly	Time and a Half	Double Time	Overtime Provision
Operating Engineer Hazardous Waste Regular Crane, Job Mechanic, Dragline Operator, Boom Truck Operator, Power Shovel Operators and Concrete Pump with booms					
Level A - Fully encapsulating chemical resistant suit w/ pressure demand, full face piece SCBA or pressure demand supplied air respirator w/ escape SCBA. The highest available level of respiratory, skin and eye	EN-324-HWRC-Z1A 4/3/2008	\$48.31	\$64.56	\$80.81	H H H H H H D Y
Operating Engineer Steel Work					
Forklift, 1 Drum Hoist	EN-324-ef 4/2/2008	\$51.96	\$69.75	\$87.53	H H D H H H D D Y
Crane w/ 120' boom or longer	EN-324-SW120 4/2/2008	\$53.51	\$72.07	\$90.63	H H D H H H D D Y
Crane w/ 120' boom or longer w/ Oiler	EN-324-SW120-O 4/2/2008	\$54.51	\$73.57	\$92.63	H H D H H H D D Y
Crane w/ 140' boom or longer	EN-324-SW140 4/2/2008	\$54.69	\$73.84	\$92.99	H H D H H H D D Y
Crane w/ 140' boom or longer W/ Oiler	EN-324-SW140-O 4/2/2008	\$55.69	\$75.34	\$94.99	H H D H H H D D Y
Boom & Jib 220' or longer	EN-324-SW220 4/2/2008	\$54.96	\$74.25	\$93.53	H H D H H H D D Y
Crane w/ 220' boom or longer w/ Oiler	EN-324-SW220-O 4/2/2008	\$55.96	\$75.75	\$95.53	H H D H H H D D Y
Boom & Jib 300' or longer	EN-324-SW300 4/2/2008	\$56.46	\$76.50	\$96.53	H H D H H H D D Y
Crane w/ 300' boom or longer w/ Oiler	EN-324-SW300-O 4/2/2008	\$57.46	\$78.00	\$98.53	H H D H H H D D Y
Boom & Jib 400' or longer	EN-324-SW400 4/2/2008	\$57.96	\$78.75	\$99.53	H H D H H H D D Y
Crane w/ 400' boom or longer w/ Oiler	EN-324-SW400-O 4/2/2008	\$58.96	\$80.25	\$101.53	H H D H H H D D Y

Official Request #: 792

Requestor: TROY SCHOOL DISTRICT
Project Description: FLAGPOLE REPLACEMENT

Project Number: DISTRICT WIDE
County: Oakland

Official Rate Schedule

Every contractor and subcontractor shall keep posted on the construction site, in a conspicuous place, a copy of all prevailing wage and fringe benefit rates prescribed in a contract.

Official 2008 Prevailing Wage Rates for State Funded Projects

Issue Date: 5/28/2008

Contract must be awarded by: 8/26/2008

Page 16 of 22

Classification Name Description	Last Updated	Straight Hourly	Time and a Half	Double Time	Overtime Provision
Crane Operator, Job Mechanic, 3 Drum Hoist & Excavator	EN-324-SWCO 4/2/2008	\$53.15	\$71.53	\$89.91	H H D H H H D D Y
Apprentice Rates:					
0-999 hours		\$42.03	\$54.90	\$67.77	
1,000-1,999 hours		\$43.87	\$57.66	\$71.45	
2,000-2,999 hours		\$45.71	\$60.42	\$75.13	
3,000-3,999 hours		\$47.54	\$63.17	\$78.79	
4,000-4,999 hours		\$49.38	\$65.93	\$82.47	
5,000 hours		\$51.22	\$68.69	\$86.15	
Crane w/ Oiler	EN-324-SWCO-O 4/2/2008	\$54.15	\$73.03	\$91.91	H H D H H H D D Y
Compressor or Welder Operator	EN-324-SWCW 4/2/2008	\$45.70	\$60.36	\$75.01	H H D H H H D D Y
Hoisting Operator, 2 Drum Hoist, & Rubber Tire Backhoe	EN-324-SWHO 4/2/2008	\$52.51	\$70.57	\$88.63	H H D H H H D D Y
Oiler	EN-324-SWO 4/2/2008	\$44.29	\$58.24	\$72.19	H H D H H H D D Y
Tower Crane & Derrick where work is 50' or more above first level	EN-324-SWTD50 4/2/2008	\$54.24	\$73.17	\$92.09	H H D H H H D D Y
Tower Crane & Derrick 50' or more w/ Oiler where work station is 50' or more above first level	EN-324-SWTD50-O 4/2/2008	\$55.24	\$74.67	\$94.09	H H D H H H D D Y
Operating Engineer Underground					
Class I Equipment	EN-324A1-UC1 10/8/2007	\$44.84	\$59.33	\$73.82	H H H H H H H D Y
Apprentice Rates:					
0-999 hours		\$36.05	\$46.20	\$56.34	
1,000-1,999 hours		\$37.50	\$48.37	\$59.24	
2,000-2,999 hours		\$38.94	\$50.53	\$62.12	
3,000-3,999 hours		\$40.39	\$52.71	\$65.02	
4,000-4,999 hours		\$41.84	\$54.88	\$67.92	
5,000-5,999 hours		\$43.29	\$57.06	\$70.82	
Class II Equipment	EN-324A1-UC2 10/8/2007	\$40.11	\$52.24	\$64.36	H H H H H H H D Y
Class III Equipment	EN-324A1-UC3 10/8/2007	\$39.38	\$51.14	\$62.90	H H H H H H H D Y
Class IV Equipment	EN-324A1-UC4 10/8/2007	\$38.81	\$50.29	\$61.76	H H H H H H H D Y

Official Request #: 792
 Requestor: TROY SCHOOL DISTRICT
 Project Description: FLAGPOLE REPLACEMENT
 Project Number: DISTRICT WIDE
 County: Oakland

Official Rate Schedule
Every contractor and subcontractor shall keep posted on the construction site, in a conspicuous place, a copy of all prevailing wage and fringe benefit rates prescribed in a contract.

Official 2008 Prevailing Wage Rates for State Funded Projects

Issue Date: 5/28/2008

Contract must be awarded by: 8/26/2008

Page 17 of 22

Classification Name Description	Last Updated	Straight Hourly	Time and a Half	Double Time	Overtime Provision
Master Mechanic	EN-324A1-UMM 10/8/2007	\$45.09	\$59.71	\$74.32	H H H H H H D Y

Painter

Painter (8 hours of repaint work performed on Sunday shall be paid time & one half rate)	PT-22-P 5/26/2006	\$38.01	\$50.24	\$62.47	H H D H D D D D N
--	----------------------	---------	---------	---------	-------------------

Apprentice Rates:

First 6 months	\$25.78	\$31.89	\$38.01
Second 6 months	\$29.45	\$37.40	\$45.35
Third 6 months	\$30.67	\$39.23	\$47.79
Fourth 6 months	\$31.89	\$41.06	\$50.23
Fifth 6 months	\$33.12	\$42.91	\$52.69
Final 6 months	\$34.34	\$44.73	\$55.13

Sandblasting & spraywork performed, on highway bridges, overpasses, tanks or steel, OR spraywork & sandblasting done with a scaffold height of 40' above the floor level	PT-22-S 6/1/2006	\$38.81	\$51.44	\$64.07	H H D H D D D D N
--	---------------------	---------	---------	---------	-------------------

Pipefitter

Pipefitter	PF-636 6/1/2007	\$55.06	\$74.14	\$89.96	H H D H D D D D N
------------	--------------------	---------	---------	---------	-------------------

Apprentice Rates:

1st & 2nd periods	\$26.28	\$34.63	\$41.63
3rd period	\$28.28	\$37.63	\$45.63
4th period	\$29.53	\$39.51	\$48.13
5th period	\$30.78	\$41.38	\$50.63
6th period	\$32.03	\$43.25	\$53.13
7th period	\$33.28	\$45.13	\$55.63
8th period	\$34.28	\$46.63	\$57.63
9th period	\$35.28	\$48.13	\$59.63
10th period	\$36.71	\$50.27	\$62.49

Plasterer

Plasterer	BR1P 12/19/2007	\$42.89	\$64.34	\$85.78	H H H H H H D N
-----------	--------------------	---------	---------	---------	-----------------

Apprentice Rates:

1st 6 months	\$21.97	\$32.96	\$43.94
2nd 6 months	\$25.46	\$38.19	\$50.92
3rd 6 months	\$28.95	\$43.42	\$57.90
4th 6 months	\$32.43	\$48.65	\$64.86
5th 6 months	\$35.92	\$53.88	\$71.84
6th 6 months	\$39.40	\$59.10	\$78.80

Official Request #: 792

Requestor: TROY SCHOOL DISTRICT

Project Description: FLAGPOLE REPLACEMENT

Project Number: DISTRICT WIDE

County: Oakland

Official Rate Schedule

Every contractor and subcontractor shall keep posted on the construction site, in a conspicuous place, a copy of all prevailing wage and fringe benefit rates prescribed in a contract.

Official 2008 Prevailing Wage Rates for State Funded Projects

Issue Date: 5/28/2008

Contract must be awarded by: 8/26/2008

Page 18 of 22

Classification Name Description	Last Updated	Straight Hourly	Time and a Half	Double Time	Overtime Provision
Plasterer	PL67	\$42.87	\$58.16	\$73.45	H H H X D D D D N

6/4/2007

Apprentice Rates:

1st 6 months	\$24.52	\$30.63	\$36.75
2nd 6 months	\$27.58	\$35.23	\$42.87
3rd 6 months	\$30.64	\$39.81	\$48.99
4th 6 months	\$33.70	\$44.41	\$55.11
5th 6 months	\$36.75	\$48.98	\$61.21
6th 6 months	\$39.81	\$53.57	\$67.33

Plumber

Plumber	PL-98	\$53.68	\$71.45	\$87.21	H H D H D D D D Y
---------	-------	---------	---------	---------	-------------------

6/20/2007

Apprentice Rates:

Period 1	\$17.11	\$23.41	\$29.71
Period 2	\$17.11	\$23.41	\$29.71
Period 3	\$26.78	\$35.13	\$43.47
Period 4	\$27.41	\$36.07	\$44.73
Period 5	\$28.57	\$37.81	\$47.05
Period 6	\$29.72	\$39.53	\$49.35
Period 7	\$30.87	\$41.26	\$51.65
Period 8	\$32.04	\$43.01	\$53.99
Period 9	\$33.19	\$44.74	\$56.29
Period 10	\$34.35	\$46.48	\$58.61

Roofer

Commercial Roofer	RO-149-WOM	\$46.81	\$60.92	\$75.02	H H D H H H D D N
-------------------	------------	---------	---------	---------	-------------------

Straight time is not to exceed ten (10) hours per day or forty (40) hours per week.

9/4/2007

Apprentice Rates:

Apprentice 1	\$30.97	\$39.16	\$47.34
Apprentice 2	\$35.15	\$43.42	\$51.70
Apprentice 3	\$36.57	\$45.56	\$54.54
Apprentice 4	\$37.60	\$47.10	\$56.60
Apprentice 5	\$38.82	\$48.93	\$59.04
Apprentice 6	\$40.22	\$51.03	\$61.84

Official Request #: 792

Requestor: TROY SCHOOL DISTRICT

Project Description: FLAGPOLE REPLACEMENT

Project Number: DISTRICT WIDE

County: Oakland

Official Rate Schedule

Every contractor and subcontractor shall keep posted on the construction site, in a conspicuous place, a copy of all prevailing wage and fringe benefit rates prescribed in a contract.

Official 2008 Prevailing Wage Rates for State Funded Projects

Issue Date: 5/28/2008

Contract must be awarded by: 8/26/2008

Page 19 of 22

Classification Name Description	Last Updated	Straight Hourly	Time and a Half	Double Time	Overtime Provision
Sheet Metal Worker					
Sheet Metal Worker	SHM-80	\$55.37	\$73.66	\$91.95	H H D H D D D D Y
	10/2/2007				
Apprentice Rates:					
First Year		\$36.96	\$46.34	\$55.71	
Second Year		\$38.37	\$48.45	\$58.53	
Third Year		\$39.80	\$50.60	\$61.39	
Fourth Year		\$42.65	\$54.87	\$67.09	
Fifth Year		\$45.52	\$59.18	\$72.83	
Siding & Decking					
Siding & Decking	SHM-80-SD	\$37.10	\$49.16	\$61.22	H H H H H H H D Y
	10/1/2007				
Sprinkler Fitter					
Sprinkler Fitter	SP 704	\$55.92	\$75.26	\$94.60	H H D H D D D D Y
	12/5/2007				
Apprentice Rates:					
1st Period		\$22.82	\$30.55	\$38.29	
2nd Period		\$34.65	\$43.36	\$52.06	
3rd Period		\$36.58	\$46.25	\$55.92	
4th Period		\$38.51	\$49.14	\$59.78	
5th Period		\$40.45	\$52.06	\$63.66	
6th Period		\$42.38	\$54.95	\$67.52	
7th Period		\$44.32	\$57.86	\$71.40	
8th Period		\$46.25	\$60.76	\$75.26	
9th Period		\$48.18	\$63.65	\$79.12	
10th Period		\$50.12	\$66.56	\$83.00	
Terrazzo					
Terrazzo Finisher	TT32-TRF	\$39.97	\$50.50	\$61.03	H H D H D D D D N
	7/25/2007				
Apprentice Rates:					
Level 1		\$20.29	\$26.40	\$32.50	
Level 2		\$21.00	\$27.46	\$33.92	
Level 3		\$24.60	\$31.17	\$37.73	
Level 4		\$25.94	\$33.17	\$40.41	
Level 5		\$27.31	\$34.76	\$42.20	
Level 6		\$28.78	\$36.40	\$44.02	
Level 7		\$30.32	\$38.32	\$46.32	
Level 8		\$31.68	\$39.94	\$48.20	

Official Request #: 792
 Requestor: TROY SCHOOL DISTRICT
 Project Description: FLAGPOLE REPLACEMENT
 Project Number: DISTRICT WIDE
 County: Oakland

Official Rate Schedule
 Every contractor and subcontractor shall keep posted on the construction site, in a conspicuous place, a copy of all prevailing wage and fringe benefit rates prescribed in a contract.

Official 2008 Prevailing Wage Rates for State Funded Projects

Issue Date: 5/28/2008

Contract must be awarded by: 8/26/2008

Page 20 of 22

Classification Name Description	Last Updated	Straight Hourly	Time and a Half	Double Time	Overtime Provision
Terrazzo Worker	TT32-TRW	\$45.29	\$58.48	\$71.67	H H D H D D D D N
	7/25/2007				
Apprentice Rates:					
Level 1		\$24.76	\$31.75	\$38.73	
Level 2		\$27.55	\$35.28	\$43.01	
Level 3		\$30.40	\$38.42	\$46.44	
Level 4		\$32.90	\$41.81	\$50.72	
Level 5		\$35.00	\$44.31	\$53.61	
Level 6		\$38.34	\$49.13	\$59.91	
Level 7		\$39.44	\$50.63	\$61.83	
Level 8		\$40.29	\$51.91	\$63.53	
Tile					
Tile Finisher	TT32-TF	\$39.59	\$49.93	\$60.27	H H D H D D D D N
	7/25/2007				
Apprentice Rates:					
Level 1		\$19.20	\$24.76	\$30.32	
Level 2		\$20.30	\$26.41	\$32.52	
Level 3		\$24.57	\$31.12	\$37.67	
Level 4		\$25.91	\$33.13	\$40.35	
Level 5		\$27.28	\$34.71	\$42.14	
Level 6		\$28.75	\$36.56	\$44.36	
Level 7		\$30.29	\$38.15	\$46.01	
Level 8		\$31.65	\$39.77	\$47.89	
Tile Layer	TT32-TL	\$45.19	\$58.33	\$71.47	H H D H D D D D N
	7/25/2007				
Apprentice Rates:					
Level 1		\$24.76	\$31.75	\$38.73	
Level 2		\$27.55	\$35.28	\$43.01	
Level 3		\$30.40	\$38.42	\$46.44	
Level 4		\$32.90	\$41.81	\$50.72	
Level 5		\$34.95	\$44.10	\$53.26	
Level 6		\$38.29	\$49.05	\$59.81	
Level 7		\$38.89	\$49.81	\$60.73	
Level 8		\$39.74	\$51.09	\$62.43	
Truck Driver					
on all trucks of 8 cubic yard capacity or less	TM-RB1	\$34.76	\$36.44		H H H H H H H H Y
	7/24/2007				
of all trucks of 8 cubic yard capacity or over	TM-RB1A	\$34.86	\$36.59		H H H H H H H H Y
	7/24/2007				
on euclid type equipment	TM-RB1B	\$35.01	\$36.81		H H H H H H H H Y
	7/24/2007				
Official Request #: 792					
Requestor: TROY SCHOOL DISTRICT					
Project Description: FLAGPOLE REPLACEMENT					
Project Number: DISTRICT WIDE					
County: Oakland					

Official Rate Schedule

Every contractor and subcontractor shall keep posted on the construction site, in a conspicuous place, a copy of all prevailing wage and fringe benefit rates prescribed in a contract.

Official 2008 Prevailing Wage Rates for State Funded Projects

Issue Date: 5/28/2008

Contract must be awarded by: 8/26/2008

Page 21 of 22

Classification Name Description	Last Updated	Straight Hourly	Time and a Half	Double Time	Overtime Provision
Underground Laborer Open Cut, Class I					
Construction Laborer	LAUC-Z1-1	\$33.39	\$44.07	\$54.75	H H H H H H D Y
	9/6/2007				
Apprentice Rates:					
0-1,000 work hours	\$28.59	\$36.87	\$45.15		
1,001-2,000 work hours	\$29.55	\$38.31	\$47.07		
2,001-3,000 work hours	\$30.51	\$39.75	\$48.99		
3,001-4,000 work hours	\$32.43	\$42.63	\$52.83		
Underground Laborer Open Cut, Class II					
Mortar and material mixer, concrete form man, signal man, well point man, manhole, headwall and catch basin builder, guard rail builders, headwall, seawall, breakwall, dock builder and fence erector.	LAUC-Z1-2	\$33.50	\$44.24	\$54.97	H H H H H H D Y
	9/6/2007				
Apprentice Rates:					
0-1,000 work hours	\$28.68	\$37.01	\$45.33		
1,001-2,000 work hours	\$29.64	\$38.45	\$47.25		
2,001-3,000 work hours	\$30.60	\$39.89	\$49.17		
3,001-4,000 work hours	\$32.54	\$42.80	\$53.05		
Underground Laborer Open Cut, Class III					
Air, gasoline and electric tool operator, vibrator operator, drillers, pump man, tar kettle operator, bracers, rodder, reinforced steel or mesh man (e.g. wire mesh, steel mats, dowel bars, etc.), cement finisher, welder, pipe jacking and boring man, wagon drill and air track operator and concrete saw operator (under 40 h.p.), windlass and tugger man, and directional boring man.	LAUC-Z1-3	\$33.55	\$44.31	\$55.07	H H H H H H D Y
	9/6/2007				
Apprentice Rates:					
0-1,000 work hours	\$28.71	\$37.05	\$45.39		
1,001-2,000 work hours	\$29.68	\$38.51	\$47.33		
2,001-3,000 work hours	\$30.65	\$39.97	\$49.27		
3,001-4,000 work hours	\$32.58	\$42.86	\$53.13		
Underground Laborer Open Cut, Class IV					
Trench or excavating grade man.	LAUC-Z1-4	\$33.63	\$44.43	\$55.23	H H H H H H D Y
	9/6/2007				
Apprentice Rates:					
0-1,000 work hours	\$28.77	\$37.15	\$45.51		
1,001-2,000 work hours	\$29.74	\$38.60	\$47.45		
2,001-3,000 work hours	\$30.72	\$40.07	\$49.41		
3,001-4,000 work hours	\$32.66	\$42.98	\$53.29		

Official Request #: 792
 Requestor: TROY SCHOOL DISTRICT
 Project Description: FLAGPOLE REPLACEMENT
 Project Number: DISTRICT WIDE
 County: Oakland

Official Rate Schedule
 Every contractor and subcontractor shall keep posted on the construction site, in a conspicuous place, a copy of all prevailing wage and fringe benefit rates prescribed in a contract.

Official 2008 Prevailing Wage Rates for State Funded Projects

Issue Date: 5/28/2008

Contract must be awarded by: 8/26/2008

Page 22 of 22

<u>Classification</u>	Name	Description	Last Updated	Straight Hourly	Time and a Half	Double Time	Overtime Provision
Underground Laborer Open Cut, Class V							
	Pipe Layer		LAUC-Z1-5 9/6/2007	\$33.69	\$44.52	\$55.35	H H H H H H D Y
		Apprentice Rates:					
		0-1,000 work hours	\$28.82	\$37.22	\$45.61		
		1,001-2,000 work hours	\$29.79	\$38.67	\$47.55		
		2,001-3,000 work hours	\$30.77	\$40.15	\$49.51		
		3,001-4,000 work hours	\$32.72	\$43.07	\$53.41		
Underground Laborer Open Cut, Class VI							
	Grouting man, top man assistant, audio visual television operations and all other operations in connection with closed circuit television inspection, pipe cleaning and pipe relining work and the installation and repair of water service pipe and appurtenances.		LAUC-Z1-6 9/6/2007	\$31.14	\$40.70	\$50.25	H H H H H H D Y
		Apprentice Rates:					
		0-1,000 work hours	\$26.90	\$34.34	\$41.77		
		1,001-2,000 work hours	\$27.75	\$35.61	\$43.47		
		2,001-3,000 work hours	\$28.60	\$36.89	\$45.17		
		3,001-4,000 work hours	\$30.29	\$39.43	\$48.55		
Underground Laborer Open Cut, Class VII							
	Restoration laborer, seeding, sodding, planting, cutting, mulching and topsoil grading and the restoration of property such as replacing mail boxes, wood chips, planter boxes, flagstones etc.		LAUC-Z1-7 9/6/2007	\$27.76	\$35.63	\$43.49	H H H H H H D Y
		Apprentice Rates:					
		0-1,000 work hours	\$24.37	\$30.55	\$36.71		
		1,001-2,000 work hours	\$25.05	\$31.57	\$38.07		
		2,001-3,000 work hours	\$25.73	\$32.59	\$39.43		
		3,001-4,000 work hours	\$27.08	\$34.61	\$42.13		

Official Request #: 792
 Requestor: TROY SCHOOL DISTRICT
 Project Description: FLAGPOLE REPLACEMENT
 Project Number: DISTRICT WIDE
 County: Oakland

Official Rate Schedule
 Every contractor and subcontractor shall keep posted on the construction site, in a conspicuous place, a copy of all prevailing wage and fringe benefit rates prescribed in a contract.

ENGINEERS - CLASSES OF EQUIPMENT LIST

UNDERGROUND ENGINEERS

CLASS I

Backfiller Tamper, Backhoe, Batch Plant Operator, Clam-Shell, Concrete Paver (2 drums or larger), Conveyor Loader (Euclid type), Crane (crawler, truck type or pile driving), Dozer, Dragline, Elevating Grader, End Loader, Gradall (and similar type machine), Grader, Power Shovel, Roller (asphalt), Scraper (self propelled or tractor drawn), Side Broom Tractor (type D-4 or larger), Slope Paver, Trencher (over 8' digging capacity), Well Drilling Rig, Mechanic, Slip Form Paver, Hydro Excavator.

CLASS II

Boom Truck (power swing type boom), Crusher, Hoist, Pump (1 or more 6" discharge or larger gas or diesel powered by generator of 300 amps or more, inclusive of generator), Side Boom Tractor (smaller than type D-4 or equivalent), Tractor (pneu-tired, other than backhoe or front end loader), Trencher (8' digging capacity and smaller), Vac Truck.

CLASS III

Air Compressors (600 cfm or larger), Air Compressors (2 or more less than 600 cfm), Boom Truck (non-swinging, non-powered type boom), Concrete Breaker (self-propelled or truck mounted, includes compressor), Concrete Paver (1 drum, ½ yard or larger), Elevator (other than passenger), Maintenance Man, Mechanic Helper, Pump (2 or more 4" up to 6" discharge, gas or diesel powered, excluding submersible pump), Pumpcrete Machine (and similar equipment), Wagon Drill Machine, Welding Machine or Generator (2 or more 300 amp or larger, gas or diesel powered).

CLASS IV

Boiler, Concrete Saw (40HP or over), Curing Machine (self-propelled), Farm Tractor (w/attachment), Finishing Machine (concrete), Firemen, Hydraulic Pipe Pushing Machine, Mulching Equipment, Oiler (2 or more up to 4", exclude submersible), Pumps (2 or more up to 4" discharge if used 3 hrs or more a day-gas or diesel powered, excluding submersible pumps), Roller (other than asphalt), Stump Remover, Vibrating Compaction Equipment (6' wide or over), Trencher (service) Sweeper (Wayne type and similar equipment), Water Wagon, Extend-a-Boom Forklift.

HAZARDOUS WASTE ABATEMENT ENGINEERS

CLASS I

Backhoe, Batch Plant Operator, Clamshell, Concrete Breaker when attached to hoe, Concrete Cleaning Decontamination Machine Operator, Concrete Pump, Concrete Paver, Crusher, Dozer, Elevating Grader, Endloader, Farm Tractor (90 h.p. and higher), Gradall, Grader, Heavy Equipment Robotics Operator, Hydro Excavator, Loader, Pug Mill, Pumpcrete Machines, Pump Trucks, Roller, Scraper (self-propelled or tractor drawn), Side Boom Tractor, Slip Form Paver, Slope Paver, Trencher, Ultra High Pressure Waterjet Cutting Tool System Operator, Vactors, Vacuum Blasting Machine Operator, Vertical Lifting Hoist, Vibrating Compaction Equipment (self-propelled), and Well Drilling Rig.

CLASS II

Air Compressor, Concrete Breaker when not attached to hoe, Elevator, End Dumps, Equipment Decontamination Operator, Farm Tractor (less than 90 h.p.), Forklift, Generator, Heater, Mulcher, Pigs (Portable Reagent Storage Tanks), Power Screens, Pumps (water), Stationary Compressed Air Plant, Sweeper, Water Wagon and Welding Machine.

Revised: 05/23/08



STATE OF MICHIGAN

JENNIFER M. GRANHOLM
GOVERNOR

DEPARTMENT OF LABOR & ECONOMIC GROWTH
LANSING

KEITH W. COOLEY
DIRECTOR

Michigan Department of Labor & Economic Growth *Wage & Hour Division*
OVERTIME PROVISIONS for MICHIGAN PREVAILING WAGE RATE SCHEDULE

1. Overtime is represented as a nine character code. Each character represents a certain period of time after the first 8 hours Monday thru Friday.

	Monday thru Friday	Saturday	Sunday & Holidays
First 8 Hours		4	8
9th Hour	1	5	
10th Hour	2	6	
Over 10 hours	3	7	

Overtime for Monday thru Friday after 8 hours:

the 1st character is for time worked in the 9th hour (8.1 - 9 hours)
the 2nd character is for time worked in the 10th hour (9.1 - 10 hours)
the 3rd character is for time worked beyond the 10th hour (10.1 and beyond)

Overtime on Saturday:

the 4th character is for time worked in the first 8 hours on Saturday (0 - 8 hours)
the 5th character is for time worked in the 9th hour on Saturday (8.1 - 9 hours)
the 6th character is for time worked in the 10th hour (9.1 - 10 hours)
the 7th character is for time worked beyond the 10th hour (10.01 and beyond)

Overtime on Sundays & Holidays

The 8th character is for time worked on Sunday or on a holiday
The last character indicates if an optional 4-day 10-hour per day workweek can be worked without paying overtime after 8 hours worked.

2. Overtime Indicators Used in the Overtime Provision:

H - means TIME AND ONE-HALF due
X - means TIME AND ONE-HALF due after 40 HOURS worked
D - means DOUBLE PAY due
Y - means YES an optional 4-day 10-hour per day workweek can be worked without paying overtime after 8 hours worked
N - means NO an optional 4-day 10-hour per day workweek *can not* be worked without paying overtime after 8 hours worked

3. EXAMPLES:

HHHHHHHDN - This example shows that the 1½ rate must be used for time worked after 8 hours Monday thru Friday (characters 1 - 3); for all hours worked on Saturday, 1½ rate is due (characters 4 - 7). Work done on Sundays or holidays must be paid double time (character 8). The N (character 9) indicates that 4 ten-hour days is not an acceptable workweek at regular pay.

XXXHHHHDY - This example shows that the 1½ rate must be used for time worked after 40 hours are worked Monday thru Friday (characters 1-3); for hours worked on Saturday, 1½ rate is due (characters 4 - 7). Work done on Sundays or holidays must be paid double time (character 8). The Y (character 9) indicates that 4 ten-hour days is an acceptable alternative workweek. (REV 01/15/08)

**Troy School District
Flagpole Removal/Installation
Bid 9537**

	<u>Flagpoles Etc.</u>	<u>American Flag & Banner</u>	<u>American Flag & Banner</u>	<u>Skanska USA</u>
Bemis Elementary	\$ 3,100.00	Alternate ECX30 \$ 2,579.50	\$ 3,204.50	\$ 7,503.00
Boulan Park M.S.	3,100.00	2,646.00	3,270.00	7,506.00
Costello Elementary	3,100.00	2,646.00	3,271.00	7,502.00
Hamilton Elementary	3,100.00	2,513.00	3,138.00	7,531.00
Leonard Elementary	3,100.00	2,513.00	3,138.00	8,380.00
Martell Elementary	3,100.00	2,646.00	3,271.00	7,506.00
Morse Elementary	3,100.00	2,513.00	3,138.00	9,066.00
Wass Elementary	3,100.00	2,579.50	3,204.50	7,506.00
	\$ 24,800.00	\$ 20,636.00	\$ 25,635.00	\$ 62,500.00 <u>(4,800.00)</u> 57,700.00

Old Glory Flags: No Bid
 Rocket Enterprises: No Response
 Muskegon Awning: No Response
 Alta Flag & Supply: No Response
 Flags n' More: No Response

*Deduct \$4,800 if all
schools awarded*